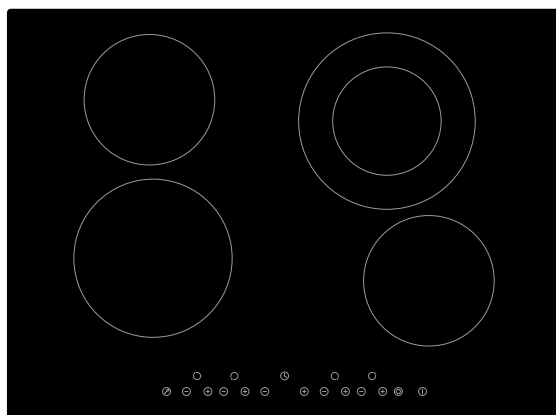


Instruction Manual



Model:OC70TZ

Dear customer,

Thank you for purchasing an Omega ceramic cooktop.

We hope that this product gives you many years of satisfaction.

Please read the instruction manual very carefully before installing, and using.

We suggest that you keep this manual in an easily accessible place after you have read it.

Thank you again for purchasing an Omega ceramic cooktop.

Product Introduction

The microcomputer ceramic cooker hob can meet different kinds of cuisine demands because of resistance wire heating, micro-computerized control and multi-power selection, really the optimal choice for modern families.

The ceramic cooker hob centers on customers and adopts personalized design. The hob has safe and reliable performances, making your life comfortable and enabling to fully enjoy the pleasure from life.

Safety

This hob was specially designed for domestic use.

In its constant search to improve its products,we reserves the right to modify any technical,programme or aesthetic aspects of the appliance at any time.

■ High temperature protection

The temperature sensor mounted on the heating element monitor the temperature inside the cooker from time to time,When an excessive temperature is detected,the heating element will be stop power output.

■ Residual heat warning

When the hob has been operating for some time,there will be some residual heat.The leteer "H"appears to warn you to keep away from it.

■ Auto shutdown

Another safety feature of the hob is auto shutdown.This occurs whenever you forget to switch off a cooking zone.The default shutdown times are shown in the table below:

Power level	1	2	3	4	5	6	7	8	9
Default working timer(hour)	8	8	8	4	4	4	2	2	2

Installation

■ Selection of installation equipment

Drill holes on the table surface according to the sizes shown in the drawing. For the purpose of installation and use, a minimum of 5 cm space shall be preserved around the hole.

Be sure the thickness of the table surface is at least 30mm. Please select heat-resistant table material to avoid larger deformation caused by the heat radiation from the hotplate.

As shown in Figure (1)

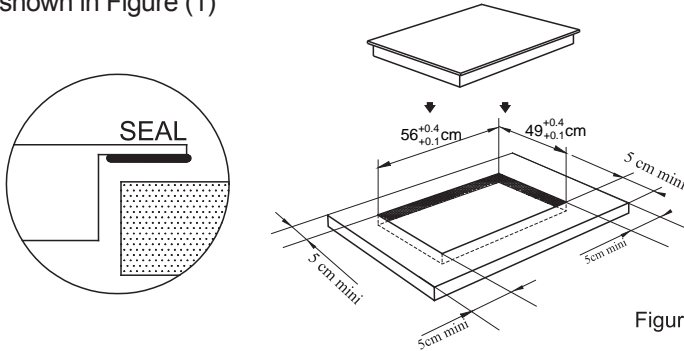


Figure (1)

Under any circumstances, make sure the ceramic cooker hob is well ventilated and the air inlet and outlet are not blocked. Ensure the ceramic cooker hob is in good work state. As shown in Figure (2)

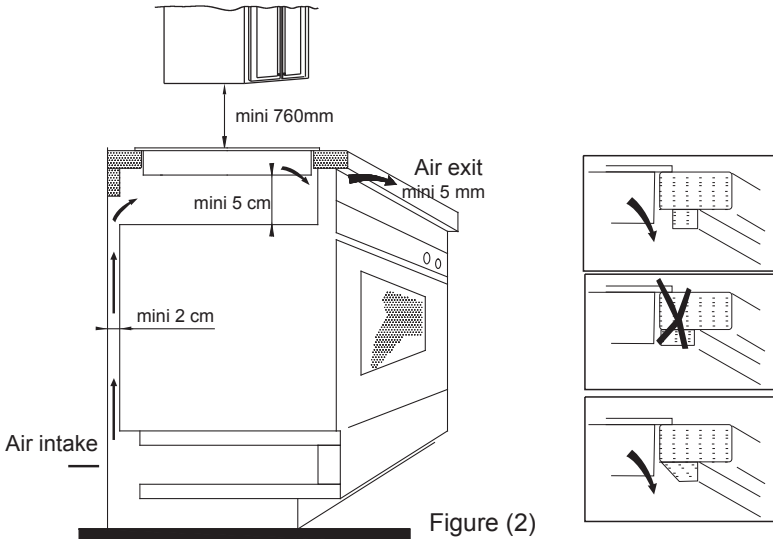
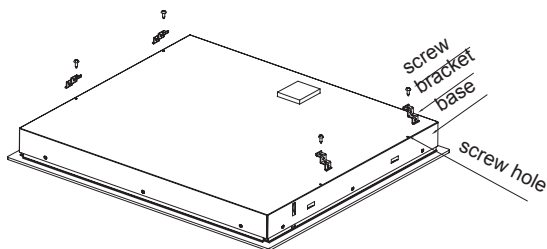


Figure (2)

Note: The safety distance between the ceramic hob and the cupboard above the hotplate should be at least 760mm.

Fix the hob on the table by screw four brackets on the bottom of hob (see picture) after installation. Adjust the bracket position to suit for different table top thickness.



■ Cautions

1. The ceramic cooker hob must be installed by qualified personnel or technicians. We have professionals at your service. Please never conduct the operation by yourself.
2. The ceramic cooker hob shall not be mounted to cooling equipment, dishwashers and rotary dryers.
3. The ceramic cooker hob shall be installed such that better heat radiation can be ensured to enhance its reliability.
4. The wall and induced heating zone above the table surface shall withstand heat.
5. To avoid any damage, the sandwich layer and adhesive must be resistant to heat.
6. A steam cleaner is not to be used.
7. A board is must to be installed underneath the hob.

■ Connection to power supply

The socket should be connected in compliance with the relevant standard, or a single-pole circuit breaker. the method of connection is shown in Figure (3)

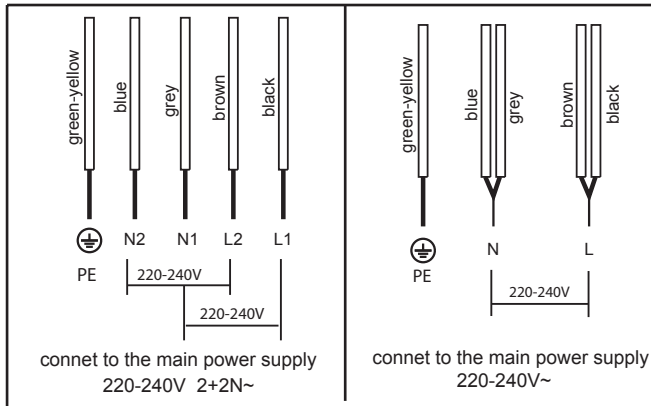
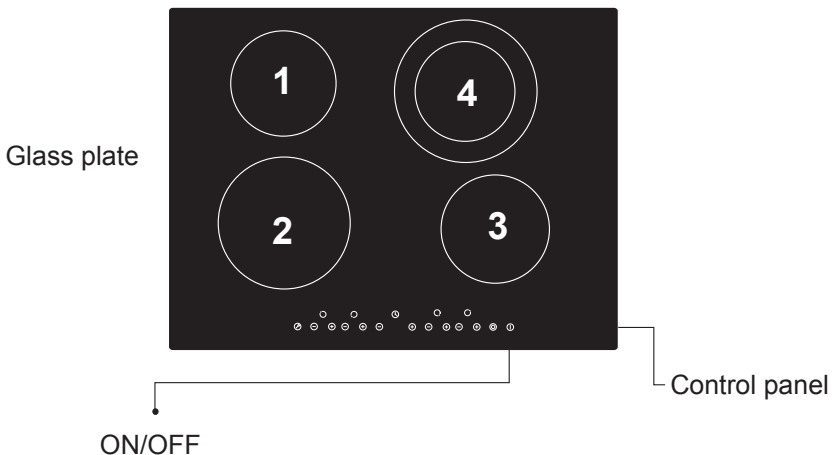


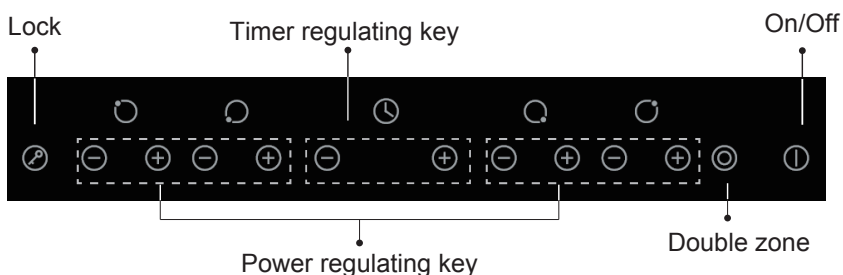
Figure (3)

1. If the cable is damaged or needs replacing, this should be done by an after-sales technician using the proper tools, so as to avoid any accidents.
2. If the appliance is being connected directly to the mains supply, an omnipolar circuit breaker must be installed with a minimum gap of 3mm between the contacts.
3. The installer must ensure that the correct electrical connection has been made and that it complies with safety regulations.
4. The cable must not be bent or compressed.
5. The cable must be checked regularly and only replaced by a properly qualified person.

The ceramic cooker hob appearance



Schematic diagram of the control panel



Instructions for Use

Preparation before using

When the power is switched on, the buzzer will sound once and all the indicators will come on for one second and go out. The hob is now in standby mode. Place the pan in the centre of the cooking zone.

Press the “ⓘ” key to turn on the hob, then the power indicators show “-” and the timer indicators show “--”, the hob is now ready for heating. Then press the “-” or “+” key for the corresponding cooking zone where there is a pan on it, the relevant hotplate starts heating. Its corresponding cooking zone indicator flashes “5” five seconds, when the other indicators show “-”. Select the power level by pressing the “-” or “+” key for the relevant hotplate.

Note:

1. When the “ⓘ” key is pressed, the hob returns to standby mode if no other operation is carried out within one minute.
2. Every cooking zone is independent of each other.

Double zone function

The hob is fitted with double zone

Active the double zone

If you want to use a bigger heating zone, press the “⊙” when the hob is in working mode.

Deactive the double zone

Press the “⊙” when the hob is working with double zone.

Note:

1. This function is available only in the right back heating zone.
2. You can select the function from level 1 to level 9.

3. When the heating zone is in double loop working mode, the double loop indicator shows "P".
4. You can select the size of the heating zone according to the size of the pot.

Timer function

Cooking timer

First select the cooking zone by press the "-" or "+" of the relevant heating zone, then the cooking zone display flashing. Then adjust timer by pressing "-" or "+" of timer, the timer is confirmed after the timer indicator flashing 5 seconds, a red dot display at corresponding cooking zone indicator, it reminds you a cooking timer have been setted on this cooking zone. When cooking timer expires, the corresponding cooking zone will be switch off automatically.

Note: Cooking timer only works for one cooking zone at the same time.

Minute Reminder

Timer can be used as a minute reminder.

Press "+" or "-" of timer, the timer indicator flashes "00", adjust timer by pressing "+" or "-" of timer. When the time is setted, the timer indicator will stop flashing after 5 seconds, minutes reminder starts. Buzzer will beep for 30 seconds and the timer indicator shows "--" when the setting time finished, the work state will not be affected by the minute reminder.

Timing cancellation

Press "+" and "-" of timer simultaneously, the timer cancelled automatically, and the timer indicator shows "--".

Lock Function

To ensure the safety of children, the hob is fitted with an lock device

Active the lock function

Press the "🔒", the hob then goes into lock mode, the timer shows "LO" and the rest of the keys are disabled except the ON/OFF keys.

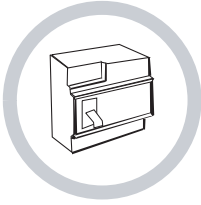
Deactivating the lock function

Hold down the "🔒" for several seconds and the hob will return to normal working.

The power of each heating zone are shown as follow:

Heating zone	1	2	3	4	
				Inner	double
Power	1200W	1800W	1200W	1000W	2200W

Safety Reminding and Maintenance



A dedicated power protection air switch with protection air switch must be incorporated in the fixed wiring in accordance with the wiring rules.



Never use the ceramic cooker hob in high temperature environments such as near a gas stove or kerosene stove.



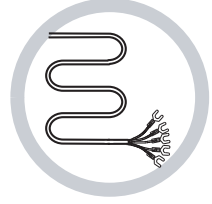
Do not put any detergents or flammable materials in the equipment installed under the ceramic cooker hob.



Metallic objects such as knives, forks, spoons and lids should not be placed on the hotplate since they can get hot.



For sealed foods such as canned goods, please do not heat them before opening their covers so as to avoid any dangers of explosion due to heating expansion.



If the supply cord is damaged, it must be replaced by the manufacturer, its service agent or similarly qualified persons in order to avoid a hazard.



Do not place rough or uneven appliances, which may damage the ceramic surface.



If the surface is cracked, switch off the appliance to avoid the possibility of electric shock.



Never wash the induction cooker with water directly to avoid danger.



Never have the ceramic cooker hob to work without food inside, otherwise its operational performance may be affected and danger may happen.



After being used for a long time, the corresponding heating zone of the ceramic cooker hob is still hot. Never touch the ceramic surface to avoid burning.



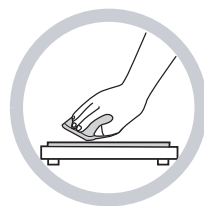
Keep electrical appliance out of reach from children or inform person. Do not let them use the appliances without supervision.



DISPOSAL: Do not dispose this product as unsorted municipal waste. Collection of such waste separately for special treatment is necessary.



Indoor use only.



Clean the ceramic cooker hob on a regular basis to prevent foreign matters from entering the fan thus influencing the normal operation.

This appliance is not intended for use by persons (including children) with reduced physical, sensory or mental capabilities, or lack of experience and knowledge, unless they have been given supervision or instruction, concerning the use of the appliance by a person responsible for their safety.

This appliance is intended to be used in household and similar applications such as: staff kitchen areas in shops, offices and other working environments; farm houses; by clients in hotels, motels and other residential type environments; bed and breakfast type environments.

The adult should supervise children to make sure children can not play with the appliance.

Cleanness and Maintenance

You can easily clean the surface of the ceramic cooker hob if following the methods given in the table.

Type of contamination	Method of cleaning	Articles used for cleaning
Light	Clean with hot water and damp sponge	Cleaning sponge
Accumulation of dirt	Clean with hot water and abrasive sponge	Special cleaning sponge for ceramic glass
Rings and lime crumbles	Apply white vinegar to the polluted zone, then wipe it dry with soft cloth or a special article available in local markets	Special adhesive for ceramic glass
Sweetmeat, melt aluminum or plastics	Use a scraper suitable for ceramic glass (to protect glass, a silicon product is preferred) to remove residuals	Special adhesive for ceramic glass

Hint: please disconnect power before the cleaning.

Maintenance Service Warranty

For any failure of the product, please contact the special maintenance department or the customer service center.

1. There is a year's guarantee with this the brand ceramic cooker hob.
2. The period of warranty shall start from the date on which the invoice is issued.
3. Any one of the following cases is without the warranty:
 - Damages caused by improper use, storage and maintenance of the consumer.
 - Damages caused by unauthorized disassembly and repair in the maintenance department not designated by the company. Model of invoice and model of product maintained are not in conformity or are altered.
 - Valid invoice can not be presented.
 - Damages caused by force majeure.
 - Using the ceramic cooker hob for commercial purposes.

Special Declaration

All the contents in this material have been subjected to careful check. For any mistake and omission in printing or misunderstanding of the contents, the company keeps the right of interpretation.

Addition: any technical improvement will be placed in the revised manual without notice; for product appearance and color is according to the actual one
