



FREESTANDING SINGLE UNITS

SKes 4210



LIEBHERR

Quality, Design and Innovation

LIEBHERR FREESTANDING SINGLE REFRIGERATOR SKes 4210



Smart Steel

3 Year Warranty



Model	SKes 4210
Type Finish	FS SmartSteel [®]
Energy consumption (kWh/yr) Star rating	279kWh 2.5
Compressors	1
Total capacity litres (L) - Gross Net	405 391
Refrigerator gross (L) Refrigerator net (L)	405 391
MagicEye control system Display	SoftTouch LCD
Child proof setting for display & temp.	•
LED standard lighting	•
SlimLine handle - integrated opening device	•
Door open warning signal	•
Malfunction warning signal	•

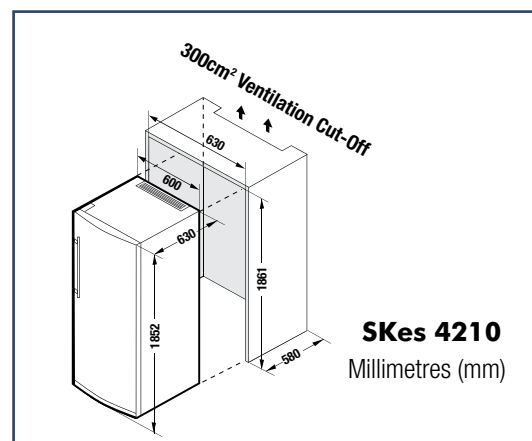
Refrigerator Features

Fruit & vegetable drawer on telescopic rails	2
SuperCool	•
GlassLine shelves	•
Elegant holding columns	•
Removable VarioBoxes	•
Bottle shelf Egg tray	• •
Automatic refrigerator defrosting	•

Technical Information

Default hinge	Right
Voltage (V) Rated Input Power (W)	220-240 192
Made in	Germany

KEY: FS = Freestanding, [®] = SmartSteel is only on doors. Cavity clearance for freestanding units please allow min. 50 mm above the unit if there is no ventilation cut-out.



Whilst every effort is made to ensure all specifications and information in this flyer are correct at time of printing, Andi-Co Australia Pty. Ltd. reserve the right to make changes without notification. Where actual appliance measurements, specifications and ratings are crucial, we recommend that the actual appliance installation instructions that accompany each appliance be checked. Andi-Co Australia will not be liable for any loss.