



# OWNER'S MANUAL

# LG CORDLESS

# HANDY-STICK CLEANER

This manual contains important information and instructions for the safe use and maintenance of the vacuum cleaner. Please read all of the information on page 3, 4, 5 for your safety. Please keep this manual in an easily accessible place for future reference.

VS84\*\* Series



MFL67983102

[www.lg.com](http://www.lg.com)

# Table of contents

<b>Important safety instructions</b> .....	<b>3~5</b>
<b>Components and functions</b> .....	<b>6</b>
<b>How to use</b> .....	<b>7~15</b>
Assembling vacuum cleaner .....	7
Assembling Charger .....	8
Using the Product .....	9~11
Charging .....	12
Cleaning Dust bin .....	13
Assembling Dust bin .....	14
Cleaning Nozzle .....	15
<b>Troubleshooting Guide</b> .....	<b>16</b>

## IMPORTANT SAFETY INSTRUCTIONS

Read and follow all instructions before using your vacuum cleaner to prevent the risk of fire, electrical shock, personal injury, or damage when using the vacuum cleaner. This guide does not cover all possible conditions that may occur. Always contact your service agent or manufacturer about problems that you do not understand. This appliance complies with the following EC Directives :-2006/95/EC Low Voltage Directive -2004/108/EC EMC Directive.



This is the safety alert symbol.

This symbol alerts you to potential hazards that can kill or hurt you and others.

All safety messages will follow the safety alert symbol and either the word "WARNING" or "CAUTION."

These words mean:



**WARNING**

This symbol will alert you to hazards or unsafe practices which could cause serious bodily harm or death.



**CAUTION**

This symbol will alert you to hazards or unsafe practices which could cause bodily injury or property damage.



**WARNING**

1. This appliance is not intended for use by persons (including children) with reduced physical, sensory or mental capabilities, or lack of experience and knowledge, unless they have been given supervision or instruction concerning use of the appliance by a person responsible for their safety.
2. Children should be supervised to ensure that they do not play with the appliance.
3. If the supply cord is damaged, it must be replaced by LG Electronics Service Agent in order to avoid a hazard.
4. This appliance can be used by children aged from 8 years and above and persons with reduced physical, sensory or mental capabilities or lack of experience and knowledge if they have been given supervision or instruction concerning use of the appliance in a safe way and understand the hazards involved. Children shall not play with the appliance. Cleaning and user maintenance shall not be made by children without supervision.

## IMPORTANT SAFETY INSTRUCTIONS

### WARNING

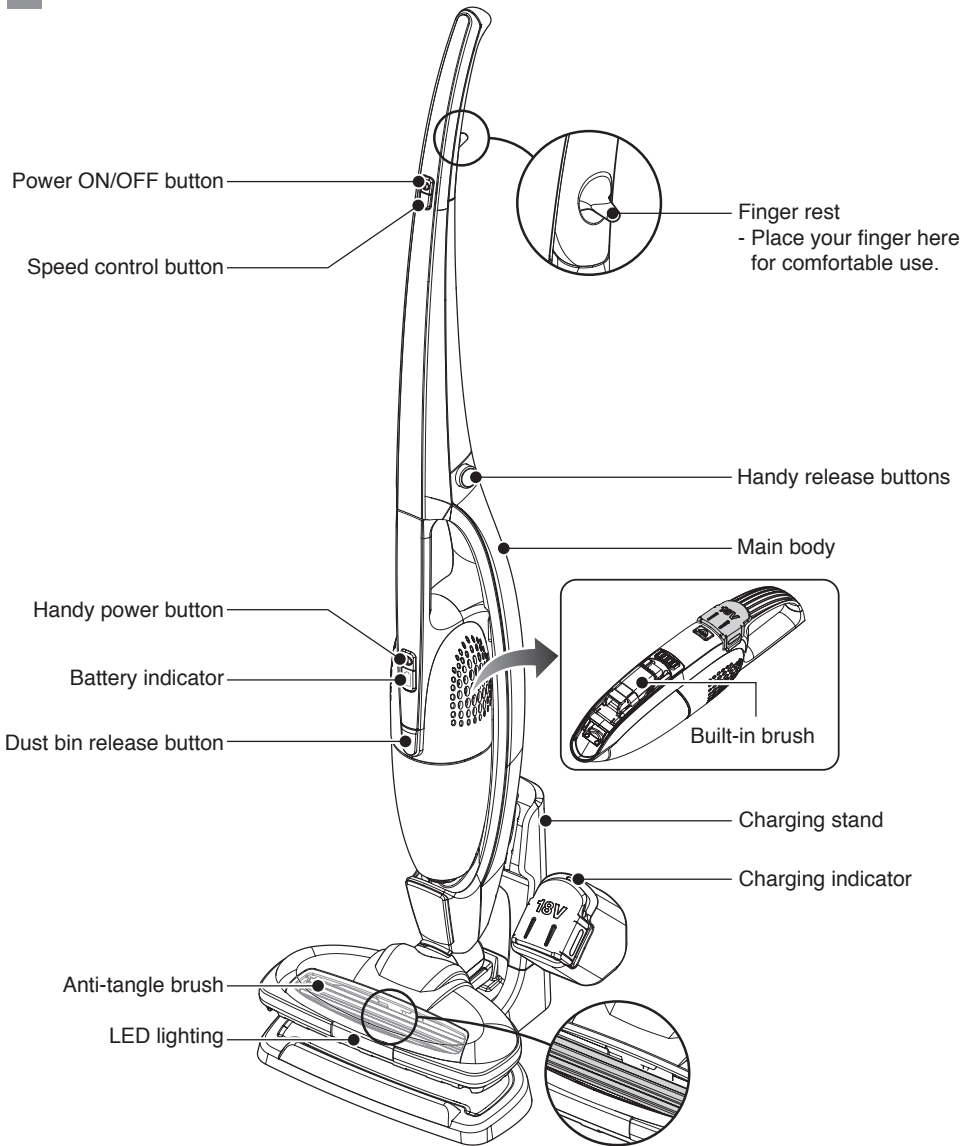
- **This appliance is designed for normal indoor domestic use only. It is not to be used for any office or commercial application.**
- **No one other than a repair technician shall disassemble or modify the product.**  
It may cause fire or electrical shock.
- **Do not spray combustible materials such as gasoline or solvents, or surfactants such as detergents or bathing goods, or drinks near the cleaner and its charging stand.**  
It can cause an explosion or fire.
- **Do not allow the power cord to be crushed, kinked or cut by heavy objects.**  
Using a damaged cord or plug could cause fire or electrical shock. When the power cord is damaged, it is dangerous, so please have the cord replaced by an authorised service center.
- **Do not let liquid such as water enter the product, and do not use the unit to pick up liquids, sharp pointy objects, or hot embers.**  
It causes fire or electrical shock.  
If water accidentally enters the unit, immediately turn off the power switch of the main body, pull out the power plug, and contact LG Electronics Service Agent to avoid hazard.
- **Do not insert pins or sharp pointy utensils into or around the cleaner or its charging stand.**  
There is a risk of electrical shock.
- **Do not use the appliance if gas odors can be detected. Unplug the unit and provide ventilation to avoid possible dangers.**  
There is a risk of fire or explosion.
- **Make sure that the unit is plugged into a wall socket over 10amp and not overloaded.**  
Overloading of any wall socket can cause fires and product malfunction.
- **Do not use the appliance if the power cord or socket is in any way loose or damaged.**  
It can cause fire or electrical shock.
- **Do not operate the appliance with the suction inlet or outlet blocked.**  
It may cause deformation of main body or fire by overheating.
- **Do not operate the cleaner while dust bin is taken out.**  
There is a risk of product damage or electrical shock injury.
- **Do not place power cord and the product near heating devices.**  
It can cause deformation of main body, malfunction, or fire.
- **Be careful that your fingers do not touch the pins when you pull out the plug from the mains outlet.**  
It can cause electrical shock.
- **Do not allow children or pets to play with the product or use the product as a toy.**  
It can cause personal injury and damage to the unit.
- **Do not handle the plug with wet hands.**  
It may cause electrical shock.
- **Do not clean the inlet with water and then use immediately without sufficiently drying the components first.**  
It may cause electrical shock and malfunction.
- **When you clean the exterior, make sure to pull out the power plug, and do not wash with harsh or abrasive solutions.**  
It can cause electrical shock and exterior damage.
- **Do not place hands into the intake while the appliance is operating. Allow the unit to stop operating and disconnect from the wall socket to avoid any personal injury.**
- **Do not wash the exterior of inlet or bottom surface with water or detergent. Use only a damp cleaning cloth.**  
It may damage product or cause electrical shock.
- **If the supply cord is damaged, it must be replaced by the manufacturer, its authorised service agent or similarly qualified persons in order to avoid a hazard.**
- **Do not use the product at a place subject to lots of industrial oil fumes or metal particulates.**  
Doing so can cause fire or product failure.
- **Do not use the product at a place subject to leakage or probable leakage of combustible gases.**  
It may result in fire or explosion.
- **Do not disassemble the battery.**  
There is a risk of fire or electric shock.
- **Do not expose product to heat or fire. Do not expose product direct sunlight.**  
There is a risk of fire and explosion.
- **Do not physically impact the battery.**  
There is a risk of fire and explosion.
- **Charge the unit only with the specified Charging Station. Do not use the Charging Station for any other purpose other than its intended purpose.**  
Failing to do so can result in a fire or serious damage.
- **If any liquid leaks from the batteries, avoid contact with the skin or eyes. If you touched the liquid, wash contact area with plenty of water and get medical attention.**  
There is a risk of burns and blindness.

## IMPORTANT SAFETY INSTRUCTIONS

### CAUTION

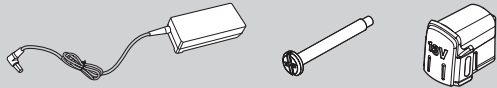
- **Do not use this cleaner on anything other than rated voltage.**  
It may cause fire and unrepairable product damage.
- **If the product is not in use for a long period of time, pull out the power plug.**
- **Static Electricity may be generated at main body during the cleaning.**  
Cleaner may malfunction due to electrostatic energy, so pull out the power cord and put it back in again.
- **Big objects such as socks, stocking, tissues, etc., may block the inlet during the cleaning, so please remove them before starting the cleaning.**  
This appliance must be used to remove dust only.
- **Do not stop on one spot or use it on the same spot repeatedly for a long time.**  
The surface may be damaged by the friction and vibration.
- **Do not touch the bottom surface with hand or foot while the appliance is in operation.**
- **Do not operate the appliance without the dust bin and its covers in place. Always ensure the dust bin is cleaned when it reaches its limit or beforehand.**  
If it is used continuously while dust bin is full, it will cause malfunction and overheating.
- **To avoid the risk of fire or electric shock, always grip it from the plug when removing. And never pull on the power cord when removing it from the wall socket.**
- **If a foreign object is attached to the bottom surface of dust bin, remove it before using the product.**  
It could compromise the suction motor and cause malfunction and damage.
- **Never use the product for removing toxic gases.**  
The product may fail, and toxic gases will not be removed.
- **Use or place the unit on a level surface and area and do not apply undue force to the unit when using it.**  
Doing so can cause fire or product failure.
- **If disposing the unit, it must be done correctly as it contains battery cells that can cause fire or explode if not disposed of correctly.**

## Components and functions



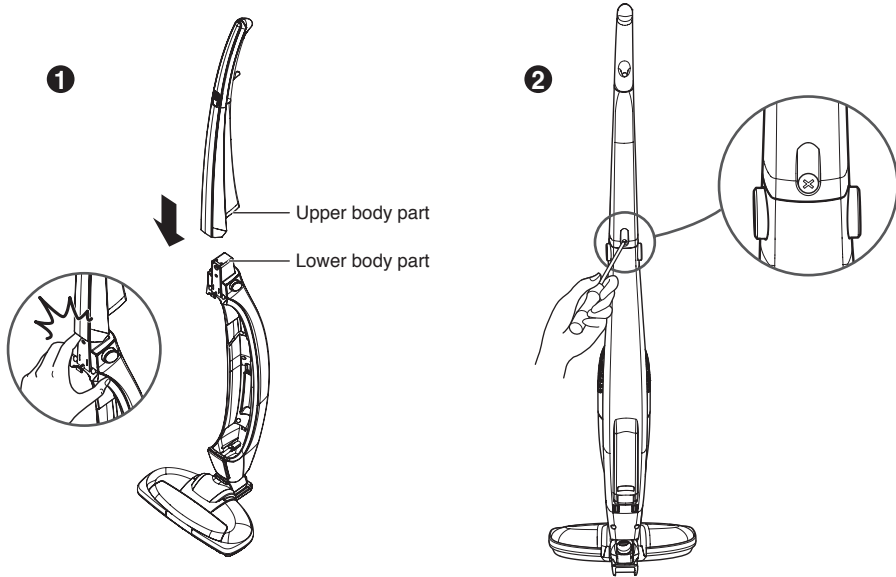
### Components:

Charger, Handle holding screw,  
Spare battery



# How to use

## Assembling vacuum cleaner



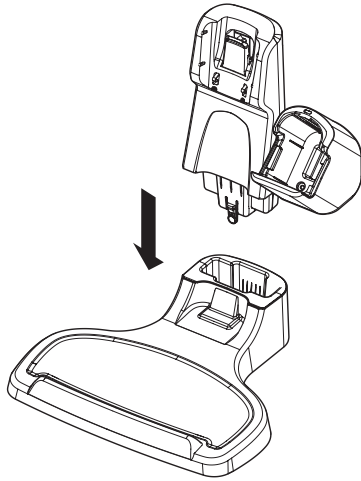
### ① Assembling the Upper and Lower body parts ② Fasten the fixing screw

Attach upper body part to the lower body part in arrow direction as shown in the figure.  
(When assembling the product, make sure not to get your finger stuck.)

There is a fixing hole on the rear side the product.  
Use the fixing screw provided with the product to assemble and secure upper and lower parts.

## How to use

### Assembling Charger

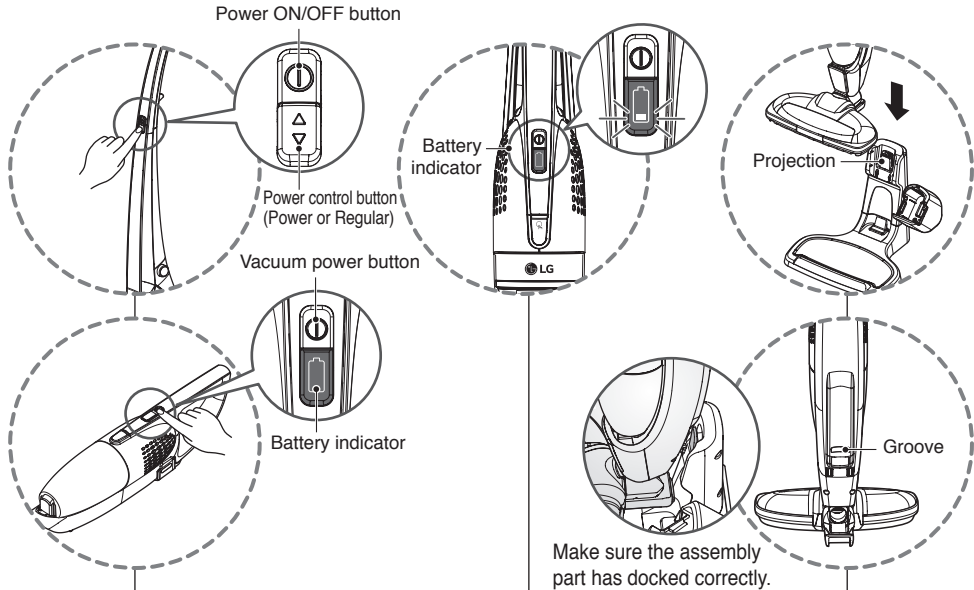


Insert the upper part of the charging stand to the base until you hear a “click” sound.



# How to use

## Using the Product



Press the power button to turn on the product.

- When you use the vacuum cleaner, select the motor speed with the speed control button.
- If the product doesn't work, check the battery indicator for a visual display.

Place the rear bottom of the main body on the charger as shown on the figure.

Make sure the assembly part has docked correctly.

Battery indicator shows remaining charge.

- A fully charged battery can last up to 20 minutes on the Power mode and up to 30 minutes on the Regular mode (depending on the floor type).
- When the battery power level is low, the battery indicator shows one blinking light, and then the power turns off soon after.

### **WARNING**

Do not use this cleaner to vacuum liquids. Vacuuming liquids will cause the unit to malfunction.

## How to use

### Using the Product



The anti-tangle brush is ideal for cleaning short-furred carpet or a normal timber floor surface.

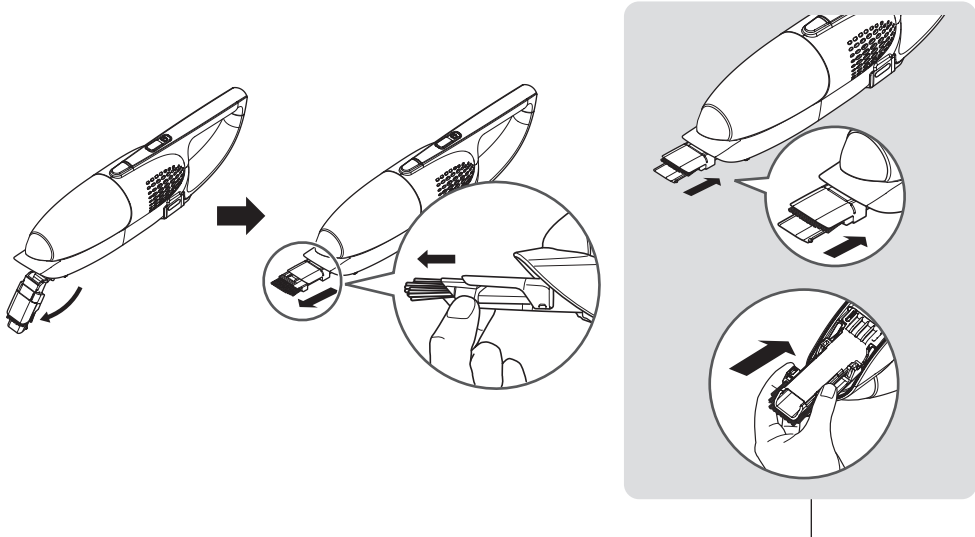
- ① It is not recommended to vacuum a carpet with long fur.
- ② If you vacuum a long piled carpet, it may cause the anti-tangle brush to stop rotating.
  - When the anti-tangle brush stops due to a motor overload, turn the vacuum cleaner off and on again to allow it to work again.
- ③ After you have finished using the vacuum, place the vacuum cleaner on the floor or on the charging stand.
  - If the product falls over due to improper placement when not in use, it may damage the unit or harm children or pets.

The Anti-hair brush motor is fitted with overload protection which stops the motor from rotating, to help prevent accidental injury or damage to tangled threads and fabrics.

# How to use

## Using the Product

For the convenience of the user, a built-in brush is attached to the hand held cleaner. When using the hand held cleaner alone, refer to the following instructions.



### Using built-in brush

Pull out the built-in brush until it secures into place at the bottom of the vacuum cleaner in the arrow direction.

Move the brush in the arrow direction until it is locked into place.

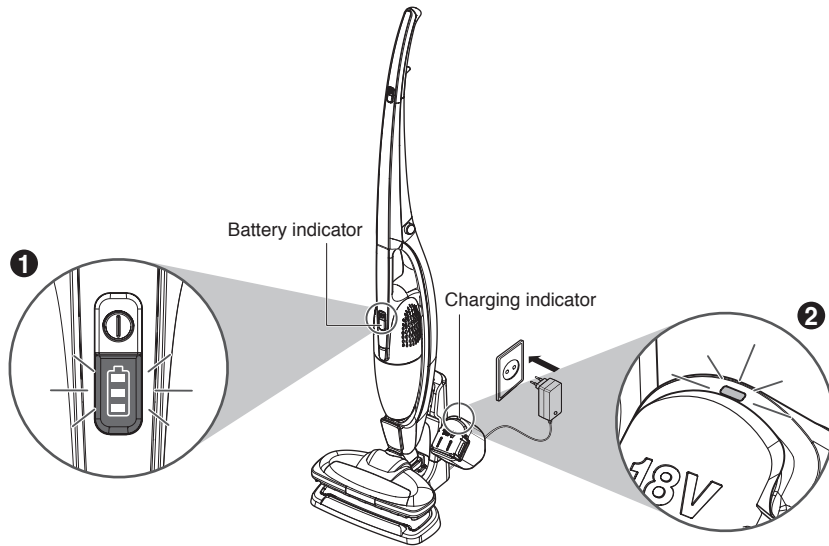
### Retracting the built-in brush

Firmly slide the built-in brush in the arrow direction.

Fold the built-in brush body back into the enclosure in the arrow direction.

# How to use

## Charging



**1** If the voltage gets low during operation, the power is automatically turned off to protect the battery.

You must then recharge the battery.

Before beginning the recharge, check that the hand held cleaner is properly docked to the main body, and then place it on the charging stand.

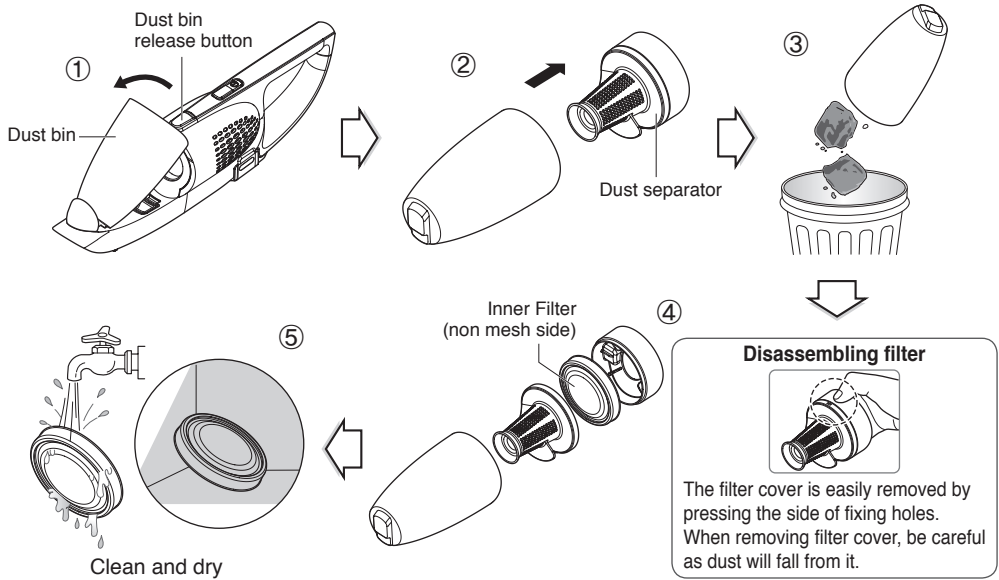
**2** The charging time may vary depending on the battery condition.

When the minimum amount of charge is left, it takes about 4.5 hours to fully charge the battery. (Charging one battery)

- The battery fitted to the vacuum cleaner is charged first, and then the battery attached to the charging stand is charged.
- While the hand held cleaner is charging, the battery indicator light blinks to show the charge amount.
- When the battery is fully charged, the hand held battery status indicator stays on.
- While the battery on the charging stand is charging, the single LED indicator on the charging stand will blink, and when the battery is fully charged, the LED will remain on.
- If the vacuum is not used for a long period of time, it is recommended to, remove the charging adaptor plug from the wall socket.
- To get a full charge for the two discharged batteries, it may take up to 9 hours.

# How to use

## Cleaning Dust bin



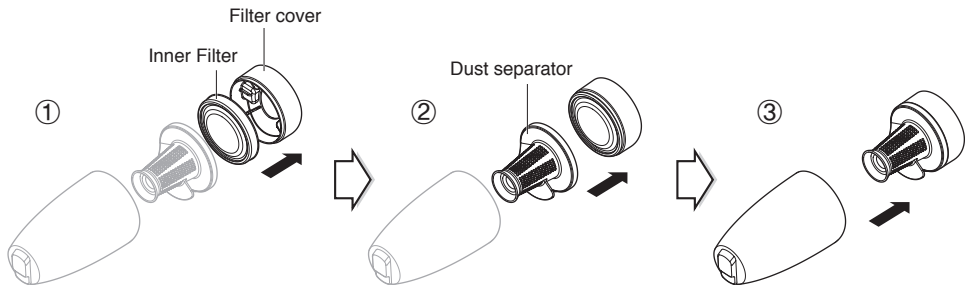
- ① To detach the dust bin, push and hold the release button and pull it in arrow direction.
- ② Detach the dust separator in arrow direction.
- ③ Empty the dust bin.
- ④ Disassemble the dust separator to clean the filter.  
(Beware that the dust that may fall off the filter in the process.)
- ⑤ Rinse the detached filter under water until the water runs clear and completely dry the filter in the shade.  
(Do not use hot water or detergent. They may cause deformation to the filter.)

### Helpful tip

- To maintain the vacuum cleaner, clean the filter once a week with a cleaning brush or by using another vacuum cleaner, and at least twice a month with water.  
(Frequent cleaning of the filter can help maintain its performance.)
- To maintain the best performance of your vacuum cleaner, empty the dust bin after every use.
- After cleaning the dust separator, be sure to put it back into the dust bin.
- Always use the vacuum cleaner with the dust separator assembled. If not, dust will be sucked into the main body and motor, causing a malfunction and damage to the vacuum cleaner.

## How to use

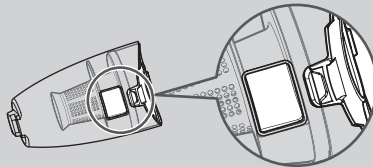
### Assembling Dust bin



- ① Attach the inner filter back onto the filter cover.
- ② Attach the dust separator back onto the filter cover.
- ③ Put the dust separator back into the dust bin.

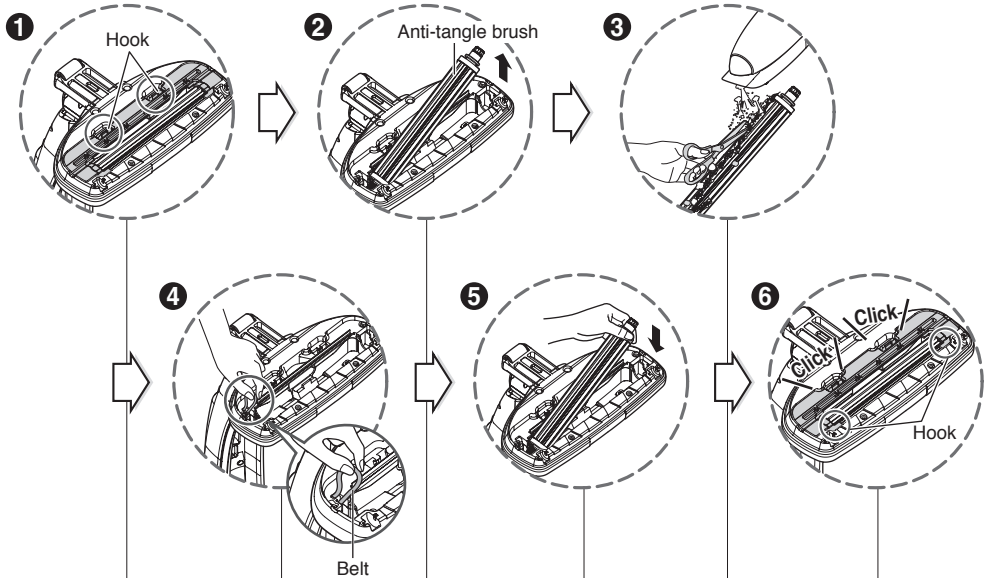
#### Helpful tip

- Refer to the following figure to assemble the filter cover, filter holder and dust bin by aligning in the right direction.



# How to use

## Cleaning Nozzle



**1** As showing in the figure, press the hook to release the anti-tangle brush cover.

**2** Lift the anti-tangle brush in the arrow direction and detach it from the drive belt.

**3** Clean the brush when brush is tangled with hairs and threads.  
- Use another vacuum cleaner to remove the hair and threads from the anti-tangle brush.  
- Use a pair of scissors to cut the hairs, threads etc. that have collected around the brush.  
(Do not use water to clean the brush.)

**4** Put the anti-tangle brush back onto the belt inside the vacuum nozzle.

**5** Secure the brush into the vacuum nozzle.

**6** Refit the brush cover until you hear a “click” sound.

### Helpful tip

- After cleaning or for replacement, assemble the anti-tangle brush properly in the opposite way of removal.
- Before beginning your cleaning, check the nozzle wheels and brush to see if other foreign objects are stuck in them.
- Remove the objects to protect the floor surface.

## Troubleshooting Guide

If there is an abnormality in the product, check the following items first before requesting for a service center or calling the store.

A service cost will be charged if the appliance has a user related malfunction, or no malfunction is found.

Following simple actions in the user manual may solve the problem.

CHECK	PLEASE PERFORM THE FOLLOWING ACTIONS
<b>Weak or no suction and vibration noise.</b>	<ul style="list-style-type: none"><li>• Check if inlet or dust bin is blocked by any foreign objects or debris that weaken the suction.</li><li>• Separate dust bin from the main body, and check if the filters are dirty.</li></ul>
<b>Cleaner is not working at all?</b>	<ul style="list-style-type: none"><li>• Check that the switch is turned on.</li><li>• Check if battery level is low.</li><li>• Check if the operation procedure is correct according to the instructions within this manual.</li></ul>
<b>Odor comes out of the cleaner?</b>	<ul style="list-style-type: none"><li>• Some odors are normal when the product is first operated and will diminish within 3 months of normal operation.</li><li>• Odors can also be caused by old dust in the dust bin and filters that has not been cleaned for some time. Empty, clean and wash the dust bin and filters thoroughly before reusing the appliance.</li></ul>
<b>Hot air comes out, and main body is hot?</b>	<ul style="list-style-type: none"><li>• The air coming out of the outlet holes may be warm because it is coming out after cooling the motor. This is normal.</li></ul>
<b>It only vibrates, and there is no suction.</b>	<ul style="list-style-type: none"><li>• Because of the suction motor overheat prevention device, this may occur when 1) dust bin is full, 2) filter or inlet is blocked, or 3) it is used for a long time. Allow the unit to rest and cool for at least 40 minutes before attempting to operate again.<ul style="list-style-type: none"><li>– Before using it again, clean the filter and dust bin.</li><li>– If the inlet is blocked, please remove the foreign object.</li></ul></li></ul>
<b>Adaptor cord is defective</b>	<ul style="list-style-type: none"><li>• The defective plug should be replaced by a qualified electrician.</li></ul>





#### **Disposal of your old appliance**

1. All electrical and electronic products should be disposed of separately from the municipal waste stream via designated collection facilities appointed by the government or the local authorities.
2. The correct disposal of your old appliance will help prevent potential negative consequences for the environment and human health.
3. For more detailed information about disposal of your old appliance, please contact your city office, waste disposal service or the shop where you purchased the product.



#### **Disposal of waste batteries/accumulators**

1. When this crossed-out wheeled bin symbol is attached to batteries/accumulators of Your product it means they are covered by European Directive 2006/66/CE.
2. This symbol may be combined with chemical symbols for mercury(Hg), cadmium(Cd) or lead(Pb) if the battery Contains more that 0.0005% of mercury, 0.002% of cadmium or 0.004% of lead.
3. All batteries/accumulators should be disposed separately from the municipal waste stream via designated collection facilities appointed by the government or the local authorities.
4. The correct disposal of Your old batteries/accumulators will help to prevent potential negative consequences for the environment, animal and human health.
5. For more detailed information about disposal of Your old batteries/accumulators, please contact Your city office, waste disposal service or the shop where You purchased the product.

# Note



# Note





Made in Korea