



JC906WMP Freestanding Cooker

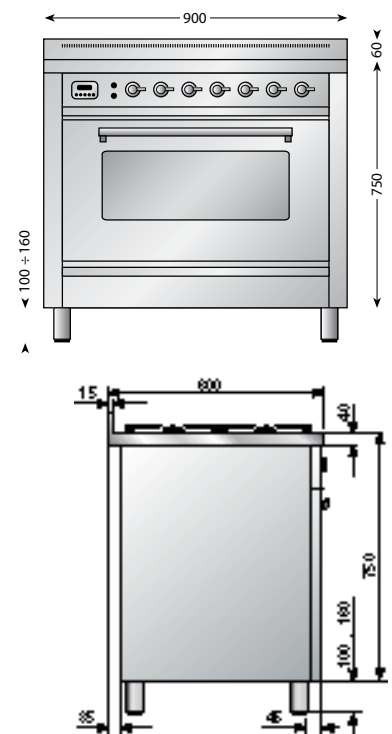
JC906WMP Freestanding Cooker Features

Oven

- Giant 110 Litre oven capacity with new turbowave quickstart preheating function 0°C–180°C in 8 minutes
- Pizza, bread and pastry cooking function
- Select 10 multifunction electric oven including rotisserie with grill element
- Inner door and control panel cooling fan
- Pre-programmable oven timer
- Removable oven door and inner door glass
- Easy clean non staining black vitreous enamel oven interior
- Catalytic cook and clean interior and double spill trays on floor of oven
- Triple door glazing for safer, cooler door temperatures

Cooktop

- Six burner cooktop
- Triple ring super wok all purpose burner, 2 small and 1 medium burners
- 2 small burners, 3 medium, 1 wok burner. All burners with infinite low simmer turn down control switched separately or used both together.
- Auto electronic one touch flame ignition to all gas burners
- Single pressed AS304 stainless steel hob with 40mm edging
- Easy clean seamless cooking surface
- Cast iron heavy duty commercial style trivets
- European A Class energy rating



Purchase ILVE genuine accessories for this model at the ILVE online store – www.ilve.com.au

NSW & ACT (Head Office)

48-50 Moore Street Leichhardt
T 02 8569 4600 F 02 8569 4699

VIC, TAS & SA

1211 Toorak Road Camberwell
T 03 9809 2122 F 03 9809 2155

QLD

1/42 Cavendish Road Coorparoo
T 07 3397 0900 F 07 3397 0850

WA & NT

Unit 10/55 Howe Street Osborne Park
T 08 9201 9299 F 08 9201 9188

DISCLAIMER

Eurolinx PTY LTD, trading as ILVE Appliances, is continually seeking ways to improve the design specifications, aesthetics and production techniques of its products. As a result alterations to our products and designs take place continually. Whilst every effort is made to produce information and literature that is up to date, this brochure should not be regarded as an infallible guide to the current specifications, nor does it constitute an offer for the sale of any particular product. Product dimensions indicated in our literature is indicative only. Actual product only should be used to define dimension cutouts. Distributors, and retailers are not agents of ILVE Appliances and are not authorized to bind ILVE Appliances by any express or implied undertaking or representation.