

## **Installation instructions**

BI453 and BI603 models

**Built-in oven**

**NZ AU**

# Safety and warnings

## **WARNING!**



### Cut Hazard

Take care - panel edges are sharp.

Failure to use caution could result in injury or cuts.

### ***Important!***

- ***To avoid hazard, follow these instructions carefully before installing or using this product.***
- ***Please make this information available to the person installing the product as it could reduce your installation costs.***
- ***This oven is to be installed and connected to the electricity supply only by an authorised person.***
- ***Installation must comply with your local building and electricity regulations.***
- ***Failure to install the oven correctly could invalidate any warranty or liability claims.***

### **Before you install the oven, please make sure that**

- A suitable disconnection switch is incorporated in the permanent wiring, mounted and positioned to comply with the local wiring rules and regulations. The switch must be of an approved type installed in the fixed wiring and provide a 3 mm air gap contact separation in all poles in accordance with the local wiring rules.  
In Australia and New Zealand, a switch of the approved type with a 3 mm air gap must be installed in the active (phase) conductor of the fixed wiring.
- The location of the oven connection socket (if fitted) is outside the cavity if the product is flush to the rear wall.
- The electrician allows at least 1.5 m free length of connection cable within the cavity for ease of installation and servicing of the product. **The mains cable should not touch any hot metal parts.** Note: the oven has a recess at the bottom rear to allow for the cable entry. The mains cable must enter the cavity in this recessed area.
- **The cavity is completely sealed with no gaps.** This allows the cooling air to vent correctly, under the oven and through the oven frame. If you do not seal the cavity, the surrounding cabinetry may overheat and become damaged.
- The benchtop and oven cavity are square and level, and are the required dimensions.
- The height from the floor suits the user.
- The oven door/s can open fully without obstruction.

### **When you install the oven**

- For ovens with cooktops, make sure that the controls connect to the correct heating elements.
- Do not seal the oven or cooktop into the cabinetry with silicone or glue. This makes future servicing difficult. Fisher & Paykel will not cover the costs of removing the oven or cooktop, or of damage caused by this removal.
- Fit the washers to the screws (supplied) and use them to secure the oven to the cabinetry. Do not over-tighten the screws. You could damage the oven frame enamel.
- Do not stand on the door, or place heavy objects on it.

# Contents

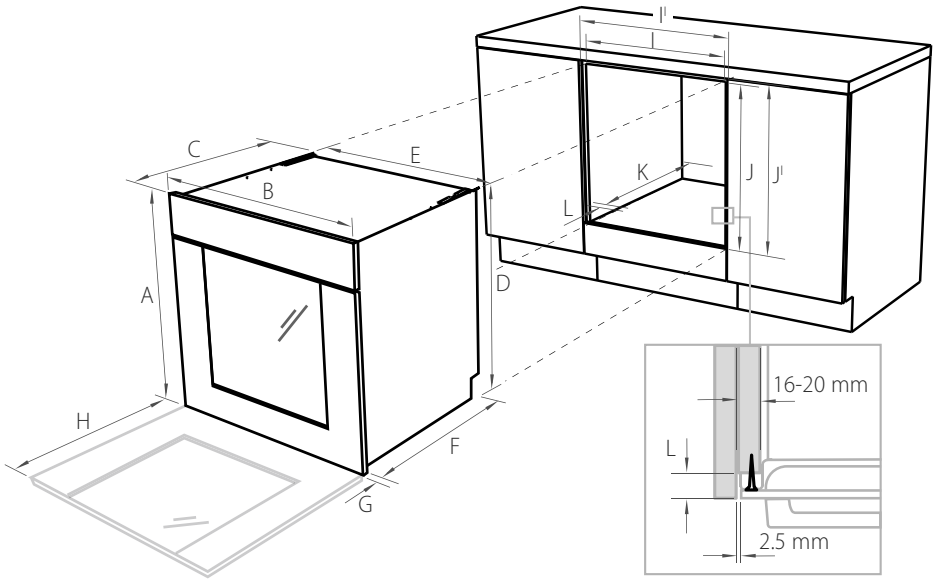
Product and cabinetry dimensions 2

Installing the oven 6

Installing the cooktop 7

***Important!***  
**SAVE THESE INSTRUCTIONS**

## Single oven models



Installation diagrams for illustration purposes only

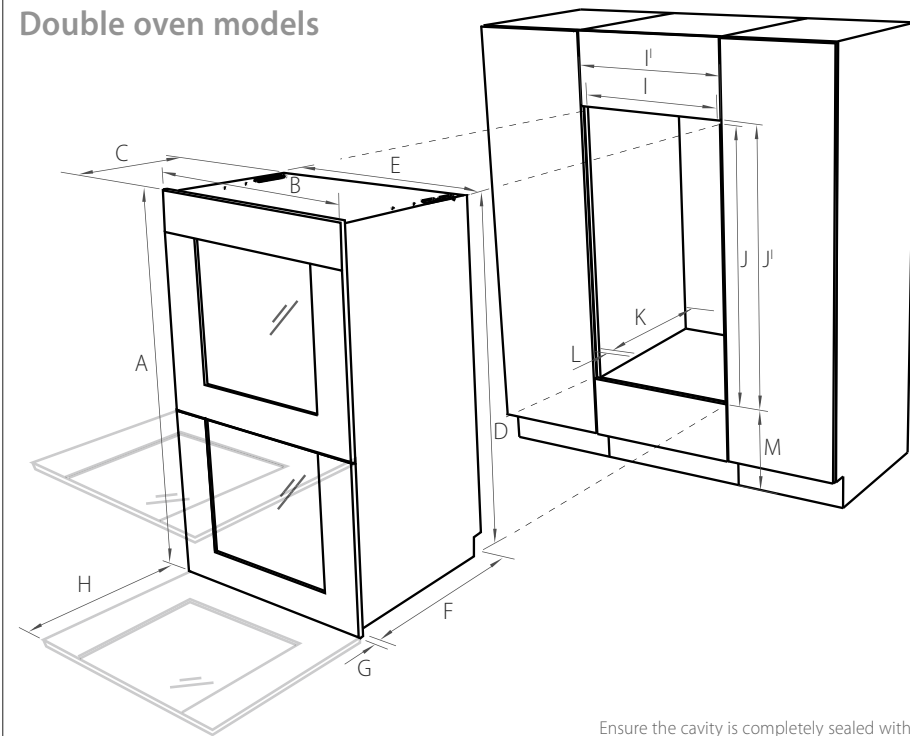
Ensure the cavity is completely sealed with no gaps

## Product and cabinetry dimensions (mm)

	B1453 models	B1603 models	
A	overall height of product	450	595
B	overall width of product	595	595
C	overall depth of product (without handle)	562	562
D	height of chassis	433	578
E	width of chassis	550	550
F	depth of chassis	542	542
G	depth of oven frame and control panel (excl. knobs)	20	20
H	depth of oven door (open) (measured from front of oven frame)	320	465
I	minimum inside width of cavity	560	560
I'	overall width of cavity	600	600
J	inside height of cavity	438	583
J'	overall height of cavity	455	600
K	minimum inside depth of cavity	550	550
L	flush fitting cabinetry clearance	20	20

Note: If installing a cooktop above the oven ensure adequate clearance is provided for the cooktop as per the cooktop manufacturer's instructions.

## Double oven models



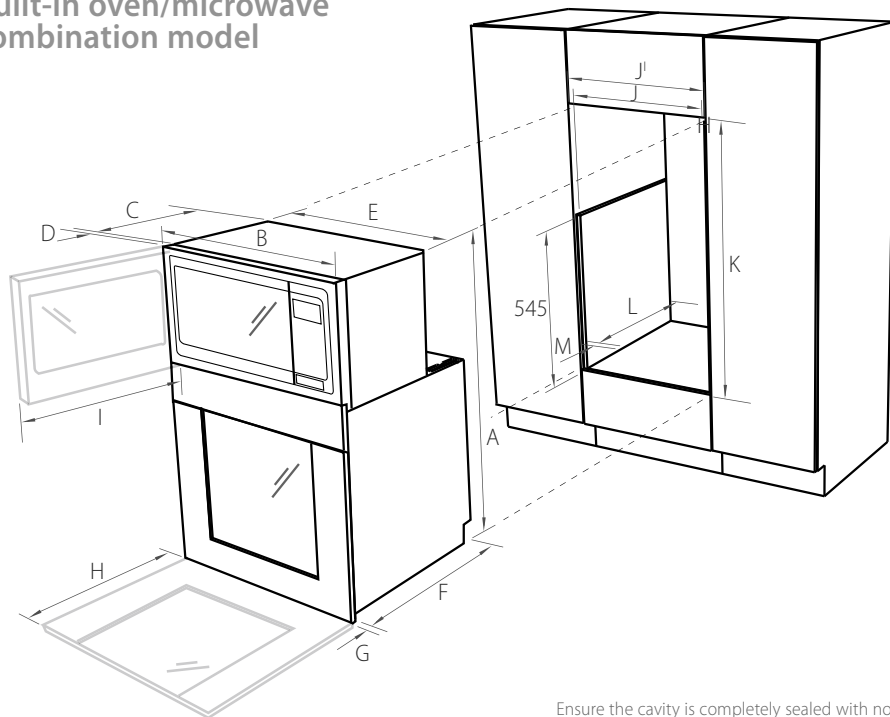
Ensure the cavity is completely sealed with no gaps

### Product and cabinetry dimensions (mm)

	Bl603 2 models	Bl603 1.5 models	
A	overall height of product	1077	932
B	overall width of product	595	595
C	overall depth of product (without handle)	562	562
D	height of chassis	1060	915
E	width of chassis	550	550
F	depth of chassis	542	542
G	depth of oven frame and control panel (excl. knobs)	20	20
H	depth of oven doors (open) (measured from front of oven frame)	465/465	465/320
I	minimum inside width of cavity	560	560
I'	overall width of cavity	600	600
J	inside height of cavity	1065	920
J'	overall height of cavity	1082	937
K	minimum inside depth of cavity	550	550
L	flush fitting cabinetry clearance	20	20
M	minimum clearance from floor to bottom of cavity	380	525



## Built-in oven/microwave combination model



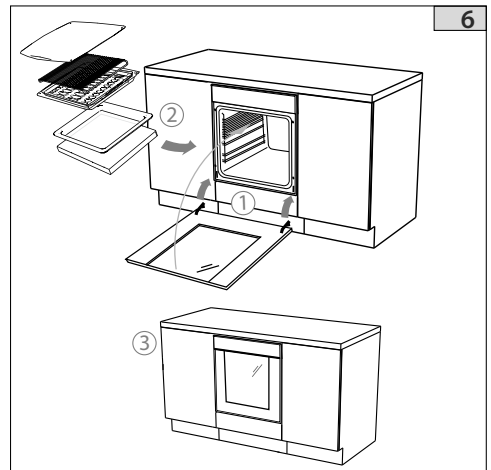
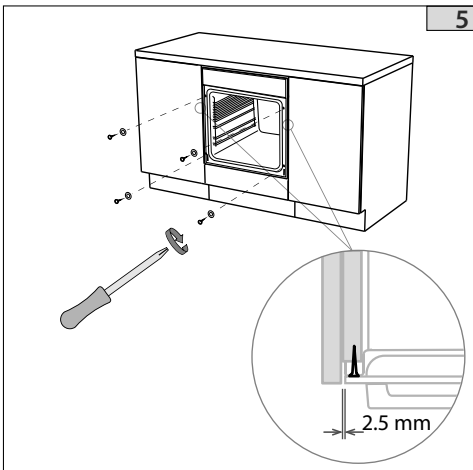
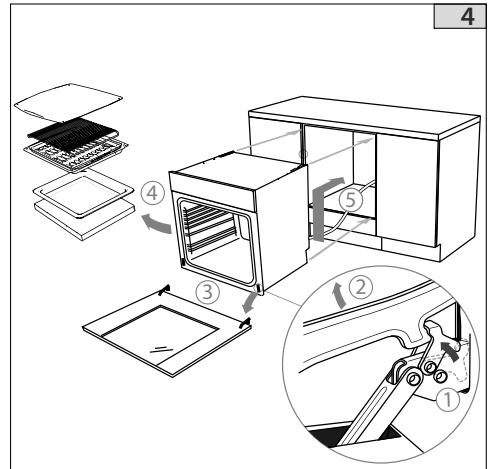
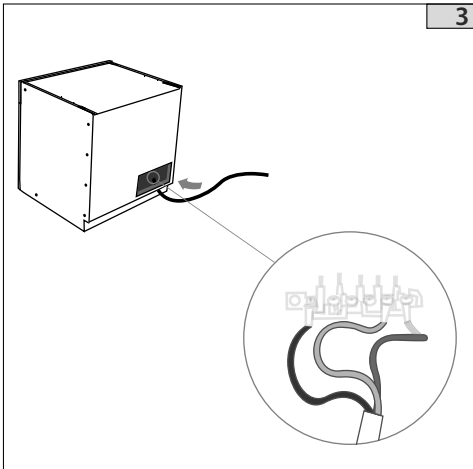
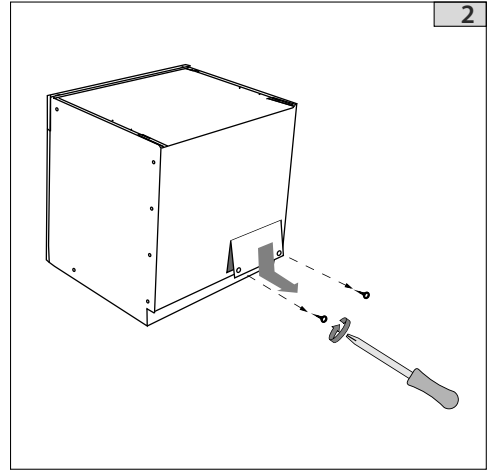
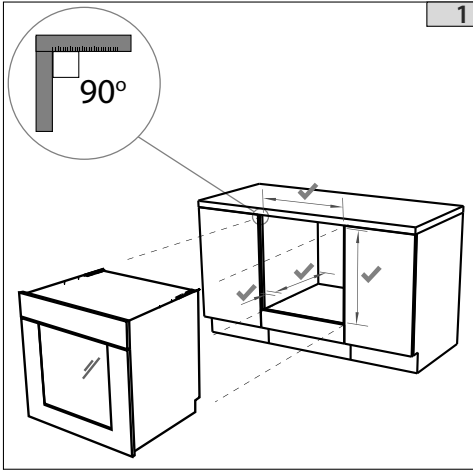
Ensure the cavity is completely sealed with no gaps

### Product and cabinetry dimensions (mm)

Bl603 XC models

A	overall height of product	932
B	overall width of product	595
C	depth of microwave (excl. frame and control panel)	455
D	depth of microwave frame and control panel	30
E	width of microwave chassis	558
F	depth of oven chassis	542
G	depth of oven frame and control panel (excl. knobs)	20
H	depth of oven door (open) (measured from front of oven frame)	465
I	depth of microwave door (open)	440
J	minimum inside width of cavity	560
J'	overall width of cavity	600
K	minimum inside height of cavity	935
L	minimum inside depth of cavity	550
M	flush fitting cabinetry clearance	20

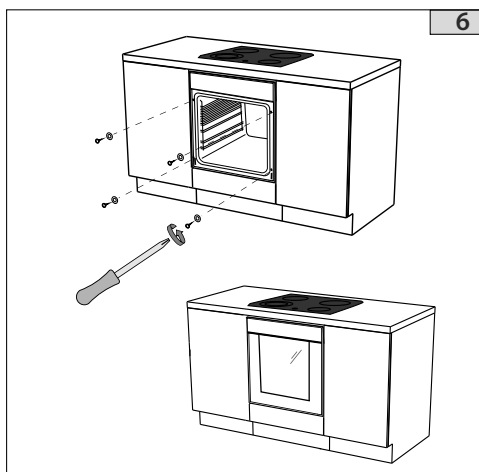
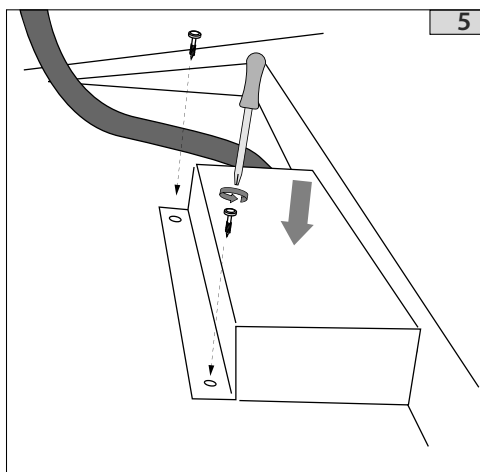
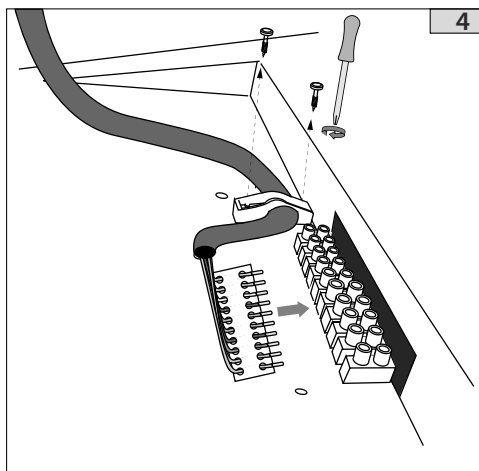
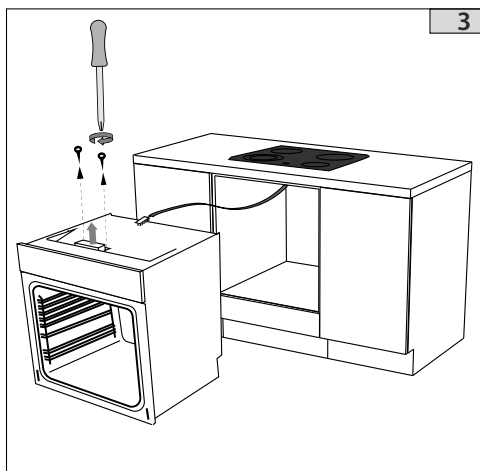
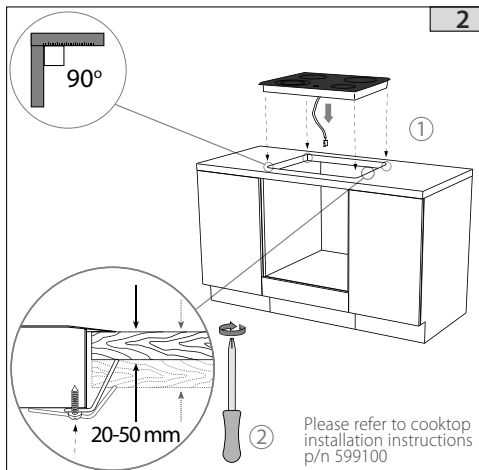
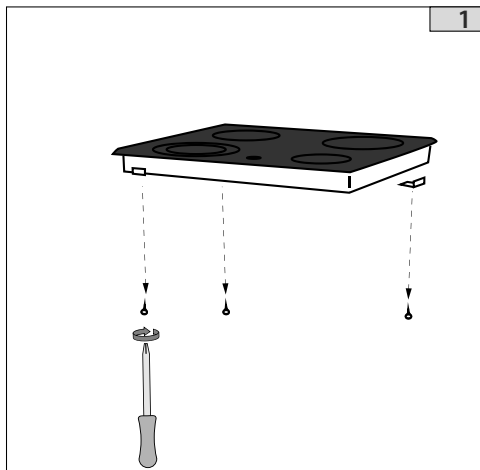
# Installing the oven





# Installing the cooktop

7







**Copyright © Fisher & Paykel 2005. All rights reserved.**

The product specifications in this booklet apply to the specific products and models described at the date of issue. Under our policy of continuous product improvement, these specifications may change at any time. You should therefore check with your Dealer to ensure this booklet correctly describes the product currently available.

**[www.fisherpaykel.com](http://www.fisherpaykel.com)**

NZ AU

Built-in oven installation instructions

Published: 08/2005

**Part No. 542511 A**