



REFRIGERATOR

USER'S OPERATION MANUAL

Model: WRO34U*

IMPORTANT: Before installing and operating the unit, please read, understand and follow the Warnings and Instructions. Retain for future reference.

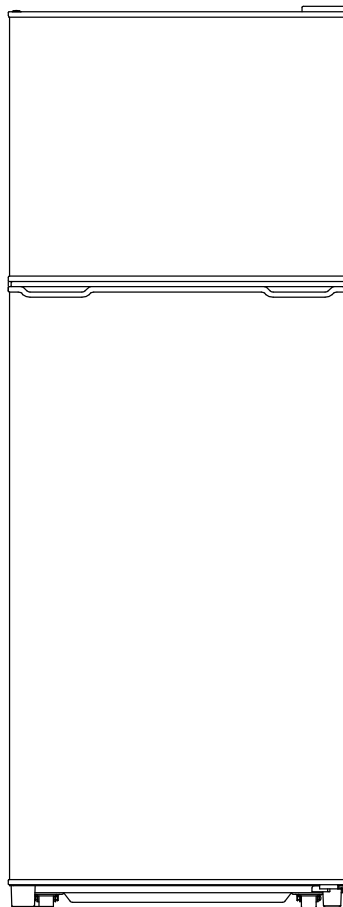
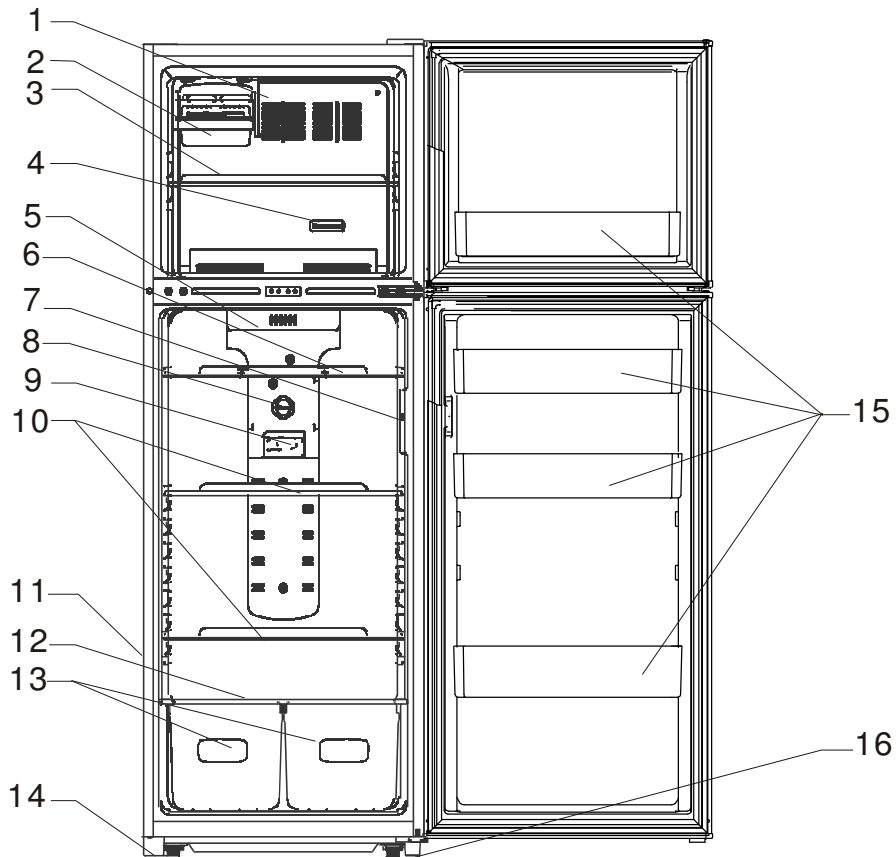


TABLE OF CONTENTS

1. Description of your Whirlpool Refrigerator	3
2. Warning and Safety Precautions	5
3. Getting Started	7
4. Operating your Whirlpool Refrigerator	8
5. Care and Maintenance	9
6. Food Storage Tips	11
7. Trouble shooting.....	12
8. Reversing the door.....	13

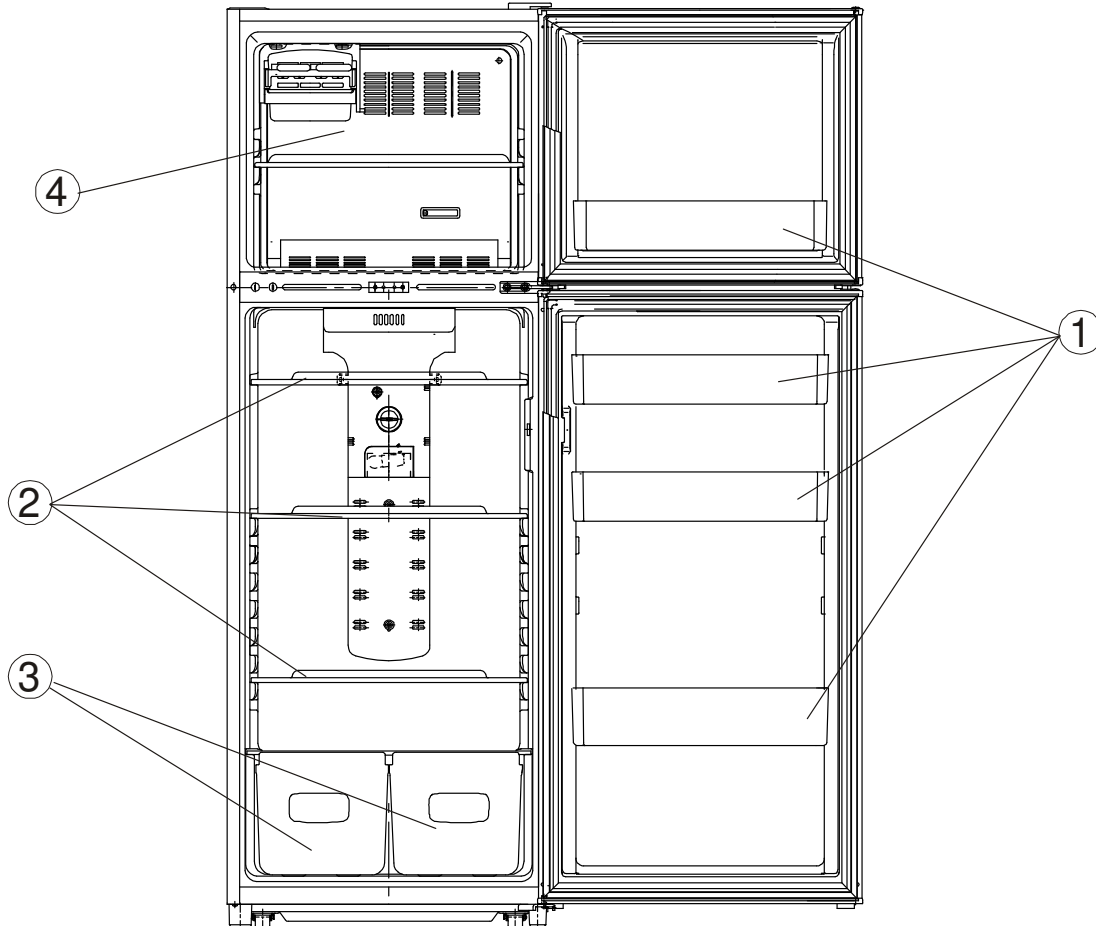
1. Description of your Whirlpool Refrigerator



1. Air Flow Cover	9. Lamp Cover
2. Ice Tray	10. Refrigerator Shelf B
3. Freezer Shelf	11. Side Plate
4. Freezer Temperature Controller	12. Crisper Cover
5. Controller	13. Crisper
6. Refrigerator Shelf A	14. Front Levelling Foot
7. Door Light Switch	15. Door Shelf
8. Temperature Adjustment Control	16. Front Levelling Foot

Note: Due to constant development, your refrigerator may be slightly different from the model illustrated in this Instruction Manual. Please note the Instructions remain the same

Your Whirlpool refrigerator has two special storage zones. Each one separately balanced at the correct temperature for a specific function.



1. Door Shelves: There are three adjustable shelves suitable for the storage of eggs, bottled liquids, packaged food, etc. Please lift the shelves vertically to remove.
2. Adjustable shelves: There are three adjustable shelves in the refrigerator compartment. The shelves can be easily taken out to be cleaned.
3. Vegetable Crispers: There are two crispers in the refrigeration chamber. Each vegetable crisper is suitable for the storage of fruits and vegetables.
4. Freezer Compartment: The freezer compartment is suitable for freezing and storing frozen foods.

2. Warning and Safety Precautions

**Important: Please read, understand and follow the Instructions and Warnings.
Retain for future reference.**

Your safety and the safety of others is very important.

We have provided many important Safety Warnings in this manual and on the appliance. Always read and follow all Safety Warnings.



⚠ DANGER

⚠ WARNING

This is a Safety Alert Symbol.
This symbol alerts you to hazards that can be fatal or hurt you and others.
All safety messages will be preceded by the safety alert symbol and the word “DANGER” or “WARNING”.

These words mean:
You will be killed or seriously injured if you do not follow instructions

You can be killed or seriously injured if you do not follow instructions

All safety messages will identify the hazard, tell you how to reduce the chance of injury, and tell you what can happen if the instructions are not followed.

Appliance Safety

R600a Refrigerant Warning


- This appliance contains a small quantity of R600a refrigerant which is environmentally friendly, but flammable. It does not damage the ozone layer, nor does it increase the greenhouse effect.
- During transportation and installation, ensure that the tubing of the refrigerant circuit is not damaged.
- Leaking refrigerant can ignite and may damage the eyes.
- In the event any damage does occur, avoid exposure to open fires and any device which creates a spark. Disconnect the appliance from the mains power.
- Thoroughly ventilate the room in which the appliance is located for several minutes.
- Notify Whirlpool Customer Service for necessary action and advice.
- The room for installing the appliance must be at least 1 cubic metre per 8 grams of refrigerant. The refrigerant quantity contained in this appliance is 45 grams; it is also noted on the Rating Plate of the appliance.
- **It is hazardous for anyone other than an Authorised Service Person holding a Gas Work Authorisation for hydrocarbon refrigerants, to carry out Servicing or repairs which involve the removal of covers.**

WARNING:

- **This appliance must be earthed.**
- Keep ventilation openings, in the appliance enclosure or in the built-in structure, clear of obstruction.
- Do not use mechanical devices or other means to accelerate the defrosting process, other than those recommended by the manufacturer.
- Do not damage the refrigerant circuit.
- Do not use electrical appliances inside the food storage compartments of the appliance, unless they are of the type recommended by the manufacturer.
- This appliance is not intended for use by persons (including children) with reduced physical, sensory or mental capabilities, or lack of experience and knowledge, unless they have been given supervision or instruction concerning use of the appliance by a person responsible for their safety.
- Children should be supervised to ensure that they do not play with the appliance.

WARNING:

- Do not store explosive material in the appliance or any other products containing propellants such as spray cans, explosive liquids or flammable liquids. During operation, thermostats produce sparks which could pose a fire hazard, as flammable liquids could cause an explosion.
- Do not use any electrical equipment within the appliance, such as ice cream makers, due to the danger of sparking and explosion.
- Do not use sharp edged objects to remove ice and frost, separate frozen food within the appliance, which could cause damage to the evaporator and cause serious damage to the appliance.
- Do not use defrosting sprays as they could contain harmful substances which could react and damage plastic parts.
- Do not use steam cleaning devices to clean. Pressurised steam vapour could enter electrical components, causing a short circuit.

	⚠ WARNING
	Electrical Shock Hazard Do not attempt to modify any part of this appliance. Do not connect this appliance to power sources other than specified. If the supply cord is damaged, it must be replaced by the manufacturer, its service agent or similar qualified person in order to avoid a hazard. Do not use mechanical devices or other means to accelerate the defrosting process. Do not damage the refrigerant circuit. (Sealed system) Do not use electrical appliances in the food storage compartments. Failure to do so <u>can</u> result in death, electrical shock or fire.

Disposal of your appliance

- Disconnect the appliance from the mains power.
- Cut the power cable at the point where it exits the refrigerator and destroy the plug or render it unusable to prevent misuse and not pose a hazard.
- Remove the doors and the shelves so that children cannot easily climb inside, as they can get trapped and suffocate.
- Ensure that the appliance does not present any danger to children while being stored temporarily for disposal.
- Before and during transportation for disposal, ensure that the tubing of the refrigerant circuit is not damaged.
- Leaking refrigerant can damage the eyes.
- This appliance contains insulation formed with flammable blowing gases. Avoid any safety hazards by following appropriate disposal procedures noted above.
- Ensure that the appliance is disposed of as per the appropriate local guidelines for appliances containing hydrocarbon refrigerants.

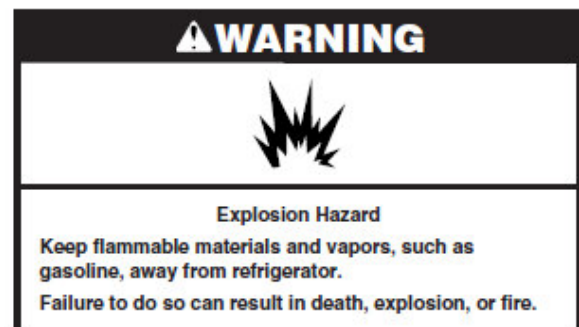
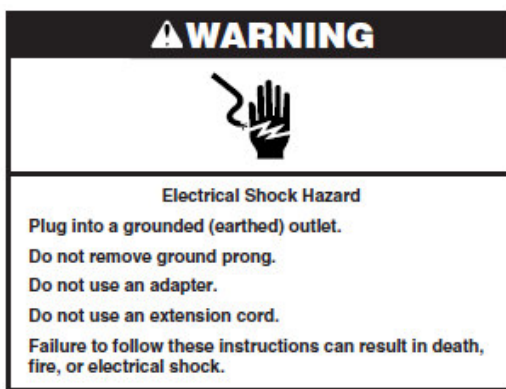
Note: The manufacturer is not responsible for any damage caused by non-compliance with the Warning and Safety Instructions.

⚠ WARNING
Suffocation Hazard Remove doors from your old refrigerator. Failure to do so can result in death, or brain damage.

3. Getting Started

Installation

- Unpack your refrigerator and select a dry well ventilated location close to an electrical point.
- Allow sufficient clearance for dissipation of heat, a minimum of 50 mm at the back and 30 mm on the sides and top.
- Keep the refrigerator away from direct sunlight and other high temperature sources like an oven and a cooking range. Avoid damp, exposed locations.
- Ensure that the electrical point is properly earthed. Do not use extension cords.
- Ensure that the power cable is not damaged during installation.
- Power cable modification or replacement must only be carried out by qualified personnel.
- Do not damage the tubing of the refrigerant circuit.
- Keep ventilation openings, in the appliance enclosure or in the built-in structure, clear of obstruction. Regularly keep the openings clean.
- Avoid carpeted areas. A stable installation minimizes noise and prevents tilting.
- Shift the refrigerator into place by raising the front slightly and sliding it on the rear castors.
- Rotate the two levelling feet, provided below your refrigerator at the front corners, clockwise/anticlockwise to raise/lower the front. The front should be slightly raised above the rear – so that the door shuts gently when left open.



Getting Connected

- The refrigerator is only suitable for single-phase alternating current of 220-240V, (50±1) Hz.
- Do not extend or fold the power cord. Keep the power cord away from the compressor.
- Set the temperature controls in the refrigerator and freezer sections.
- Run the refrigerator for 5 to 6 hours, to enable it to cool sufficiently before loading food inside.

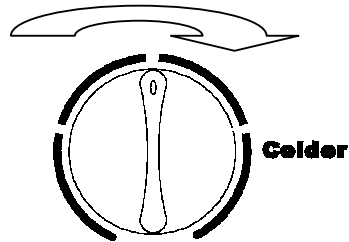
Warning

To avoid the risk of children becoming trapped and suffocating, do not allow them to play or hide inside the appliance.

4. Operating your Whirlpool Refrigerator

Adjusting the temperature within the refrigerator compartment

The temperature regulator controls the thermostat of your refrigerator. A control knob is provided in the refrigerator section. Adjust the knob according to the room temperature, frequency of door opening and storage load. A gentle turn to the left or right enables you to change the temperature of your refrigerator.



Adjusting the temperature within the freezer compartment

The temperature regulator allows you to regulate the temperature inside the Freezer. A slider control is provided in the freezer section. Adjust the slider according to the room temperature, frequency of door opening and storage load. Sliding the slider enables you to change the temperature of the freezer.



Caution:

- Do not keep hot (more than 60 °C) or heavy (more than 10 kg) objects on top of the refrigerator.
- Do not keep lit candles on top of the refrigerator as this can cause a fire.
- Do not chill liquids and carbonated drinks in glass containers in the freezer compartment or they will freeze and burst.
- Do not keep glass bottles in the freezer for too long or they will freeze and burst.
- Check local voltage before installation.

Ice tray

- Your Whirlpool refrigerator comes with a twist ice function.
- To make ice, pour water into the ice tray until it is 4/5 full.
- Place ice trays in the ice making chamber for a minimum of 2 hours.
- To use twist ice function, simply twist the ice tray.

5. Care and Maintenance

Cleaning your Whirlpool Refrigerator

- **Before cleaning, always switch-off the power supply and remove the plug from the socket.**
- Remove all food items from the refrigerator.
- Do not remove all the shelves at the same time to prevent children from easily climbing inside. The same care should be followed when going on vacation.
- To remove refrigerator shelves, gently push the rear of the shelf upwards and then pull out.
- Remove the refrigerator and the freezer door bins by pushing upwards and pulling out.
- Hold the vegetable crisper using the handle, raise the front slightly and pull out.
- Use a soft cloth and mild detergent to clean the refrigerator thoroughly. Take care not to damage the door seals.
- Allow the refrigerator time to dry, by leaving the door open for some time.
- Dry the parts and place them back in the refrigerator.
- Plug the power cord in and switch the mains on. Allow the refrigerator time to cool before placing food inside.
- Keep the surrounding area around the appliance clean to prevent cockroaches or other insects from entering the appliance. Damage caused by cockroaches or other insects will not be covered by the Warranty.

Caution

- Do not splash water directly on the refrigerator.
- Do not work with flammable sprays or solvent based cleaners. The fumes could cause fires or explosions.
- Be sure to check the voltage before inserting the power supply cord into the socket.
- Be sure not to re-insert the power supply socket within 5 minutes of removing it from the socket.
- Ensure that water does not get into the light bulb socket or other electrical components of your refrigerator.
- Do not allow water to collect at the bottom of the refrigerator.
- Do not store volatile chemicals such as ether and benzene in the refrigerator. The fumes, besides damaging food, can build up and cause an explosion.

Going on vacation

Short vacation

During an average short length vacation, it is usually best to leave the refrigerator and freezer in regular operation.

Long vacation

For a vacation of extended duration, perform the following steps:

- Remove all food items from the refrigerator and freezer.
- Switch-off the mains and disconnect the power cord from the socket.
- Use a soft, damp cloth to wipe the refrigerator clean from the inside and outside.
- Leave both doors open to prevent odours.
- Do not allow children to play or hide inside the appliance due to the risk of them becoming trapped and suffocating.

Moving your refrigerator

- Switch-off the mains and disconnect the power cord from the socket.
- Remove all food items from the refrigerator and freezer.
- Use a soft, damp cloth to wipe the refrigerator from the inside and outside.
- Fasten the doors and interior components by using tape to prevent them from moving or opening during transportation.
- Lift the refrigerator slightly from the front and slide using the castors at the rear.

Changing the light bulb

- **Before removing the light bulb, disconnect the refrigerator at the main power supply. Failure to do so could result in electric shock or serious injury.**
- Use a Phillips head screwdriver to remove the screw of the light cover. Remove the light cover by gently pushing upwards.
- Unscrew the bulb.
- Replace the bulb with a 10 Watt-refrigerator bulb that is of the same shape and size.
- Replace the light cover and refit the screw.

6. Food Storage Tips

- To avoid blocked airflow and minimise energy consumption, do not crowd the refrigerator with too much food.
- Use sealed containers and plastic bags to prevent food from drying or having a mixed taste with other food in the refrigerator.
- Please clean food, bottles and packed articles before storage.
- Hot food should be cooled down to room temperature before storage to improve food preservation and minimise energy consumption.
- Do not re-freeze after defrosting.
- Store liquids in the front of the refrigerator to avoid freezing.
- Cut meat, fish, vegetables, etc. into small pieces before freezing.

Meat

Your Whirlpool freezer will keep meat fresh. You should always wrap meat completely and tightly in plastic bags. Unwrapped meat quickly loses moisture and nutrients and causes your refrigerator to smell.

Remove bones and surplus fat from meats. Fat usually becomes rancid, and boneless meat needs roughly half as much freezer space.

Bigger portions of meat must be thawed before cooking. If you have a microwave, you can thaw meat in minutes. If you don't have a microwave, move the quantity you want to use from the freezer to the top of the vegetable crisper the night before.

Vegetables

Your Whirlpool refrigerator makes it possible for you to preserve your favourite fruits, vegetables or meats for longer. Just follow the storage tips given here to keep your favourite food fresh for a long time.


All vegetables should be blanched (quickly dipped in boiling water) before freezing. Blanching destroys enzymes, preserves flavour, texture and vitamin content, and reduces micro-organisms. After blanching, remove the vegetables and plunge them immediately into cold, icy water. Follow these specific tips for the given vegetables to get maximum storage life out of them.

- Beans: Wash thoroughly, trim ends and then blanch for 2 minutes.
- Capsicum: Wash and remove all seeds and membranes. Blanch in halves or sliced. Put in a box and freeze. Blanching time – 3 minutes.
- Green Peas: Shell and blanch in a pan. Shake the pan periodically to heat evenly. Cool, drain and pack – preferably in polybags or containers. Blanching time – 1 minute.
- Tomatoes: These are best frozen as puree or juice. Skin and core them before storing. Then simmer them in their own juices for 5 minutes. Once the tomatoes are soft, strain and puree them. Pack them in polybags or containers and freeze.
- Large Red Chillies: Remove the stems, cut in half and completely de-seed them. Put them in polybags and freeze.
- Carrots: Cut them in any shape. Blanch in hot water for 1 minute and then dip in ice cold water. Drain in a sieve and pack in a polybag or container and freeze.

7. Trouble shooting

If there is something wrong with your refrigerator, please check the following points before you call for service assistance.

Refrigerator does not work	Is the power cord plugged into the socket? Is there a power outage? Has the circuit breaker tripped? Is there a loose connection? Is the thermostat in the 'off' position?
Refrigerator attempts to start but fails	Is the voltage low?
Ice formation is slow	Is the Airflow Control in 'freezer max' position?
Cooling in the refrigerator is not enough	Is the Refrigerator Control set too low? Is the air passage obstructed by food? Is the refrigerator compartment overloaded? Is the refrigerator door fully closed? Are the doors being opened too frequently? Are you storing hot food in the refrigerator?
Refrigerator runs non-stop	Are the Temperature Controls set too high? Is the door left open for too long?
Refrigerator works, but inside light does not	Check the light bulb.
Refrigerator side walls are hot	This is not a problem. The walls heat slightly during normal operation.
Refrigerator gives a mild shock	Contact Whirlpool Customer Service.
Refrigerator makes too much noise	Is the refrigerator on a level surface? Is the refrigerator too close to the wall?
Refrigerator compartment is smelly	Has the refrigerator been cleaned recently? Is there an object with a strong smell inside?



⚠ WARNING

Electrical Shock Hazard

Do not attempt to modify any part of this appliance.
Do not connect this appliance to power sources other than specified.
If the supply cord is damaged, it must be replaced by the manufacturer, it's service agent or similar qualified person in order to avoid a hazard.
Do not use mechanical devices or other means to accelerate the defrosting process.
Do not damage the refrigerant circuit. (Sealed system)
Do not use electrical appliances in the food storage compartments.
Failure to do so can result in death, electrical shock or fire.

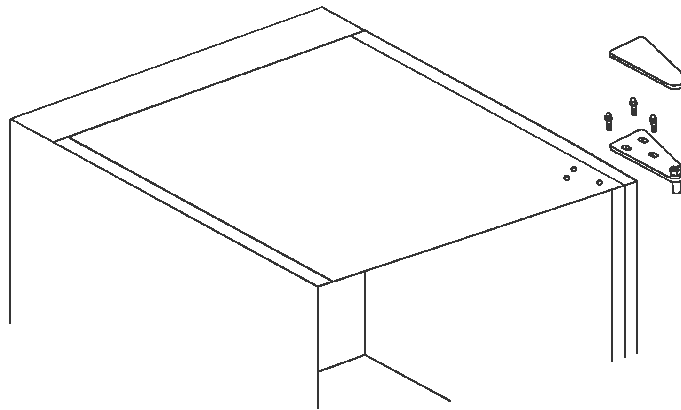
8. Reversing the door

The side at which the door opens can be changed from the right side (as supplied) to the left side, if required.

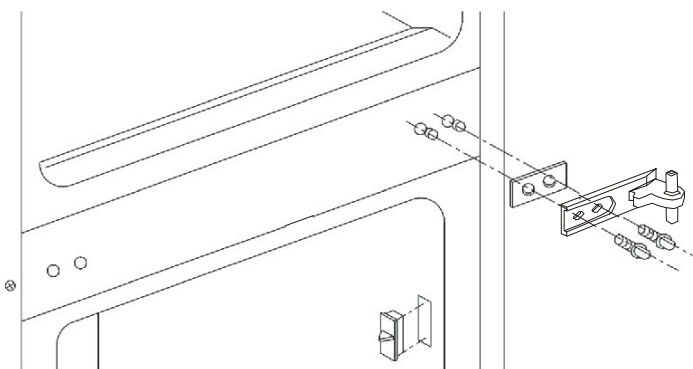
Warning! When changing the side at which the door opens, the appliance must not be connected to the mains power supply. Remove the plug from the mains before you start the activity.

Before you start, disconnect the appliance from the mains power supply. Lay the refrigerator on its back in order to gain access to the base; place it on a suitable soft foam packaging or similar material to avoid damaging the cooling pipes at the rear of the refrigerator.

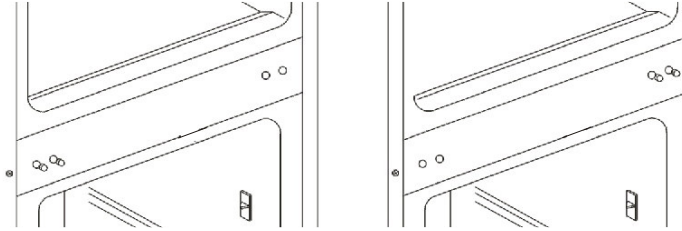
1. Remove the top hinge cover and the top hinge bracket by unscrewing the three mounting screws.
2. Lift the upper door and place it on a suitable padded surface to prevent it being damaged. Remove the blanking plugs, if fitted, to the left hand side holes, on the top and bottom sides of the door and fit them to the holes on the right hand side.



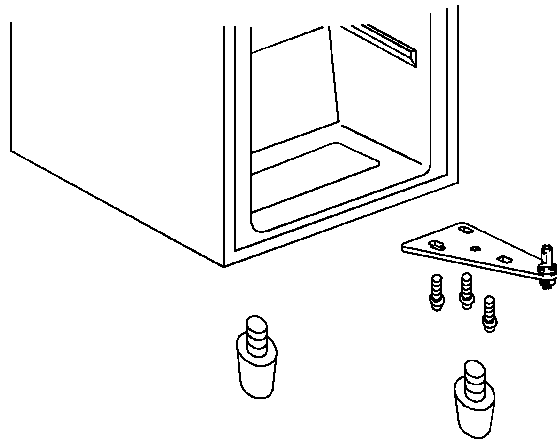
3. Remove the centre hinge bracket from the centre rail, by removing the screws. As illustrated below.
4. Lift the lower door and place it on a suitable padded surface to prevent it from being damaged. Remove the blanking plugs, if fitted, to the left hand side holes, on the top and bottom sides of the door and fit them to the holes on the right hand side.



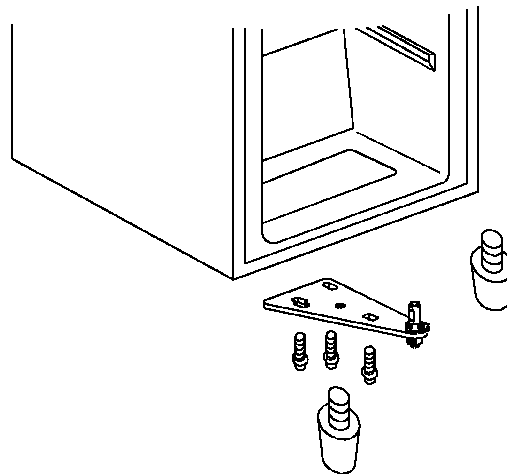
5. On the centre rail, remove the blanking plugs from the left hand side holes, to be used for mounting the centre hinge bracket and fit them to the right hand side holes. As illustrated below.



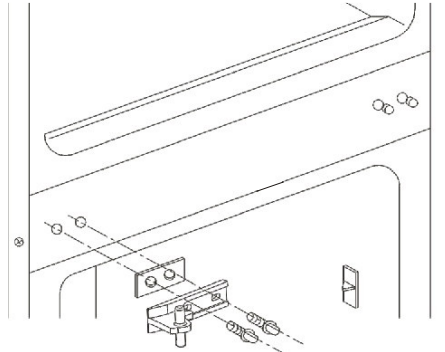
6. Remove both the levelling feet fitted to the base at the front corners. Remove the bottom hinge bracket, by removing the mounting screws. As illustrated below.



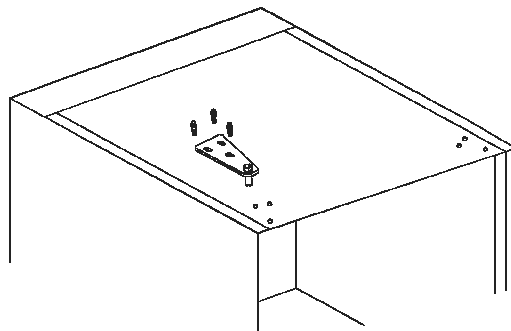
7. Position the lower door in the proper position. Insert the hinge pin of the bottom hinge bracket into the bottom left hand side hole of the lower door. Position the bracket holes over the left hand side mounting holes, fit and tighten the screws. Next, refit the levelling feet. As illustrated below.



-
8. Reverse the direction of the centre hinge bracket and position it on the left hand side. Locate the top left hand side hole of the lower door into the hinge pin of the center hinge bracket. Position the bracket holes over the left hand side mounting holes, fit and tighten the screws. As illustrated below. Position the freezer door in the proper position. Locate the bottom left hand side hole of the freezer door into the hinge pin of the centre hinge bracket.



9. Remove the blanking plug and plate from the left hand side holes of the refrigerator top, to be used for mounting the top hinge bracket and fit them to the right hand side holes. Locate the hinge pin of the top hinge bracket into the top left side hole of the freezer door. Position the bracket holes over the left hand side mounting holes, fit and tighten the screws. As illustrated below.



10. Refit the top hinge cover. As illustrated below.
Position the refrigerator in the upright position and proceed as instructed in Section 3, Getting Started.

