

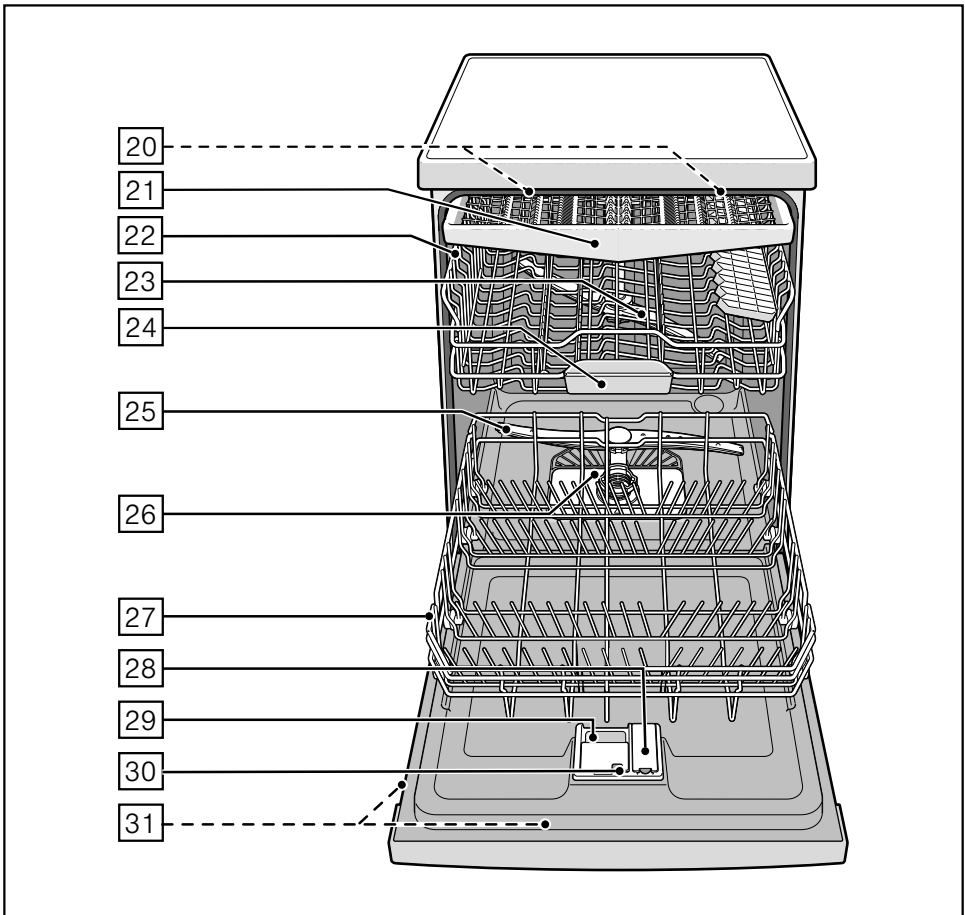
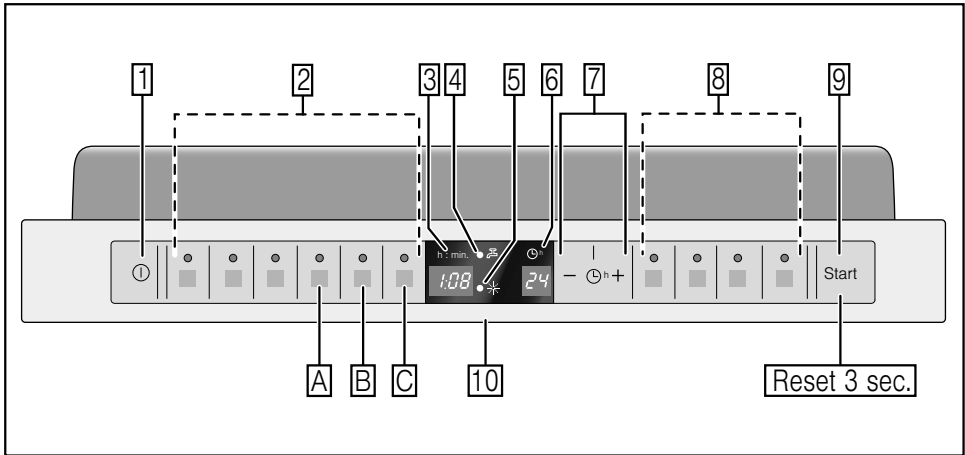
# Dishwasher



**BOSCH**

9000 441 490 (8904)

aus Operating instructions



# aus Table of contents

|                                             |           |                                                      |           |
|---------------------------------------------|-----------|------------------------------------------------------|-----------|
| <b>Safety instructions</b> .....            | <b>4</b>  | <b>Washing the dishes</b> .....                      | <b>13</b> |
| Delivery .....                              | 4         | Aqua sensor .....                                    | 13        |
| Installation .....                          | 4         | Switching on the appliance .....                     | 13        |
| In daily use .....                          | 4         | Optical display while the programme is running ..... | 14        |
| Children in the household .....             | 4         | Remaining running time display .....                 | 14        |
| Door lock .....                             | 4         | Timer programming .....                              | 14        |
| Damage .....                                | 4         | End of programme .....                               | 14        |
| Disposal .....                              | 4         | Switching off the appliance .....                    | 15        |
| <b>Getting to know your appliance</b> ..... | <b>5</b>  | Interrupting the programme .....                     | 15        |
| Control panel .....                         | 5         | Terminating the programme .....                      | 15        |
| Appliance interior .....                    | 5         | Changing the programme .....                         | 15        |
| <b>Rinse aid</b> .....                      | <b>6</b>  | Intensive drying .....                               | 15        |
| Setting amount of rinse aid .....           | 6         | Interior light .....                                 | 15        |
| Switching off rinse aid refill indicator .. | 6         | <b>Maintenance and care</b> .....                    | <b>16</b> |
| <b>Utensils</b> .....                       | <b>7</b>  | Overall condition of the machine ...                 | 16        |
| Not suitable .....                          | 7         | Rinse aid .....                                      | 16        |
| Glass and utensil damage .....              | 7         | Filters .....                                        | 16        |
| Loading the dishwasher .....                | 7         | Spray arms .....                                     | 17        |
| Unloading the dishwasher .....              | 7         | Waste water pump .....                               | 17        |
| Cups and glasses .....                      | 7         | <b>Troubleshooting</b> .....                         | <b>18</b> |
| Pans .....                                  | 8         | ... when the appliance is switched on                | 18        |
| Cutlery drawer .....                        | 8         | ... changing settings .....                          | 18        |
| Folding spikes .....                        | 8         | ... on the appliance .....                           | 18        |
| Small accessories holder .....              | 9         | ... during the wash cycle .....                      | 19        |
| <b>Detergent</b> .....                      | <b>10</b> | ... on the utensils .....                            | 19        |
| Adding detergent .....                      | 10        | <b>Customer service</b> .....                        | <b>20</b> |
| <b>Overview of programmes</b> .....         | <b>12</b> | <b>Installation</b> .....                            | <b>20</b> |
| Programme selection .....                   | 12        | Safety instructions .....                            | 20        |
| Information about comparability tests       | 12        | Delivery .....                                       | 21        |
| <b>Additional options</b> .....             | <b>13</b> | Technical specifications .....                       | 21        |
| Express Wash .....                          | 13        | Installation .....                                   | 21        |
| Half load .....                             | 13        | Waste-water connection .....                         | 21        |
| Hygiene .....                               | 13        | Fresh water connection .....                         | 22        |
| Intensive zone .....                        | 13        | Electrical connection .....                          | 22        |
| Extra drying .....                          | 13        | Removing the appliance .....                         | 22        |
|                                             |           | Transportation .....                                 | 22        |
|                                             |           | Protection against frost .....                       | 23        |
|                                             |           | <b>Waste disposal</b> .....                          | <b>23</b> |
|                                             |           | Packaging .....                                      | 23        |
|                                             |           | Old appliances .....                                 | 23        |

## Safety instructions

### Delivery

- Check the packaging and dishwasher immediately for damage caused in transit. Do not switch on a damaged appliance, but contact your supplier.
- Please dispose of the packaging material in an environmentally friendly manner.
- Do not let children play with packaging and its parts. There is a risk of suffocation from collapsible boxes and film.

### Installation

Read the “Installation” chapter to learn how to install and connect the appliance correctly.

### In daily use

- Use the dishwasher only in the household and only for its designed purpose: for washing domestic dishes.
- The appliance is not designed to be used by small children or frail people unless they have been instructed accordingly by a responsible person, thereby ensuring that they can operate the appliance safely. Small children must be instructed not to play with the appliance.
- Do not lean or sit on the open door. The appliance could tip.
- Please note that free-standing appliances may tip over if the baskets are overloaded.
- Do not add any solvents to the washing chamber. Danger of explosion!
- Open the door carefully when the programme is still running. There is a risk of hot water spraying out of the appliance.
- To prevent injuries, e.g. caused by stumbling, open the dishwasher only briefly in order to load and unload the dishwasher.
- Read and observe the safety information and instructions for use on the packaging for cleaning and rinsing agents.

### Warning

Knives and other utensils with sharp points must be placed horizontally in the cutlery drawer.

### Children in the household

- If fitted, use the childproof lock. An exact description can be found in the back of the envelope.
- Do not allow children to play with or operate the appliance.
- Keep children away from detergents and rinse aid. These may cause chemical burns in the mouth, throat and eyes or asphyxiation.
- Keep children away from open dishwasher. The water in the rinsing compartment is not drinking water and could contain detergent residue. Ensure that children do not place fingers in the tablet collecting tray [24]. Small fingers could become caught in the slots.
- If the appliance is installed at eye-level, ensure when opening and closing the door that children are not caught or crushed between the appliance door and the cupboard door situated below.

### Childproof lock (door lock) \*

The description of the childproof lock is at the back in the envelope.

\* depending on model

### Damage

- The appliance may be repaired and opened up by a technician only. To do this, disconnect the appliance from the power supply. Pull out the mains plug or switch off the fuse. Turn off the tap.

### Disposal

- Make redundant appliances unusable to prevent subsequent accidents.
- Dispose of the appliance in an environmentally friendly manner.

**Warning**

Children could become locked in the appliance (risk of suffocation) or find themselves in other dangerous situations.

Therefore: Pull out the mains plug, sever and dispose of the power cord. Destroy the door lock so that the door can no longer be closed.

## Getting to know your appliance

Diagrams of the control panel and the interior of the appliance can be found in the envelope at the front.

Individual positions are referred to in the text.

### Control panel

- 1 ON/OFF switch
- 2 Programme buttons \*\*
- 3 Digital display
- 4 Display "Check water supply"
- 5 Rinse aid refill indicator
- 6 Timer programming display
- 7 Timer programming
- 8 Additional options \*\*
- 9 START button
- 10 Door opener

\*\* Number depending on model

### Appliance interior

- 20 Interior light \*
- 21 Cutlery drawer
- 22 Top basket
- 23 Top spray arm
- 24 Tablet collecting tray
- 25 Bottom spray arm
- 26 Filters
- 27 Bottom basket
- 28 Dispenser for rinse aid
- 29 Detergent dispenser
- 30 Lock for detergent dispenser
- 31 Rating plate

\* depending on model

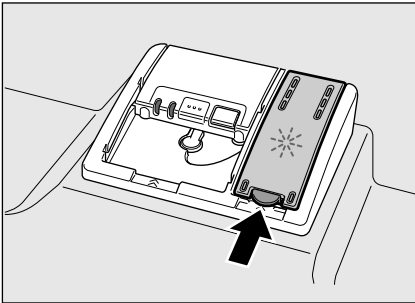
## Rinse aid

As soon as the rinse-aid refill indicator **5** is lit on the fascia, there is still a rinse-aid reserve of 1 – 2 rinsing processes. Refill with rinse aid.

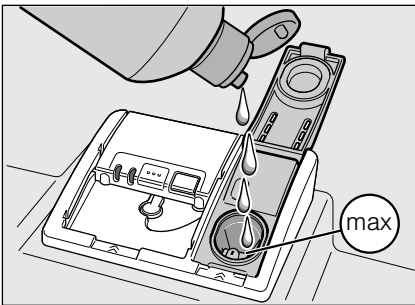
The rinse aid is required for stain-free utensils and clear glasses. Use only rinse aid for domestic dishwashers.

Combined detergents with rinse-aid component may be used up to a water hardness of 21° dH (37° fH, 26° Clarke, 3.7 mmol/l) only. If the water hardness is over 21° dH, rinse aid must be used.

- Open the dispenser **28** by pressing and lifting the plate on the cover.



- Carefully pour rinse aid up to the max. mark in the filler opening.



- Close cover until it clicks shut.
- To prevent excessive foam formation during the next rinse cycle, remove any rinse aid which has run over with a cloth.

## Setting amount of rinse aid

The amount of rinse aid dispensed can be set from **r:00** to **r:05**. This is the factory setting **r:05**.

Do not change the amount of rinse aid unless streaks (select lower setting) or water stains (select higher setting) are left on the utensils.

- Open the door.
- Switch on ON/OFF switch **1**.
- Hold down programme button **A** and press START button **9** until **d:0....** is indicated on the digital display.
- Release both buttons.
- Press programme button **A** until the factory set value **r:05** is indicated on the digital display **3**.

### To change the setting:

- Press programme button **C**.  
Each time the button is pressed, the set value increases by one level; when the value of **r:05** has been reached, the display jumps back to **r:00** (off).
- Press START button **9**.  
The set value is saved.
- Close the door.

## Switching off rinse aid refill indicator

If the rinse-aid refill indicator **5** is impaired (e.g. when using combined detergents containing rinse aid component), it can be switched off.

- Proceed as described under “Setting amount of rinse aid” and set the value to **r:00**.

The rinse aid refill indicator **5** is now switched off.

## Utensils

### Not suitable

- Cutlery and utensils made of wood.
- Delicate decorative glasses, craft and antique utensils. These decors are not dishwasher-proof.
- Plastic parts not resistant to heat.
- Copper and tin utensils.
- Utensils which are soiled with ash, wax, lubricating grease or ink.

Aluminium and silver parts have a tendency to discolour and fade during the wash cycle. Even some types of glass (e.g. crystal glass objects) may turn cloudy after many wash cycles.

### Glass and utensil damage

#### Causes:

- Glass type and glass production process.
- Chemical composition of the detergent.
- Water temperature of the wash programme.

#### Recommendation:

- Use only glasses and porcelain which the manufacturer designates as dishwasher-proof.
- Use a detergent which protects utensils.
- Take glass and cutlery out of the dishwasher as soon as possible after the programme ends.

### Loading the dishwasher

- Remove large food remnants. It is not necessary to prerinse utensils under running water.
- Place the utensils so that
  - they are secure and cannot tip over.
  - all utensils with their openings face down.
  - parts with curves or indentations are at an angle, thereby allowing water to drain.
  - does not obstruct rotation of the two spray arms [23] and [25].

Very small utensils should not be washed in the machine, as they may fall out of the baskets.

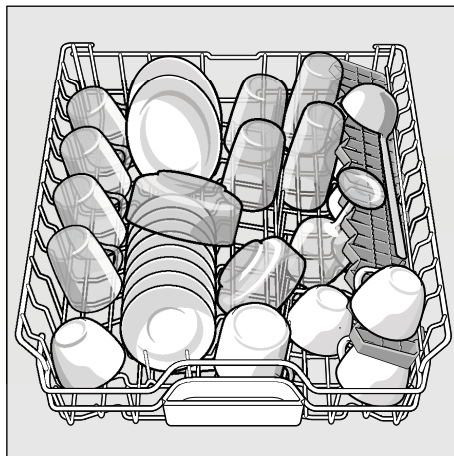
### Unloading the dishwasher

To prevent water from dripping off the upper basket onto the utensils in the lower basket, it is recommended to empty the appliance from the bottom up.

Hot utensils are sensitive to shock! Therefore, when the programme ends, leave the utensils to cool down in the dishwasher until they can be handled.

### Cups and glasses

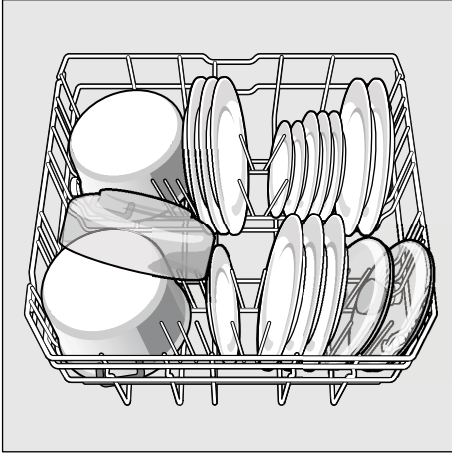
Top basket [22]



aus

## Pans

Bottom basket 27



### Tip

Heavily soiled utensils (pans) should be placed in the bottom basket. The more powerful spray jet provides a better dishwashing result.

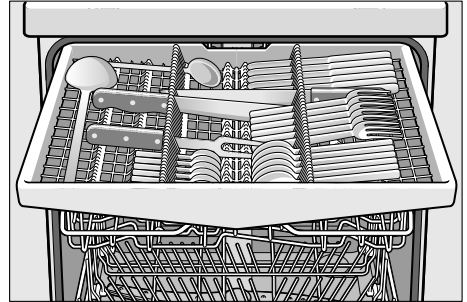
### Tip

Other examples, such as the best way of loading your dishwasher, can be found on our homepage as a free download. The corresponding Internet address can be found on the back page of these instructions for use.

## Cutlery drawer

Arrange the cutlery in the cutlery drawer 21 as illustrated. Separately arranged utensils are easier to remove after washing.

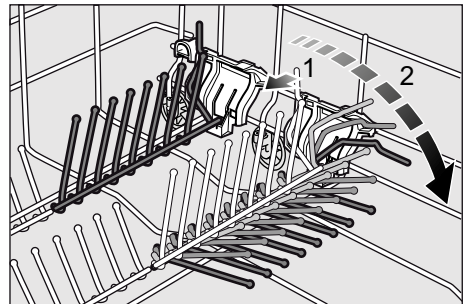
The drawer can be taken out.



## Folding spikes \*

\* depending on model

The spikes can be folded down to improve arrangement of pans, bowls and glasses.

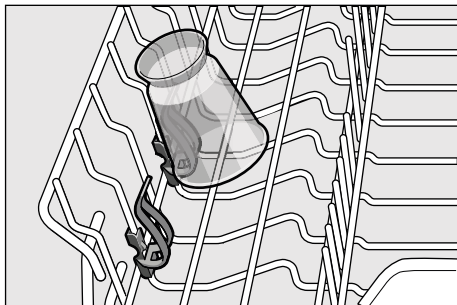




## Small accessories holder \*

\* depending on model

Light-weight plastic accessories, e.g. cups, lids, etc. can be held securely in the small accessories holder.



## Adjusting the height of the basket

The height of the upper utensils basket [22] can be adjusted in 3 stages to create more space either in the upper or lower basket.

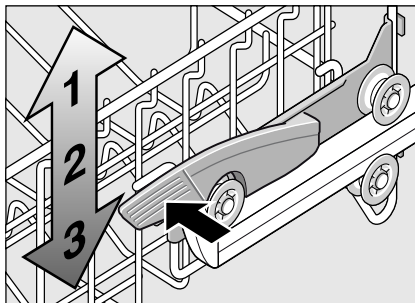
### Appliance height 81.5 cm

|                  | Top basket | Bottom basket |
|------------------|------------|---------------|
| Setting 1 max. ø | 16 cm      | 30 cm         |
| Setting 2 max. ø | 18.5 cm    | 27.5 cm       |
| Setting 3 max. ø | 21 cm      | 25 cm         |

### Appliance height 86.5 cm

|                  | Top basket | Bottom basket |
|------------------|------------|---------------|
| Setting 1 max. ø | 18 cm      | 33 cm         |
| Setting 2 max. ø | 20.5 cm    | 30.5 cm       |
| Setting 3 max. ø | 23 cm      | 28 cm         |

- Pull out the top basket [22] out.
- To **lower** the basket, press in the left and then the right lever on the outside of the basket. In doing so, hold the sides of the basket along the upper edge to prevent it from suddenly dropping.



- To **raise** the basket, hold the basket on the sides of the upper edge and lift it up.
- Before re-inserting the basket again, ensure that it is at the **same height** on both sides. Otherwise, the appliance door cannot be closed and the upper spray arm will not be connected to the water circuit.

## Detergent

You can use tablets as well as powder or liquid detergents for dishwashers, but never use washing up liquid. The dosage can be individually adjusted with powder or a liquid detergent according to the degree of soiling. Tablets contain an adequately large amount of active ingredients for all cleaning tasks. Modern, powerful detergents predominantly use a low-alkaline formulation with phosphate and enzymes. Phosphates bond the lime in the water. Enzymes break down starch and remove protein. Phosphate-free detergents are less frequent. These have a slightly weaker lime bonding capacity and require a higher dosage. To remove coloured stains (e.g. tea, tomato sauce), oxygen-based bleaching agents are usually used.

### Note

To ensure a good washing result, always follow the instructions on the detergent packaging!

If you have further questions, we recommend that you contact the detergent manufacturers' helpline.

### Warning

Read and observe the safety information and instructions for use on the packaging for cleaning and rinsing agents.

## Adding detergent

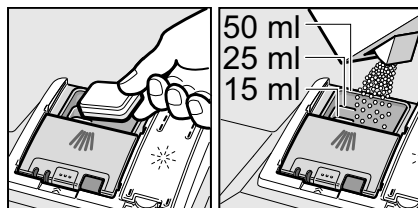
- If the detergent dispenser [29] is still closed, press the lock [30] to open the detergent dispenser.

Pour detergent into the dry detergent dispenser [29] only (insert tablet flat, not on its edge).

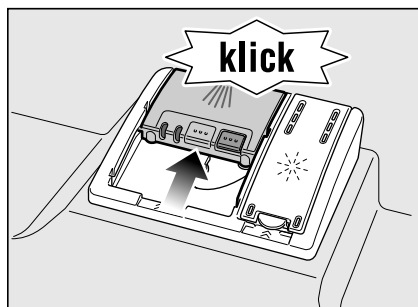
Dosage: see manufacturer's instructions on the packaging.

The graduated detergent dispenser [29] helps you add the correct amount of powder or liquid detergent.

Usually 20 ml–25 ml are adequate for normal soiling. If using tablets, one tablet is adequate.



- Close the cover on the detergent dispenser by sliding it up until the lock engages without difficulty.



The detergent dispenser opens automatically at the optimum time depending on the programme. The powder or liquid detergent is distributed in the appliance and is dissolved, the tablet falls into the tablet collecting tray where it dissolves in doses.

## Tip

If the utensils are only lightly soiled, slightly less than the indicated amount of detergent is usually adequate.

Suitable detergents and care products can be purchased online via our website or via customer service (see back page).



## Warnings




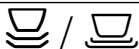
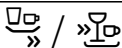
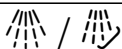
- Do **not** place small parts for washing in the tablet collecting tray [24]; this prevents the tablet from dissolving evenly.
- If you want to add more utensils after the programme has started, do **not** use the tablet collecting tray [24] as a handle for the upper basket. The tablet could already be there and you will touch the partially dissolved tablet.

## Notes

- If programmes are short, tablets may not have full cleaning effect due to different dissolving properties and there may even be undissolved detergent residue. It is recommended to use washing powder for these programmes.
- The Intensive programme (on some models) requires one tab only. When using washing powder, you can apply some of this cleaning agent to the inside of the appliance's door.
- If using detergents in a water-soluble protective cover: Take hold of the cover with dry hands only and put the detergent into an absolutely dry detergent dispenser only, otherwise the detergent may stick.
- If you switch from combined detergents to solo detergents, ensure that the water softening system and amount of rinse aid have been set to the correct value.

## Overview of programmes

The max. possible number of programmes is illustrated in this overview. The corresponding programmes for your appliance can be found on the fascia. The programme data has been measured in the laboratory according to AS/NSZ 2007.

| Type of utensils and soiling                | Programme                                                                                        | Programme data<br>1.) Duration: hs/mins<br>2.) Energy consumption in kWh<br>3.) Water consumption in litres<br>4.) With Aquasensor | Possible additional options                                 | Programme sequence                                                    |
|---------------------------------------------|--------------------------------------------------------------------------------------------------|------------------------------------------------------------------------------------------------------------------------------------|-------------------------------------------------------------|-----------------------------------------------------------------------|
| Pots, utensils and cutlery<br>Highly soiled |  Auto 65° - 75° | 1.) <b>1:40-2:15</b><br>2.) <b>1,30-1,60</b><br>3.) -<br>4.) <b>11-15</b>                                                          | All                                                         | Is optimised according to the soiling with the aid of sensors.        |
| Utensils and cutlery<br>Normally soiled     |  Auto 45° - 65° | 1.) <b>1:25-2:30</b><br>2.) <b>1,00-1,60</b><br>3.) -<br>4.) <b>9-19</b>                                                           |                                                             |                                                                       |
| Utensils and cutlery<br>Lightly soiled      |  Auto 35° - 45° | 1.) <b>1:05-1:20</b><br>2.) <b>0,70-0,85</b><br>3.) -<br>4.) <b>10-15</b>                                                          | Intensive zone<br>Express Wash<br>Half load<br>Extra drying |                                                                       |
| Utensils and cutlery<br>Normally soiled     |  Normal 45°     | 1.) <b>2:20</b><br>2.) <b>0,67</b><br>3.) <b>12,8</b><br>4.) -                                                                     | All                                                         | Prerinse<br>Clean 45°<br>Intermediate rinse<br>Final rinse 45°<br>Dry |
| Utensils and cutlery<br>Lightly soiled      |  Quick 45°     | 1.) <b>0:29</b><br>2.) <b>0,80</b><br>3.) <b>10</b><br>4.) -                                                                       | Extra drying                                                | Clean 45°<br>Intermediate rinse<br>Final rinse 55°                    |
| Lightly soiled                              |  Prerinse     | 1.) <b>0:15</b><br>2.) <b>0,05</b><br>3.) <b>4</b><br>4.) -                                                                        | None                                                        | Prerinse                                                              |

### Programme selection

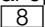
You can select a suitable programme according to the type of utensils and degree of soiling.

### Information about comparability tests

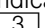
The conditions for running comparability tests can be found on the supplementary sheet "Information for comparability tests".

## Additional options

\* depending on model

Additional options can be set with the buttons .

### Express Wash \*

The >>Express Wash<< function can reduce the running time by approx. 20% to 50% depending on the selected rinse programme. The change in the running time is indicated on the digital display . To obtain optimum cleaning results at a reduced running time, water and energy consumption are increased.

### Half load \*

If you have only a few items to wash (e.g. glasses, cups, plates), you can switch to “half load”. This will save water, energy and time. It is recommended to put a little less detergent in the detergent dispenser than for a full load.

### Hygiene \*

The temperature is increased during the cleaning process. This increases the hygiene status. This additional option is ideal for cleaning e.g. chopping boards and baby bottles.

### Intensive zone \*

Perfect for a mixed load. You can wash very soiled pots and pans in the lower basket together with normally soiled utensils in the upper basket. The spray pressure in the lower basket is intensified, the rinsing temperature is increased slightly.

### Extra drying \*

An increased temperature during the final rinse and an extended drying phase ensure that even plastic parts dry better. There is a slight increase in the energy consumption.

## Washing the dishes

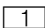
### Aqua sensor \*

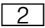
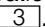
\* depending on model

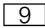
The Aqua sensor is an optical measuring device (light barrier) which measures the turbidity of the rinsing water.

The Aqua sensor is used according to the programme. If the Aqua sensor is active, “clean” rinsing water can be transferred to the next rinse bath and water consumption can be reduced by 3–6 litres. If the turbidity is greater, the water is drained and is replaced with fresh water. In the automatic programmes the temperature and running time can also be adjusted to the degree of soiling.

### Switching on the appliance

- Turn on the tap fully.
- Open the door.
- Switch on ON/OFF switch .

The display of the last selected programme flashes. This programme remains selected if no other programme button  is pressed. The expected programme duration flashes on the digital display .

- Press the START button .
- Close the door.

The programme starts running.

## Optical display while the programme is running \*

\* depending on model

While the programme is running, a light spot shines on the floor under the appliance door. Do not open the dishwasher door until the light point is no longer visible on the floor.

If the appliance is installed at eye-level, with flush furniture front, the light point is not visible.

This function can be changed as follows:

- Open the door.
- Switch on ON/OFF switch [1].
- Hold down programme button [A] and press START button [9] until *d:0*.... is indicated on the digital display.
- Release both buttons.
- Press programme button [A] until the factory set value *1:0 1* is indicated on the digital display [3].

### To change the setting:

- By pressing the button [C], you can switch the function off *1:00* or on *1:0 1*.
- Press START button [9].  
The set value is saved.
- Close the door.

## Remaining running time display

When the programme is selected, the remaining running time of the programme is indicated on the digital display [3].

The running time is determined during the programme by the water temperature, the number of utensils as well as the degree of soiling and may vary (depending on the selected programme).

## Timer programming

You can delay the start of the programme in 1 hour steps up to 24 hours.

- Open the door.
- Switch on ON/OFF switch [1].
- Press the button [7] + until *0 1* is flashing in the timer programming display [6].
- Press + or - button until the [7] displayed time corresponds with your requirements.
- Press START button [9], timer programming is activated.
- To delete timer programming [7], press the + or - button until *00* is indicated on the digital display [6].  
You can change your programme selection at any time until the programme starts.
- Close the door.

## End of programme

The programme has ended when the value *0:00* is indicated on the numerical display [3].

The end of the programme is also indicated by an acoustic signal. This function can be changed as follows:

- Open the door.
- Switch on ON/OFF switch [1].
- Hold down programme button [A] and press START button [9] until *d:0*.... is indicated on the digital display.
- Release both buttons.
- Press programme button [A] until the factory set value *b:00* is indicated on the digital display [3].

### To change the setting:

- Press programme button [C]. Each time the button is pressed, the set value increases by one level; when the value of *b:03* has been reached, the display jumps back to *b:00* (off).
- Press START button [9], the set value is saved.
- Close the door.

## Switching off the appliance

Short time after the end of the programme:

- Open the door.
- Switch off ON/OFF switch **[1]**.
- Turn off the tap (not applicable if Aqua-Stop fitted).
- Remove the utensils when they have cooled down.



### Warning

At the end of the programme please open the door fully and not partially when emptying the dishwasher. Any escaping water vapour could damage sensitive worktops.

## Interrupting the programme

- Open the door.
- Switch off ON/OFF switch **[1]**.  
The LEDs go out. The programme is saved.

If the door was opened on an appliance which has a warm water connection or is heated, first leave the door ajar for several minutes and then close. Otherwise, expansion (pressure) may cause the appliance door to spring open or water to run out of the appliance.

- To continue the programme, switch on the ON/OFF switch **[1]** again.
- Close the door.

## Terminating the programme (Reset)

- Open the door.
- Press START button **[9]** for approx. 3 sec.  
The numerical display **[3]** indicates **0:01**.
- Close the door.  
The programme sequence lasts approx. 1 min. On the digital display **[3]** is indicated **0:00**.
- Open the door.
- Switch off ON/OFF switch **[1]**.
- Close the door.

## Changing the programme

When the START button **[9]** has been pressed, the programme cannot be changed.

The only way a programme can be changed is by Cancel programme (Reset).

## Intensive drying

The final rinse uses a higher temperature which improves the drying result. The running time may increase slightly. (Caution if utensils are delicate!)

- Open the door.
- Switch on ON/OFF switch **[1]**.
- Hold down programme button **[A]** and press START button **[9]** until **d:0...** is indicated on the digital display.
- Release both buttons.
- Press programme button **[A]** until the factory set value **d:00** is indicated on the digital display **[3]**.

### To change the setting:

- Press the button **[C]** to switch the Intensive drying on **d:01** or off **d:00**.
- Press START button **[9]**.  
The set value is saved.
- Close the door.

## Interior light \*

The interior light **[20]** comes on when the door is opened irrespective of whether the ON/OFF switch **[1]** is switched on or off.. When the door is closed or ajar, the light is off.

- Open the door.
- Switch on ON/OFF switch **[1]**.
- Hold down programme button **[A]** and press START button **[9]** until **d:0...** is indicated on the digital display.
- Release both buttons.
- Press programme button **[A]** until the factory set value **E:01** is indicated on the digital display **[3]**.

### To change the setting:

- Press the button **[C]** to switch the interior light off **E:00** or on **E:01**.
- Press START button **[9]**.  
The set value is saved.
- Close the door.

\* depending on model

## Maintenance and care

A regular inspection and maintenance of your machine will help to prevent faults. This saves time and prevents problems.

### Overall condition of the machine

- Check spray arm for grease and limescale deposits.

If you find such deposits:

- Fill detergent dispenser with detergent. Start the appliance without utensils in the programme with the highest rinsing temperature.

Clean the appliance with detergents/ appliance cleaners which are particularly suitable for use with dishwashers.

- Regularly clean door seal with a damp cloth.

Never use a steam cleaner to clean your dishwasher. The manufacturer is not liable for any consequential damage.

Regularly wipe the front of the appliance and fascia with a damp cloth; water and a little washing up liquid are adequate. Do not use sponges with a rough surface or abrasive detergents, as these could scratch the surfaces.

Stainless steel appliances: To prevent corrosion, avoid using sponge cloths or wash them out thoroughly several times before using for the first time.

### Warning

Never use other chlorinated household detergents! Health hazard!

### Rinse aid

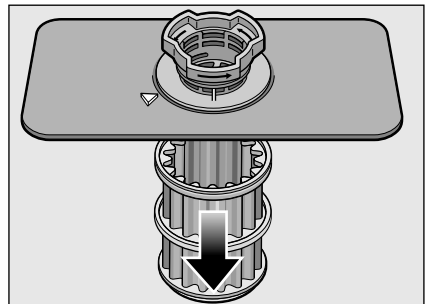
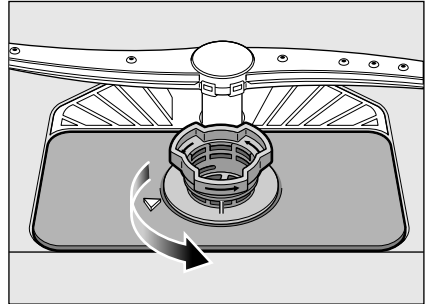
- Check the refill indicator 5. If required, refill rinse aid.

## Filters

The filters 26 keep large foreign objects in the rinsing water away from the pump. These foreign objects may occasionally block the filters.

The filter system consists of a coarse filter, a flat fine filter and a microfilter.

- After each washing cycle check the filters for residue.
- Unscrew filter cylinder as illustrated and take out filter system.



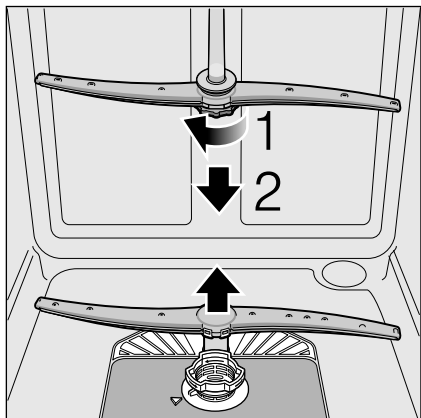
- Remove any residue and clean filters under running water.
- Re-install filter system in reverse sequence and ensure that the arrow marks are opposite each other after closing the filter system.



## Spray arms

Limescale and contaminants in the rinsing water may block nozzles and bearings on the spray arms [23] and [25].

- Check outlet nozzles on the spray arms for blockages.
- Unscrew the upper spray arm [23].
- Remove the lower spray arm [25] upwards.



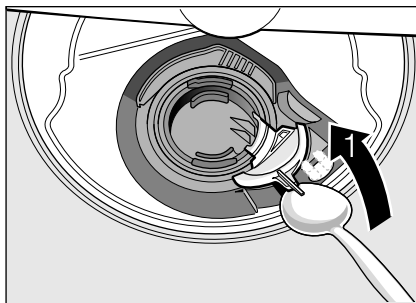
- Clean spray arms under running water.
- Re-engage or screw on spray arms.

## Waste water pump

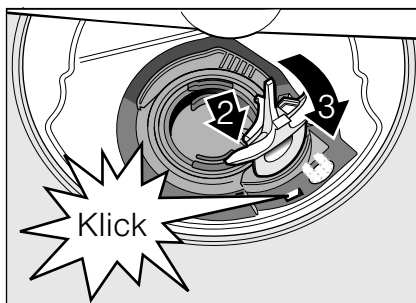
Large food remnants in the rinsing water not retained by the filters may block the waste water pump. The rinsing water is then not pumped out and covers the filter.

In this case:

- First disconnect the appliance from the power supply.
- Remove the filters [26].
- Scoop out water, use a sponge if required.
- Using a spoon, prise off pump cover (as illustrated) until it clicks, then grip the cover by the lug and first pull it upwards until it resists and then pull it out forwards.



- Check inner compartment and remove any foreign objects.
- Place cover in the original position, press down and engage.

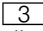


- Install filters.

## Troubleshooting

The majority of faults which could occur in daily operation can be rectified by the user. This ensures that the appliance is quickly available for use again. The following overview will help you locating the causes and gives helpful advice to eliminate them.

### Warning

If on the digital display  an error code (E:01 to E:30), always disconnect the appliance from the power supply and then turn off the tap.

You can rectify certain faults yourself (see following fault description), for all other faults please contact customer service and state the indicated fault E:XX.

### Warning

Don't forget: Repairs may be carried out by technicians only. If a component has to be replaced, ensure that only original spare parts are used. Improper repairs or use of non-original spare parts may cause considerable damage and put the user at considerable risk.

## ... when the appliance is switched on

### The appliance does not start.

- The mains fuse has tripped.
- The appliance plug has not been inserted.
- The appliance door has not been shut properly.

## ... changing settings

### A setting cannot be changed, a programme starts.

- Wrong programme button pressed. Terminate the programme (see chapter entitled "Terminating the programme (Reset)") and start all over again.
- You did not wait until programme ended.

## ... on the appliance

### Lower spray arm rotates sluggishly.

- Spray arm blocked.

### The door is difficult to open. \*

- Child-proof lock is activated. The deactivation instructions are at the back in the envelope.

\* depending on model

### Door cannot be closed.

- Door lock has been activated. To reset, close the door with greater force.

### Cover on the detergent dispenser cannot be closed.

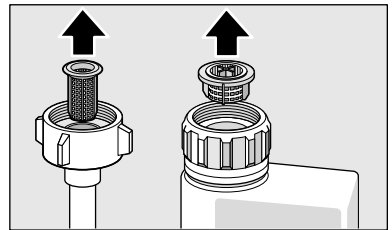
- Detergent dispenser overfilled or mechanism blocked by sticky detergent residue.

### Detergent residue in the detergent dispenser.

- Dispenser was damp when filled.

### "Check water supply" display lights up.

- Tap turned off.
- Water supply interrupted.
- Supply hose kinked.
- **Filter in the water supply blocked.**
  - Switch off the appliance and pull out the mains plug.
  - Turn off the tap.
  - Clean filter in the supply hose.



- Reconnect power supply.
- Turn on the tap.
- Switch on the appliance.

- **Water is left in the appliance at the end of the programme.**
  - (E:24) Waste water hose is blocked or kinked.  
Filters blocked.
  - (E:25) Waste water pump blocked, cover on the waste water pump is not locked in position (see Maintenance and care).  
Filters blocked.
  - The programme has not yet ended. Wait until programme ends (digital display indicates 0:00) or implement the “Reset” function.

**Refill indicator for rinse aid  is not lit.**

- Refill indicator switched off.
- Adequate rinse aid available.

**... during the wash cycle**

**Unusual foam formation.**

- Handwash liquid in the rinse aid dispenser.  
Spilled rinse aid causes excessive frothing, therefore please remove with a cloth.

**Appliance stops during the wash cycle.**

- Power supply interrupted.
- Water supply interrupted.

**Filling valves making striking noises**

- Caused by the installation of the water line and has no effect on the function of the machine. Remedial action is not possible.

**Knocking/rattling noise during rinsing**

- Spray arm is striking utensils.
- Utensils not arranged correctly.

**... on the utensils**

**Food residue on the utensils.**

- Utensils placed too closely together, utensils basket overfilled.
- Too little detergent.
- Rinse programme too weak.
- Spray arm rotation obstructed.
- Spray arm nozzles blocked.
- Filters blocked.
- Filters incorrectly inserted.
- Waste water pump blocked.
- Top basket on right and left not set to same height.

**Tea or lipstick residue is not completely removed.**

- The detergent has an inadequate bleaching effect.
- Too low rinsing temperature.
- Too little/unsuitable detergent.

**Dull, discoloured glasses, film cannot be washed off.**

- Unsuitable detergent.
- Glasses not dishwasher-proof.

**Streaks on glasses and cutlery, glasses have metallic appearance.**

- Too much rinse aid.

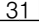
**Plastic parts discoloured.**

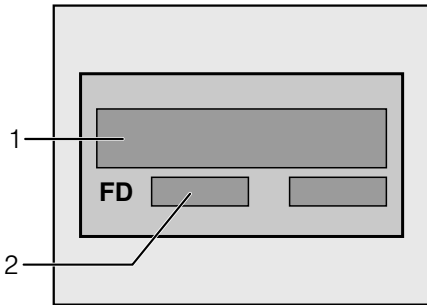
- Too little/unsuitable detergent.
- Too weak programme selected.

**Utensils not dry.**

- Appliance door opened too early and utensils taken out too early.
- Programme selected without drying.
- Too little/unsuitable rinse aid.
- Activate intensive drying.
- The combined detergent used has a poor drying performance.  
Use rinse aid (see Rinse aid chapter for setting).

## Customer service

If the advice given does not resolve your problem, please contact your customer service. Contact details can be found on the back cover of this instruction manual or in the enclosed customer service list. When calling, please quote the appliance number (1) and the production date (FD = 2) which can be found on the rating plate  on the appliance door.



**Rely on the expertise of the manufacturer.** Call us to ensure that the repair will be carried out by fully-trained service engineers, who are equipped with original spare parts for your appliance.

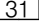
## Installation

The dishwasher must be connected correctly, otherwise it will not function properly. The specifications for the inlet and outlet as well as the electrical connected loads must correspond with the required criteria as specified in the following paragraphs or in the installation instructions.

Install the appliance in the correct sequence:

- Checking appliance on delivery
- Installing the appliance
- Waste water connection
- Fresh water connection
- Electrical connection

### Safety instructions

- Install and connect the appliance according to the installation and assembly instructions.
- Prior to installation, disconnect the dishwasher from the power supply.
- Ensure that the protective conductor system of the domestic supply has been correctly installed.
- The electrical connection conditions must correspond with the specifications on the dishwasher rating plate .
- If the power cord of this appliance is damaged, it must be replaced with a particular power cord.  
To prevent injury, the power cord may be replaced by customer service only.
- If the dishwasher is installed in a high-sided unit, the unit must be secured properly.
- Install built-under or integratable appliances only under continuous worktops which have been screwed to adjacent cupboards to ensure stability.
- Do not install the appliance near heat sources (radiators, heat storage tanks, cookers or other appliances which generate heat) and do not install under a hob.

- After installing the appliance, ensure that the plug is easily accessible.
- Some models:  
The plastic housing on the water connection contains an electric valve, the connecting cables are in the supply hose. Do not cut through this hose, do not immerse the plastic housing in water.



### **Warning**

If the appliance is not in a cavity and a side panel is accessible, the door hinge area must be covered at the side for reasons of safety (risk of injury). The covers are available as optional accessories from customer service or specialist outlets.

### **Delivery**

Your dishwasher has been checked thoroughly in the factory to ensure that it is in working order. This may cause small water stains. These will disappear after the first wash cycle.

### **Technical specifications**

#### **Weight:**

max. 60 kg

#### **Voltage:**

220–240 V, 50 Hz or 60 Hz

#### **Connected load:**

1.9–2.3 kW

#### **Fuse:**

10/16 A

#### **Water pressure:**

at least 0.05 MPa (0.5 bar), maximum 1 MPa (10 bar). At a higher water pressure: connect pressure-reducing valve ahead.

#### **Inlet rate:**

minimum 10 litres/minute

#### **Water temperature:**

for cold water connection only.

### **Installation**

The required installation dimensions can be found in the installation instructions. Level the appliance with the aid of the height-adjustable feet. Ensure that the appliance is situated securely on the floor.

- A built-under or integrated appliance which is installed subsequently as a free-standing appliance must be secured to prevent it from overturning, e.g. by screwing it to the wall or by installing it under a continuous worktop which is screwed to adjacent cupboards.
- The appliance can easily be installed in a fitted kitchen between wooden and plastic walls. If the plug is not freely accessible, an allpole disconnecter with a contact opening of at least 3 mm must be fitted on the installation side to satisfy the relevant safety instructions.

### **Waste-water connection**

- The required work sequence can be found in the installation instructions. If required, fit a siphon with an drainage connection.
- Connect the waste-water hose to the drainage connection of the siphon with the enclosed parts.  
Ensure that the drainage hose is not kinked, crushed or twisted and that there is no cover plate in the drainage to prevent the waste water from flowing out!

## Fresh water connection

- Connect the fresh-water connection to the tap according to the installation instructions with the enclosed parts.  
Ensure that the fresh-water connection is not kinked, crushed or twisted.
- When replacing the appliance, always use a new water supply hose.

### Water pressure:

at least 0.05 MPa (0.5 bar), maximum 1 MPa (10 bar). At a higher water pressure: connect pressure-reducing valve ahead.


### Inlet rate:

minimum 10 litres/minute

### Water temperature:

for cold water connection only.

## Electrical connection

- Connect the appliance to an alternating current only, ranging from 220 V to 240 V and 50 Hz or 60 Hz via a correctly installed socket with protective earth conductor. See rating plate for required fusing [31].
- The socket must be near the appliance and freely accessible following installation.
- The connection may be modified by technicians only.
- A power cord extension may be purchased from customer service only.
- Use only a residual current operated circuit-breaker which features the symbol . Only this extension guarantees compliance with the currently valid regulations.
- The appliance features a water damage protection system. Please note the system will not function **unless** the power supply is connected.

## Removing the appliance

Also observe the sequence of worksteps here.

- Disconnect the appliance from the power supply.
- Turn off the water supply.
- Disconnect the waste water and fresh water connections.
- Loosen the fastening screws under the worktop.
- If fitted, remove the base panel.
- Pull out the appliance, carefully pulling the hose behind.

## Transportation

Empty the dishwasher and secure loose parts.

### Drain the appliance according to the following steps:

- Turn on the tap.
- Open the door.
- Switch on ON/OFF switch [1]. The displays of the last selected programme light up.
- Select programme with the highest temperature.  
The expected programme duration is indicated on the numerical display [3].
- Press START button [9].
- Close the door.  
Programme sequence starts.
- Open door after approx. 4 minutes.
- Press START button [9] until 0:01 is indicated on the digital display.
- Close the door.
- Open door after approx. 1 minute.  
The numerical display indicates 0:00.
- Switch the appliance off [1] and turn the tap off.

Transport appliance upright only.

(This prevents residual water from running into the machine control and damaging the programme sequence.)

## Protection against frost

If the appliance is in a room where there is a risk of frost (e.g. holiday home), empty the appliance completely (see Transportation).

- Turn off the tap, disconnect supply hose and drain water.

## Waste disposal

Both the packaging of new appliances and the old appliances themselves contain valuable raw materials and recyclable materials.

Please dispose of the individual parts separated according to type.

Please ask your dealer or inquire at your local authority about current means of disposal.

## Packaging

All plastic parts of the appliance are identified with internationally standardised abbreviations (e.g. >PS< polystyrene).

Therefore, plastic waste can be sorted out when the appliance is being disposed of.

Please follow the safety instructions under “Delivery”.

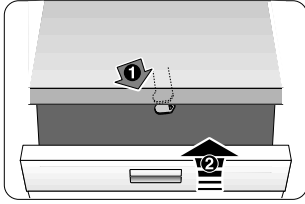
## Old appliances

Please follow the safety instructions under “Disposal of your appliance”.

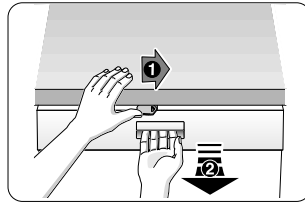


This appliance is identified according to the European guideline 2002/96/EC on waste electrical and electronic equipment – WEEE. The guideline specifies the framework for an EU-wide valid return and re-use of old appliances.

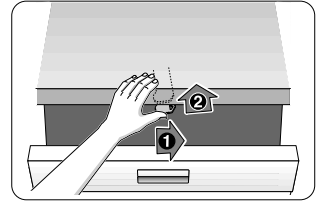
## Childproof lock (door lock) \*



40



41

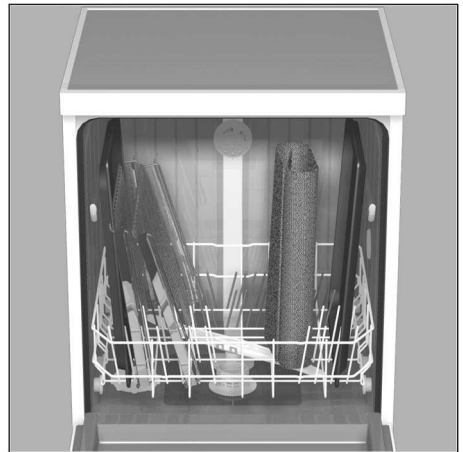
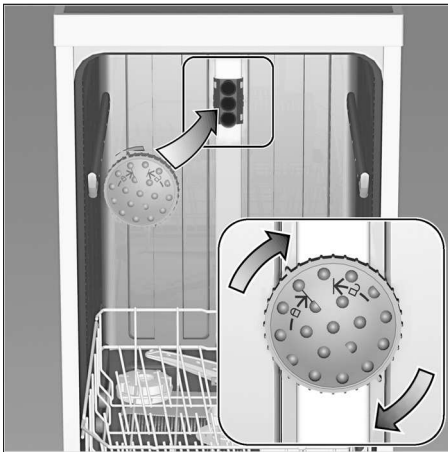


42

- 40 Activate the childproof lock.
- 41 Open the door with activated childproof lock.
- 42 Deactivate childproof lock.

Always close the appliance door completely when you leave the appliance. This is the only way you can protect your children from potential dangers.

## Baking sheet spray head \*



Large sheets or grilles and plates which have a diameter greater than 30 cm (gourmet plates, pasta plates, dinner plates) can be cleaned with the aid of the spray head. To do this, remove the top basket and insert the spray head as illustrated in the diagram.

To ensure that the spray jet can reach all parts, arrange the baking sheets as illustrated (max. 4 baking sheets and 2 grilles).

Never operate the dishwasher without the top basket or baking sheet spray head!

\* some models



# AQUA-STOP guarantee

(does not apply to appliances without Aqua-Stop)

**In addition to warranty claims against the seller based on the purchase contract and in addition to our appliance warranty** we will pay damages under the following conditions:

1. If our Aqua-Stop system is defective and causes water damage, we will make good the damage for private users.  
To ensure water damage protection, the appliance **must** be connected to the power supply.
2. This liability guarantee is valid for the service life of the appliance.
3. A prerequisite for the warranty claim is that the appliance has been correctly installed and connected with Aqua-Stop according to our instructions. This also includes the correct installation of the Aqua-Stop extension (original accessory). Our warranty does not extend to defective feed lines or fittings up to the Aqua-Stop connection on the tap.
4. If your appliance is fitted with Aqua-Stop, you can leave your appliance unattended during operation and leave the tap turned on afterwards. The tap should only be turned off if you are absent from home for a prolonged period, e.g. several weeks holiday.

Robert Bosch Hausgeräte GmbH  
Carl-Wery-Straße 34  
81739 München

## To book an engineer visit and product advice

GB 0844 / 8928979

Calls from a BT landline will be charged at up to 3 pence per minute.

A call set-up free of up to 6 pence may apply.

IE 01450 2655

US 800 944 2904

toll-free

Please find the contact data of all countries in the enclosed customer service list.

Internet: [www.bosch-home.com](http://www.bosch-home.com)