



Thinking of you
Electrolux



ESF 6800ROX

.....
EN DISHWASHER

.....
USER MANUAL



CONTENTS

1. SAFETY INSTRUCTIONS	3
2. PRODUCT DESCRIPTION	5
3. CONTROL PANEL	6
4. PROGRAMS	7
5. OPTIONS	9
6. BEFORE FIRST USE	10
7. DAILY USE	12
8. HINTS AND TIPS	14
9. CARE AND CLEANING	15
10. TROUBLESHOOTING	17
11. TECHNICAL INFORMATION	18
12. INSTALLATION	19
13. WARRANTY	21

WE'RE THINKING OF YOU

Thank you for purchasing an Electrolux appliance. You've chosen a product that brings with it decades of professional experience and innovation. Ingenious and stylish, it has been designed with you in mind. So whenever you use it, you can be safe in the knowledge that you'll get great results every time.

Welcome to Electrolux.

Visit our website for:



Get usage advice, brochures, trouble shooter, service information:
www.electrolux.com



Register your product for better service:
www.electrolux.com/productregistration



Buy Accessories, Consumables and Original spare parts for your appliance:
www.electrolux.com/shop

CUSTOMER CARE AND SERVICE

We recommend the use of original spare parts.

When contacting Service, ensure that you have the following data available.

The information can be found on the rating plate. Model, PNC, Serial Number.



Warning / Caution-Safety information



General information and tips



Environmental information

Subject to change without notice.

1. SAFETY INSTRUCTIONS

Before the installation and use of the appliance, carefully read the supplied instructions. The manufacturer is not responsible if an incorrect installation and use causes injuries and damages. Always keep the instructions with the appliance for future reference.

1.1 Children and vulnerable people safety



WARNING!

Risk of suffocation, injury or permanent disability.

- Do not let persons, children included, with reduced physical sensory, reduced mental functions or lack of experience and knowledge use the appliance. They must have supervision or instruction for the operation of the appliance by a person who is responsible for their safety.
- Do not let children play with the appliance.
- Keep all packaging away from children.
- Keep all detergents away from children.
- Keep children and pets away from the appliance door when it is open.

1.2 Installation

- Remove all the packaging.
- Do not install or use a damaged appliance.
- Do not install or use the appliance where the temperature is less than 0 °C.
- Do not drill into the sides of the appliance otherwise damage to hydraulic and electrical components may occur.

Electrical connection



WARNING!

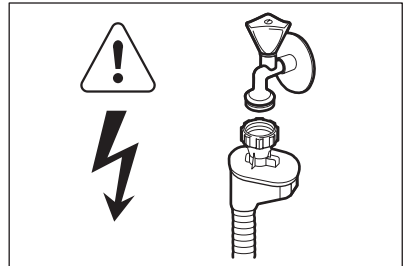
Risk of fire and electrical shock.

- The appliance must be earthed.
- Make sure that the electrical information on the rating plate agrees with the power supply. If not, contact an electrician.
- Always use a correctly installed shock-proof socket.

- Do not use multi-plug adapters and extension cables.
- Make sure not to cause damage to the mains plug and to the mains cable. Should the mains cable need to be replaced, this must be carried out by our Service centre.
- Connect the mains plug to the mains socket only at the end of the installation. Make sure that there is access to the mains plug after the installation.
- Do not pull the mains cable to disconnect the appliance. Always pull the mains plug.
- Do not touch the mains cable or the mains plug with wet hands.
- Test the appliance. Run a quick washing program and ensure that the appliance fills with water, washes and drains with no leaks.

Water connection

- Make sure not to cause damage to the water hoses.
- Before you connect the appliance to new pipes or pipes not used for a long time, let the water flow until it is clean.
- The first time you use the appliance, make sure that there is no leakage.
- The water inlet hose has a safety valve and a sheath with an inner mains cable.



WARNING!

Dangerous voltage.

- If the water inlet hose is damaged, immediately disconnect the mains plug from the mains socket. Contact the Service to replace the water inlet hose.

1.3 Use

- This appliance is intended to be used in household and similar applications such as:
 - Farm houses.
 - By clients in hotels, motels and other residential type environments.
 - Bed and breakfast type environments.



WARNING!

Risk of injury, burns, electrical shock or fire.

- Do not change the specification of this appliance.
- Put knives and cutlery with sharp points in the cutlery basket with the points down or in a horizontal position.
- The appliance can release hot steam if you open the door while a program operates.
- Do not keep the appliance door open without supervision to prevent to fall on it.
- Do not sit or stand on the open door.
- Obey the safety instructions from the manufacturer of the dishwasher detergent to prevent burns to eyes, mouth and throat.
- Only put detergent in the dispenser before you start a program.
- Check that the detergent dispenser is empty after completion of the program.

- Do not drink and play with the water in the appliance.
- Do not remove the dishes from the appliance until the program is completed. There can be detergent on the dishes.
- Make sure the dispenser is empty after the completion of the program.
- Do not put flammable products or items that are wet with flammable products in, near or on the appliance.
- Do not use water spray and steam to clean the appliance.

1.4 Internal lamp

- This appliance has an internal lamp that comes on when you open the door and goes off when the door is closed.
- The lamp in this appliance is not suitable for household room illumination.
- To replace the lamp, contact the Service.

1.5 Disposal

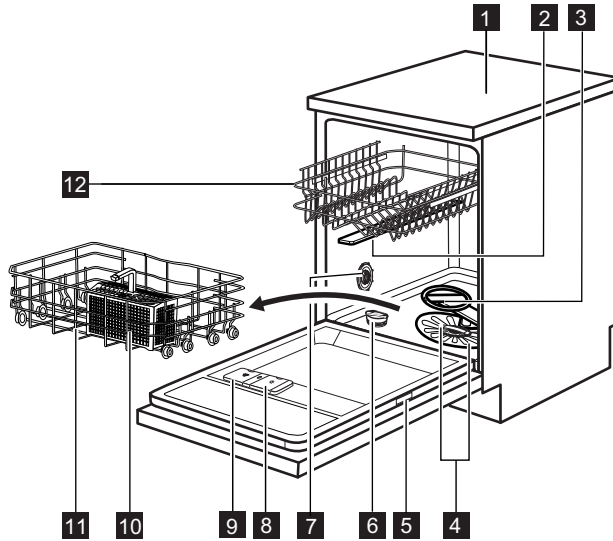


WARNING!

Risk of injury or suffocation.

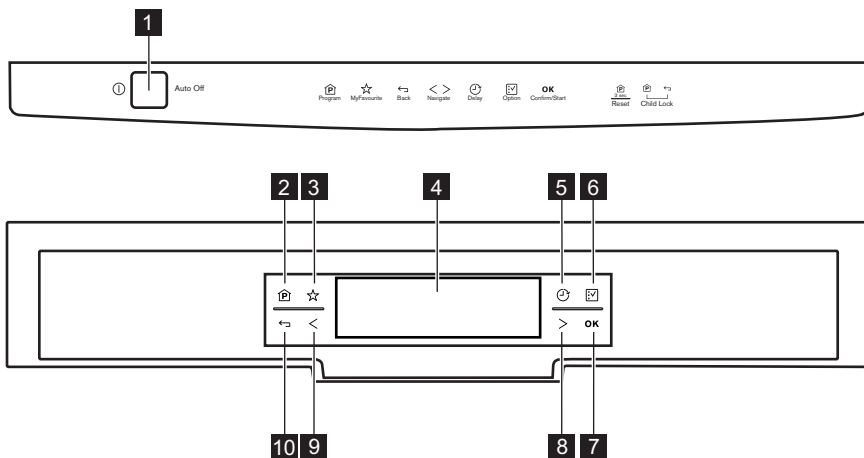
- Disconnect the appliance from the mains supply.
- Cut off the mains cable and discard it.
- Remove the door catch to prevent children and pets to get closed in the appliance.

2. PRODUCT DESCRIPTION



- | | |
|--------------------------|------------------------------|
| 1 Worktop | 7 Air vent |
| 2 Upper spray arm | 8 Rinse aid dispenser |
| 3 Lower spray arm | 9 Detergent dispenser |
| 4 Filters | 10 Cutlery basket |
| 5 Rating plate | 11 Lower basket |
| 6 Salt container | 12 Upper basket |

3. CONTROL PANEL



- 1** On/off button
- 2** **Program** touchpad
- 3** **MyFavourite** touchpad
- 4** Display
- 5** **Delay** touchpad

- 6** **Option** touchpad
- 7** **OK** touchpad
- 8** Navigation touchpad
- 9** Navigation touchpad
- 10** **Back** touchpad

4. PROGRAMS

Program	Degree of soil Type of load	Program phases	Options
ECO 50° 1)	Normal soil Crockery and cutlery	Prewash Wash 50 °C Rinses Dry	TimeSaver Multitab
AutoFlex 45°-70° 2)	All Crockery, cutlery, pots and pans	Prewash Wash from 45 °C to 70 °C Rinses Dry	Multitab
FlexiWash 50°-65° 3)	Mixed soil Crockery, cutlery, pots and pans	Prewash Wash 50 °C and 65 °C Rinses Dry	TimeSaver Multitab
Intensive 70° 4)	Heavy soil Crockery, cutlery, pots and pans	Prewash Wash 70 °C Rinses Dry	XtraPower 5) TimeSaver 5) Multitab
1 Hour 55°	Normal soil Crockery and cutlery	Wash 55 °C Rinses	Multitab
Quick Plus 60° 6)	Fresh soil Crockery and cutlery	Wash 60 °C Rinse	Multitab
Glass Care 45°	Normal or light soil Delicate crockery and glassware	Wash 45 °C Rinses Dry	Multitab
Rinse & Hold 7)	All	Prewash	

1) With this program you have the most efficient use of water and energy consumption for crockery and cutlery with normal soil. (This is the standard program for test institutes).

2) The appliance senses the degree of soil and the quantity of items in the baskets. It automatically adjusts the temperature and quantity of the water, the energy consumption and the program duration.

3) With this program you can wash different loads with different soil. A higher temperature and water pressure in the lower basket, to wash items with heavy soil (e.g. pots and pans). A lower temperature and water pressure in the upper basket, to wash items with normal soil (e.g. glassware).

4) This program has a high temperature rinsing phase for better hygiene results. During the rinsing phase, the temperature stays at 70 °C for at least 10 minutes.

5) It is not possible to apply together the options TimeSaver and XtraPower.

6) With this program you can wash a load with fresh soil. It gives good washing results in a short time.

7) Use this program to quickly rinse the dishes. This prevents the remaining food to bond on the dishes and bad odours to come out from the appliance.
Do not use detergent with this program.

Consumption values

Program 1)	Duration (min)	Energy (kWh)	Water (l)
ECO 50°	147 - 161	0.79 - 0.96	12.6 - 10.4
AutoFlex 45°-70°	40 - 150	0.7 - 1.5	7 - 14
FlexiWash 50°-65°	130 - 140	1.2 - 1.3	14 - 15
Intensive 70°	150 - 160	1.4 - 1.6	13 - 14
1 Hour 55°	55 - 65	1.0 - 1.2	10 - 11
Quick Plus 60°	30	0.9	9
Glass Care 45°	70 - 80	0.7 - 0.9	11 - 12
Rinse & Hold	14	0.1	4

1) The pressure and the temperature of the water, the variations of the mains supply, the options and the quantity of dishes can change the values.

Information for test institutes

For all the necessary information for test performance. send an email to:

info.test@dishwasher-production.com

Write down the product number (PNC) that is on the rating plate.

5. OPTIONS

5.1 Option menu

Menu	Submenu	Description of the option
XtraPower	On Off	This option increases the water pressure in the prewash and washing phases by 40%. The washing results are very good also with heavy soiled loads.
Set MyFavourite	The display shows the program menu.	With this option you can set and save the program that you use more frequently. Refer to the specific section in this chapter.
Time	Set hours and minutes.	Set the time of day.
End sound	On Off	Set the acoustic signal that operates when the program is completed. Factory setting: Off.
Key tones	Off Click Beep	Set the sound of the touchpads when they are pressed.
Volume	From 0 to 10 levels are available.	Adjust the volume of the acoustic signals. Level 0: volume off.
Brightness	From 1 to 9 levels are available.	Increase or decrease the brightness of the display.
Contrast	From 1 to 9 levels are available.	Increase or decrease the contrast between the messages and the display.
Water hardness	From 1 to 10 levels are available.	Adjust electronically the level of the water softener.
Languages	Different languages are available.	Set the language of the messages in the display. Factory setting: language English.
Reset settings	Reset Cancel	Restore the factory settings.
Child lock	Turn on Cancel	Prevent children to play with the touchpads on the control panel.
Multitab	On Off On + Rinse Aid	Activate this option only when you use multi-tablets. Refer to the specific section in this chapter.

How to set an option



If you want to set options together with the program, this must be done before the setting of a program.

1. Press **Option**. The display shows the option menu.
2. Press one of the navigation touchpads to go through the option menu and to select an option. Press **OK** to enter the submenu.
3. Press one of the navigation touchpads to change the setting and then press **OK** to confirm. The display shows the program menu.
If you want to set another option, repeat the procedure.

How to save the MyFavourite program

It is possible to save applicable options together with the program, in this case set the options before you save the program. You can only save 1 program at a time. A new setting cancels the previous one. It is not possible to save a delay start together with MyFavourite or to delay the start of a MyFavourite program.

1. Press **Option**.
2. Press one of the navigation touchpads and go to Set MyFavourite.
3. Press **OK**. The display shows the program menu.
4. Select the program and then press **OK** to confirm.

Multitab

This option deactivates the use of rinse aid and salt. The related messages for refilling stay off.

The program duration can increase.

- On: Multitab activated.

- Off: Multitab deactivated.
- On + Rinse Aid: Multitab and the rinse aid dispenser activated.

How to activate the Child lock option

This option prevents children to play with the touchpads on the control panel while a program is operating.

1. Once the programme starts, press at the same time **Program** and **Back**. The display shows the message that the Child lock is active.



To deactivate the Child lock option, repeat the procedure.

TimeSaver option

This option increases the pressure and the temperature of the water. The washing and drying phases are shorter. The total program duration decreases by approximately 50%. The washing results are the same as with the normal program duration. The drying results can decrease. When you select a program that is applicable with this option, you have the possibility to enable or disable the option.

1. Press one of the navigation touchpads to go through the program menu and select a program.
2. Press **OK**.
 - When the TimeSaver option is applicable to a program, the display shows the following condition:
 - Fast : if you confirm this condition you will enable the TimeSaver option.
 - Normal : if you confirm this condition you will disable the TimeSaver option.
3. Press **OK** to confirm the selection.

6. BEFORE FIRST USE

1. Press the on/off button to activate the appliance.
2. Set the language. The default language is English.
 - Press **OK** to confirm English.
 - Press one of navigation touchpads to select a different language and then press **OK** to confirm.

3. Set the time of day. Press **OK** to confirm.
4. Make sure that the set level of the water softener agrees with the water hardness in your area. If not, adjust the water softener. Contact your local water authority to know the water hardness in your area.
5. Fill the salt container.
6. Fill the rinse aid dispenser.
7. Open the water tap.
8. Processing residues can stay in the appliance. Start a program to remove them. Do not use detergent and do not load the baskets.

6.1 Adjusting the water softener

Water hardness				Water softener adjustment
German degrees (°dH)	French degrees (°fH)	mmol/l	Clarke degrees	Electronic
47 - 50	84 - 90	8.4 - 9.0	58 - 63	10
43 - 46	76 - 83	7.6 - 8.3	53 - 57	9
37 - 42	65 - 75	6.5 - 7.5	46 - 52	8
29 - 36	51 - 64	5.1 - 6.4	36 - 45	7
23 - 28	40 - 50	4.0 - 5.0	28 - 35	6
19 - 22	33 - 39	3.3 - 3.9	23 - 27	5 1)
15 - 18	26 - 32	2.6 - 3.2	18 - 22	4
11 - 14	19 - 25	1.9 - 2.5	13 - 17	3
4 - 10	7 - 18	0.7 - 1.8	5 - 12	2
< 4	< 7	< 0.7	< 5	1 2)

1) Factory setting.

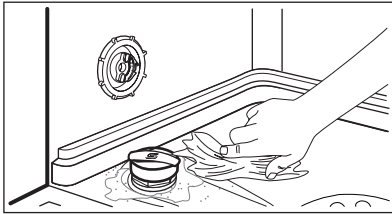
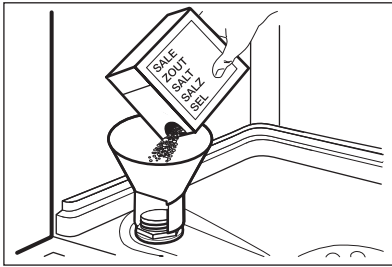
2) Do not use salt at this level.

Electronic adjustment

Open the option menu and according to the water hardness table, set the level of

the water softener. Refer to the option menu table.

6.2 Filling the salt container



1. Turn the cap counterclockwise and open the salt container.
2. Put 1 litre of water in the salt container (only for the first time).
3. Fill the salt container with dishwasher salt.
4. Remove the salt around the opening of the salt container.
5. Turn the cap clockwise to close the salt container.



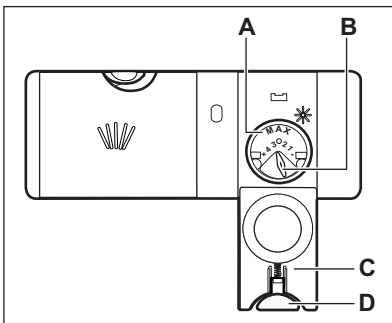
CAUTION!

Water and salt can come out from the salt container when you fill it. Risk of corrosion. To prevent it, after you fill the salt container, start a program.



The display shows a message when it is necessary to refill the salt container. The message stays off while a program operates.

6.3 Filling the rinse aid dispenser



1. Press the release button (D) to open the lid (C).
2. Fill the rinse aid dispenser (A), no more than the mark 'max'.
3. Remove the spilled rinse aid with an absorbent cloth to prevent too much foam.
4. Close the lid. Make sure that the release button locks into position.



You can turn the selector of the released quantity (B) between position 1 (lowest quantity) and position 4 (highest quantity).



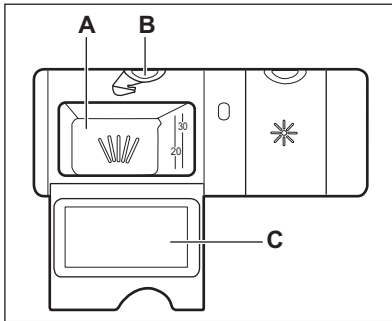
The display shows a message when it is necessary to refill the rinse aid dispenser. The message stays off while a program operates.

7. DAILY USE

1. Open the water tap.
2. Press the on/off button to activate the appliance.

- If the display shows the salt message, fill the salt container.
 - If the display shows the rinse aid message, fill the rinse aid dispenser.
3. Load the baskets.

7.1 Using the detergent



1. Press the release button (B) to open the lid (C).
2. Put the detergent in the compartment (A).
3. If the program has a prewash phase, put a small quantity of detergent on the inner part of the appliance door.
4. If you use detergent tablets, put the tablet in the compartment (A).
5. Close the lid. Make sure that the release button locks into position.

7.2 Setting and starting a program

The Auto Off function

To decrease the energy consumption, this function automatically deactivates the appliance a few minutes after:

- You have not closed the door.
- You have not pressed **OK** to start the program.
- The program is completed.

Starting a program without delay start

1. Press the on/off button to activate the appliance.
2. Close the appliance door.
3. Set the applicable options.
4. Set a program.
 - Press one of the navigation touchpads to go through the program menu and select a program. Press **OK** to confirm. The program starts.
 - If you want to start the MyFavourite program, press **MyFavourite**. The program starts.

When a program starts, the display shows:

- Duration of the program that decreases with steps of 1 minute.

- Symbol of the program.
- In the lower part of the display a program bar is visible. While the program operates, the middle segments come on with fixed light, while the 2 lateral segments flash. The number of segments with fixed light increases as the program progresses.

Starting a program with delay start

1. Set the applicable options.
2. Set a program.
3. Press **Delay**. The display shows:
 - Start : Start time of the program.
 - End : End time of the program.
4. Press the navigation touchpad on your right to set the delay. You can delay the start of the program from 1 to 24 hours. As the number of hours increases the time indicated in Start and End is updated. To decrease the number of hours press the navigation touchpad on your left.
5. Press **OK** to confirm and to start the countdown of the delay start. When the countdown is completed, the program starts.

Opening the door while the appliance operates

If you open the door, the appliance stops. When you close the door, the appliance continues from the point of interruption.

How to cancel the delay start while the countdown operates

When you cancel the delay start, you have to set the program and options again.

1. Press **Program**.
2. The display shows Cancel washing ?
3. Press one of the navigation touchpads to select Stop to cancel the delay start or Resume to continue the countdown.

How to cancel a running program

1. Press **Program**.
2. The display shows Cancel washing ?
3. Press one of the navigation touchpads to select Stop to cancel the program or Resume to continue the program.



Make sure that there is detergent in the detergent dispenser before you start a new program.

At the end of the program

The display shows:

- 0:00
 - End of program
 - All the segments of the program bar are on with fixed light.
1. Press the on/off button or wait for the Auto Off function to automatically deactivate the appliance.
 2. Close the water tap.

Important

- For better drying results, keep the door ajar for some minutes before you remove the dishes.
- Let the dishes become cold before you remove them from the appliance. Hot dishes can be easily damaged.
- First remove the items from the lower basket, then from the upper basket.
- There can be water on the sides and on the door of the appliance. Stainless steel becomes cool more quickly than the dishes.

8. HINTS AND TIPS

8.1 The water softener

Hard water contains a high quantity of minerals that can cause damage to the appliance and bad washing results. The water softener neutralises these minerals. The dishwasher salt keeps the water softener clean and in good conditions. It is important to set the right level of the water softener. This makes sure that the water softener uses the correct quantity of dishwasher salt and water.

8.2 Using salt, rinse aid and detergent

- Only use salt, rinse aid and detergent for dishwasher. Other products can cause damage to the appliance.
- The rinse aid helps, during the last rinsing phase, to dry the dishes without streaks and stains.
- Multi-tablets contain detergent, rinse aid and other added agents. Be sure that these tablets are applicable to the water hardness in your area. Refer to the instructions on the packaging of the products.
- Detergent tablets do not fully dissolve with short programs. To prevent deter-

gent residues on the tableware, we recommend that you use the tablets with long programs.



Do not use more than the correct quantity of detergent. Refer to the instructions on the detergent packaging.

8.3 What to do if you want to stop using multi-tablets

1. Set the water softener to the highest level.
2. Make sure that the salt container and the rinse aid dispenser are full.
3. Start the shortest program with a rinsing phase, without detergent and without dishes.
4. Adjust the water softener according to the water hardness in your area.
5. Adjust the released quantity of rinse aid.

8.4 Loading the baskets



Refer to the supplied leaflet with examples of the load of the baskets.

- Only use the appliance to wash items that are dishwasher-safe.
- Do not put in the appliance items made of wood, horn, aluminium, pewter and copper.
- Do not put in the appliance items that can absorb water (sponges, household cloths).

- Remove remaining food from the items.
- To remove easily remaining burned food, soak pots and pans in water before you put them in the appliance.
- Put hollow items (cups, glasses and pans) with the opening down.
- Make sure that cutlery and dishes do not bond together. Mix spoons with other cutlery.
- Make sure that glasses do not touch other glasses.
- Put the small items in the cutlery basket.
- Put the light items in the upper basket. Make sure that they do not move.
- Make sure that the spray arms can move freely before you start a program.

8.5 Before starting a program

Make sure that:

- The filters are clean and correctly installed.
- The spray arms are not clogged.
- The position of the items in the baskets is correct.
- The program is applicable for the type of load and for the degree of soil.
- The correct quantity of detergent is used.
- There is dishwasher salt and rinse aid (unless you use multi-tablets).
- The cap of the salt container is tight.

9. CARE AND CLEANING



WARNING!

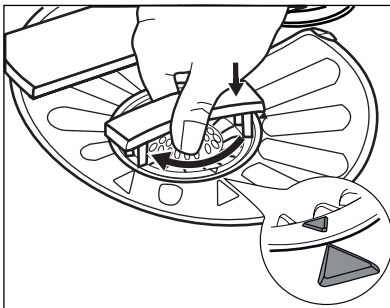
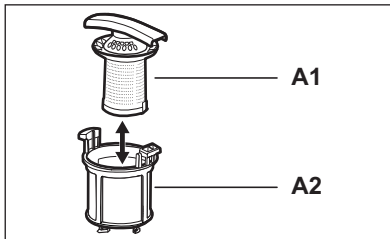
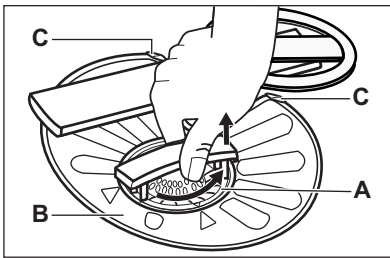
Before maintenance, deactivate the appliance and disconnect the mains plug from the mains socket.



Dirty filters and clogged spray arms decrease the washing results.

Make a check regularly and, if necessary, clean them.

9.1 Cleaning the filters



1. Turn the filter (**A**) counterclockwise and remove it.
2. To disassemble the filter (**A**), pull apart (**A1**) and (**A2**).
3. Remove the filter (**B**).
4. Wash the filters with water.
5. Before you put the filter (**B**) back, make sure that there are no residues of food or soil in or around the edge of the sump.
6. Make sure that the filter (**B**) is correctly positioned under the 2 guides (**C**).
7. Assemble the filter (**A**) and put it back in filter (**B**). Turn it clockwise until it locks.



An incorrect position of the filters can cause bad washing results and damage to the appliance.

9.2 Cleaning the spray arms

Do not remove the spray arms. If the holes in the spray arms are clogged, remove remaining parts of soil with a thin pointed object.

9.3 External cleaning

Clean the appliance with a moist soft cloth.

Only use neutral detergents. Do not use abrasive products, abrasive cleaning pads or solvents.

9.4 Internal cleaning

If you regularly use short duration programs, these can leave deposits of grease and limescale inside the appliance. To prevent this, we recommend to run long duration programs at least 2 times per month.

10. TROUBLESHOOTING

The appliance does not start or it stops during operation.
An intermittent acoustic signal operates.
Before you contact the Service, refer to the information that follows for a solution to the problem.

With some problems, the display shows a message.

Display	Problem
Attention: no intake of water possible.	The appliance does not fill with water.
Attention: water is not draining.	The appliance does not drain the water.
Attention: The anti flood system has been activated.	The anti-flood device is on.

Problem	Possible solution
You cannot activate the appliance.	Make sure that the mains plug is connected to the mains socket.
	Make sure that there is not a damaged fuse in the fuse box.
The program does not start.	Make sure that the appliance door is closed.
	Press OK .
	If the delay start is set, cancel the setting or wait for the end of the countdown.
The appliance does not fill with water.	Make sure that the water tap is open.
	Make sure that the pressure of the water supply is not too low. For this information, contact your local water authority.
	Make sure that the water tap is not clogged.
	Make sure that the filter in the inlet hose is not clogged.
	Make sure that the inlet hose has no kinks or bends.
The appliance does not drain the water.	Make sure that the sink spigot is not clogged.
	Make sure that the drain hose has no kinks or bends.
The anti-flood device is on.	Close the water tap and contact the Service.

When the check is completed, deactivate and activate the appliance. The program continues from the point of interruption.
If the problem occurs again, contact the Service.
If the display shows other messages, contact the Service.

10.1 If the washing and drying results are not satisfactory

Whitish streaks or bluish layers on glasses and dishes

- The released quantity of rinse aid is too much. Adjust the rinse aid selector to a lower position.
- The quantity of detergent is too much.

Stains and dry water drops on glasses and dishes

- The released quantity of rinse aid is not sufficient. Adjust the rinse aid selector to a higher position.
- The quality of the detergent can be the cause.

Dishes are wet

- The program is without a drying phase or with a low temperature drying phase. Leave the door ajar for some minutes before you remove the dishes.

- The rinse aid dispenser is empty.
- The quality of the rinse aid can be the cause.
- The quality of the multi-tablets can be the cause. Try a different brand or activate the rinse aid dispenser and use rinse aid together with multi-tablets.



Refer to "HINTS AND TIPS" for other possible causes.

10.2 How to activate the rinse aid dispenser

1. Go to Multitab in the option menu and select On + Rinse Aid .
2. Adjust the released quantity of rinse aid.
3. Fill the rinse aid dispenser.

11. TECHNICAL INFORMATION

Dimensions	Width / Height / Depth (mm)	596 / 850 / 610
Electrical connection	Refer to the rating plate.	
	Voltage	220-240 V
	Frequency	50 Hz
Water supply pressure	Min. / max. (bar / MPa)	(0.5 / 0.05) / (8 / 0.8)
Water supply 1)	Cold water or hot water 2)	max. 60 °C
Capacity	Place settings	14

1) Connect the water inlet hose to a water tap with a 3/4" thread.

2) If the hot water comes from alternative sources of energy, (e.g. solar panels, wind turbine energy), use the hot water supply to decrease energy consumption.

12. INSTALLATION

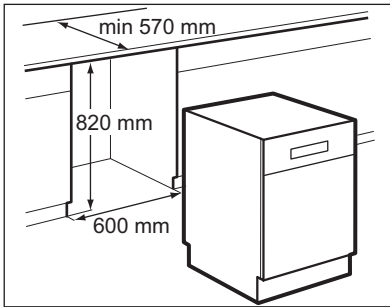
12.1 Fitting under a kitchen counter

The plinth of a freestanding appliance is not adjustable.

Do not remove the appliance worktop if you want to use it as a freestanding unit.

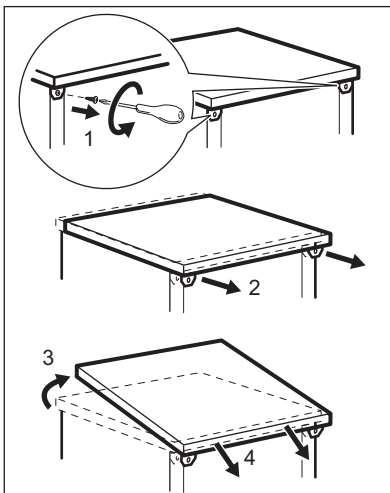
It is not necessary to remove the worktop when installing under a standard kitchen counter.

Only remove the appliance worktop to install it under a close fitting sink unit or kitchen counter (820 mm).



1. Put the appliance adjacent to a water tap and a water drain.
2. Make sure that the dimensions of the recess agree with the dimensions in the figure.

Removing the worktop



3. Remove the rear screws (1).
4. Pull the worktop from behind (2).
5. Lift the worktop and move it from the front slots. (3)
6. Level the appliance using the adjustable feet.
7. Install the appliance under the kitchen counter.

Adjusting the level of the appliance

A correct adjustment of the level of the appliance allows the door to close and seal correctly.

If the door does not close correctly, loosen or tighten the adjustable feet to level the appliance.

12.2 Water connection

Water inlet hose

Connect the inlet hose to a water tap with an external BSP thread spout of 3/4". For best washing performance it is recommended to connect the appliance to a cold water supply.

Energy savings can be made by connecting the appliance to a Solar water system and using economy options, however the water temperature must not exceed 60 °C.

Inlet water supply

- Water pressure: 800 kPa max - 50 kPa min.
- Water flow rate 10 L / minute min.
- If water pressure is in excess of 800 kPa, a pressure reducing valve should be used. Check for leaks.
- If water temperature is in excess of 60 °C, a tempering valve should be used. Check for leaks.



CAUTION!

Always use new hoses when you connect the appliance to the water mains. Old hoses must not be used. The water inlet hose must be examined at an interval of twelve months for deterioration and replaced if necessary.

The water pressure must be in the limits, refer to "TECHNICAL INFORMATION".

Make sure that the local water authority gives you the average mains pressure in your area.

Water drain hose

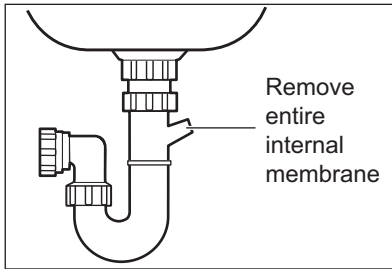
The highest point of the drain hose must be no more than 600 mm from the floor and must have a continuous fall to the plumbing connection.

The drain hose can be lengthened using additional lengths and connectors. These must be purchased from Electrolux Spare Parts. The extension length must not exceed 2 metres.

The drain hose must be free of obstructions.

Remove the sink plug when the appliance drains the water to prevent that the water goes back into the appliance.

The appliance has a security feature to prevent dirty water going back into the appliance. If the spigot of the sink has a non-return valve, this valve can cause the appliance to drain incorrectly. Remove the non-return valve.



If you connect the water drain hose to a trap spigot under the sink, remove the plastic membrane. If you do not remove the membrane, remaining food can cause a blockage in the drain hose spigot.

13. WARRANTY

Electrolux

FOR SALES IN AUSTRALIA AND NEW ZEALAND

APPLIANCE: DISHWASHER

This document sets out the terms and conditions of the product warranties for Electrolux Appliances. It is an important document. Please keep it with your proof of purchase documents in a safe place for future reference should you require service for your Appliance.

1. In this warranty
 - a) 'acceptable quality' as referred to in clause 10 of this warranty has the same meaning referred to in the ACL;
 - b) 'ACL' means Trade Practices Amendment (Australian Consumer Law) Act (No.2) 2010;
 - c) 'Appliance' means any Electrolux product purchased by you accompanied by this document;
 - d) 'ASC' means Electrolux' authorised serviced centres;
 - e) 'Electrolux' means Electrolux Home Products Pty Ltd of 163 O'Riordan Street, Mascot, NSW 2020, ABN 51 004 762 341 in respect of Appliances purchased in Australia and Electrolux (NZ) Limited of 3-5 Niall Burgess Road, Mount Wellington, in respect of Appliances purchased in New Zealand;
 - f) 'major failure' as referred to in clause 10 of this warranty has the same meaning referred to in the ACL and includes a situation when an Appliance cannot be repaired or it is uneconomic for Electrolux, at its discretion, to repair an Appliance during the Warranty Period;
 - g) 'Warranty Period' means:
 - where the Appliance is used for personal, domestic or household use (i.e. normal single family use) as set out in the instruction manual, the Appliance is warranted against manufacturing defects in Australia for 24 months and in New Zealand for 24 months, following the date of original purchase of the Appliance;
 - this Appliance is not designed for commercial use and therefore no warranty applies in this case;
 - h) 'you' means the purchaser of the Appliance not having purchased the Appliance for re-sale, and 'your' has a corresponding meaning.
2. This warranty only applies to Appliances purchased and used in Australia or New Zealand and is in addition to (and does not exclude, restrict, or modify in any way) any non-excludable statutory warranties in Australia or New Zealand.
3. During the Warranty Period Electrolux or its ASC will, at no extra charge if your Appliance is readily accessible for service, without special equipment and subject to these terms and conditions, repair or replace any parts which it considers to be defective. Electrolux or its ASC may use remanufactured parts to repair your Appliance. You agree that any replaced Appliances or parts become the property of Electrolux. This warranty does not apply to light globes, batteries, filters or similar perishable parts.
4. Parts and Appliances not supplied by Electrolux are not covered by this warranty.
5. You will bear the cost of transportation, travel and delivery of the Appliance to and from Electrolux or its ASC. If you reside outside of the service area, you will bear the cost of:
 - a) travel of an authorised representative;
 - b) transportation and delivery of the Appliance to and from Electrolux or its ASC,
 In all instances, unless the Appliance is transported by Electrolux or an Electrolux authorised representative, the Appliance is transported at the

- owner's cost and risk while in transit to and from Electrolux or its ASC.
6. Proof of purchase is required before you can make a claim under this warranty.
 7. You may not make a claim under this warranty unless the defect claimed is due to faulty or defective parts or workmanship. Electrolux is not liable in the following situations (which are not exhaustive):
 - a) the Appliance is damaged by:
 - accident
 - misuse or abuse, including failure to properly maintain or service
 - normal wear and tear
 - power surges, electrical storm damage or incorrect power supply
 - incomplete or improper installation
 - incorrect, improper or inappropriate operation
 - insect or vermin infestation
 - failure to comply with any additional instructions supplied with the Appliance;
 - b) the Appliance is modified without authority from Electrolux in writing;
 - c) the Appliance's serial number or warranty seal has been removed or defaced;
 - d) the Appliance was serviced or repaired by anyone other than Electrolux, an authorised repairer or ASC.
 8. This warranty, the contract to which it relates and the relationship between you and Electrolux are governed by the law applicable where the Appliance was purchased. Where the Appliance was purchased in New Zealand for business purposes the Consumer Guarantee Act does not apply.
 9. To the extent permitted by law, Electrolux excludes all warranties and liabilities (other than as contained in this document) including liability for any loss or damage whether direct or indirect arising from your purchase, use or non use of the Appliance.
 10. For Appliances and services provided by Electrolux in Australia, the Appliances come with a guarantee by Electrolux that cannot be excluded under the Australian Consumer Law. You are entitled to a replacement or refund for a major failure and for compensation for any other reasonably foreseeable loss or damage. You are also entitled to have the Appliance repaired or replaced if the Appliance fails to be of acceptable quality and the failure does not amount to a major failure. The benefits to you given by this warranty are in addition to your other rights and remedies under a law in relation to the Appliances or services to which the warranty relates.
 11. At all times during the Warranty Period, Electrolux shall, at its discretion, determine whether repair, replacement or refund will apply if an Appliance has a valid warranty claim applicable to it.
 12. For Appliances and services provided by Electrolux in New Zealand, the Appliances come with a guarantee by Electrolux pursuant to the provisions of the Consumer Guarantees Act, the Sale of Goods Act and the Fair Trading Act.
 13. To enquire about claiming under this warranty, please follow these steps:
 - a) carefully check the operating instructions, user manual and the terms of this warranty;
 - b) have the model and serial number of the Appliance available;
 - c) have the proof of purchase (eg an invoice) available;
 - d) telephone the numbers shown below.
 14. You accept that if you make a warranty claim, Electrolux and its ASC may exchange information in relation to you to enable Electrolux to meet its obligations under this warranty.

Before calling for service, please ensure that the steps listed in point 13 above have been followed.

FOR SERVICE

or to find the address of your nearest state service centre in Australia

Please call 13 13 4 9

For the cost of a local call (Australia only)

SERVICE AUSTRALIA

 **Electrolux**
ELECTROLUX HOME PRODUCTS

www.electrolux.com.au

FOR SPARE PARTS

or to find the address of your nearest state spare parts centre in Australia

Please call 13 13 50

For the cost of a local call (Australia only)

FOR SERVICE

or to find the address of your nearest authorised service centre in New Zealand

Free call 0800 10 66 10

(New Zealand only)

SERVICE NEW ZEALAND

 **Electrolux**
ELECTROLUX HOME PRODUCTS

www.electrolux.co.nz


FOR SPARE PARTS

or to find the address of your nearest state spare parts centre in New Zealand

Free call 0800 10 66 20

(New Zealand only)

14. ENVIRONMENT CONCERNS

Recycle the materials with the symbol . Put the packaging in applicable containers to recycle it. Help protect the environment and human health and to recycle waste of electrical

and electronic appliances. Do not dispose appliances marked with the symbol  with the household waste. Return the product to your local recycling facility or contact your municipal office.

www.electrolux.com/shop



117910951-A-202013

