

Operating Instructions

Dishwasher

Dear Customer,

Thank you for choosing this quality product from ASKO.

We hope it will meet your expectations and fulfil your needs for many years to come. Scandinavian design combines clean lines, everyday functionality and high quality. These are key characteristics of all our products and the reason they are greatly appreciated throughout the world.

To get the most from your new dishwasher, we recommend that you read the operating instructions before using the dishwasher. The operating instructions also include information on how you can help protect the environment.



ASKO D5434
Operating Instructions

Contents

Before washing for the first time	3	Troubleshooting	25
Read the operating instructions	3	Performance information	28
Be careful with certain materials	3	Installation	30
Checking water hardness	3	Safety instructions	30
Safety instructions	4	Suggested machine installations	31
General	4	Adjust the height and slide the dishwasher into place	32
Installation	4	Drainage connection	33
Winter storage/Transport	4	Connection to water supply	34
Overflow guard function	4	Electrical connection	34
Cleaning	4	Adjusting the plinth (only when using toe kick accessory)	34
Packing material	4	Set the correct plinth depth as follows	35
Disposal	4	Screwing the dishwasher into place	35
Child safety	5	Service	36
Child safety and dishwashing	5	Quick guide	40
Activate the child safety lock	5		
Activate child lock (button lock)	5		
Dishwasher components	6		
Dishwasher baskets	7		
Front panel	9		
Dispenser	10		
Economic dishwashing	11		
Fragile dishes	12		
Dishwashing	13		
Load the baskets correctly	13		
Check that the spray arms can rotate freely	13		
Add detergent	13		
Press the main power switch and close the door	14		
Select the program	14		
Select options	16		
Press Start/Stop	16		
After dishwashing	17		
Settings	18		
Time remaining	19		
Care and cleaning	20		
Rinse aid	23		
Error messages	24		

Before washing for the first time

Read the operating instructions

Read through the operating instructions before using the dishwasher, especially the sections Safety instructions, Child safety and Dishwashing.

Be careful with certain materials

Read the section Fragile dishes before dishwashing porcelain with unglazed decoration or other utensils made from plastic, wood or crystal that you value.

Checking water hardness

Contact the local water utility to check the water hardness in your area. This is important with regard to how much detergent and rinse aid to use.

Safety instructions



General

- Read the operating instructions and keep them in a safe place!
- Never use the dishwasher for any purpose other than that specified in these operating instructions.
- Do not load the dishwasher door or dishwasher baskets with anything other than dishes.
- Never leave the dishwasher door open as someone may trip on it.
- Use only dishwasher detergent!
- Place knives and other sharp items so that they cannot harm anyone or damage the dishwasher.
- The machine is not designed to be used by persons (even children) that are physically or mentally handicapped or lack experience and knowledge. Such persons must receive instruction in how to use the machine from the person responsible for their safety.
- Damaged mains cables must only be replaced by a qualified electrician.
- This dishwasher is for household or similar use, such as:
 - staff kitchens in shops, offices and other workplaces.
 - farms.
 - for guests at hotels, motels and other types of accommodation.
 - bed & breakfast hotels.
- Never place dishes with solvent residues in the dishwasher due to the risk of explosion. Nor may dishes that contain ash, wax or lubricants be washed in the dishwasher.
- Young children should be supervised to ensure that they do not play with the appliance.
- The appliance is not intended for use by young children or infirm persons without supervision.

Installation

See the section Installation.

Winter storage/Transport

- Store the dishwasher where the temperature remains above freezing.
- Avoid long transport distances in very cold weather.
- Transport the dishwasher upright or laying on its back.

Overflow guard function

The overflow protection starts pumping out the machine and turns off the water supply if the water level in the dishwasher exceeds the normal level. If the overflow protection is triggered, turn off the water supply and call the service division.

Cleaning

When cleaning the edge around the door, use only a slightly damp cloth. Do not spray water around the edge! Moisture can make its way into the lock, which contains electrical components.

Packing material

Sort waste materials in accordance with local guidelines.

Disposal

- When the dishwasher has reached the end of its service life and is to be disposed of, it should immediately be made unusable. Pull out the power cable and cut it as short as possible.
- The dishwasher is manufactured and labelled for recycling.
- Contact your local authority for information about where and how your dishwasher should be correctly recycled.

Child safety



Child safety and dishwashing

- Use the knife stand for all long/sharp items.
- Always close the door and start the program immediately after you have added the detergent.
- Keep children away from the dishwasher when the door is open. Some detergent may remain inside!
- Do not allow children to use or play with the dishwasher. Be especially vigilant when the door is open.

WARNING!



Children must be supervised – dishwasher detergent is corrosive!

Store detergent and rinse aid out of the reach of children! If anyone swallows dishwasher detergent, they should immediately drink one or two glasses of milk or water. Do not attempt to induce vomiting. Contact a doctor! If anyone gets dishwasher detergent in their eyes, rinse (for at least 15 minutes) with plenty of water.

WARNING!



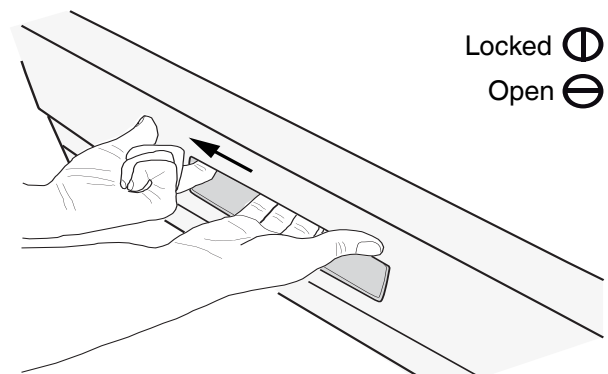
Dishwasher detergents are strongly alkaline. They can be extremely dangerous if swallowed. Avoid contact with skin and eyes and keep children away from the dishwasher when the door is open.

Check that the detergent compartment is empty after completion of the wash cycle.

Activate the child safety lock

(only certain models)

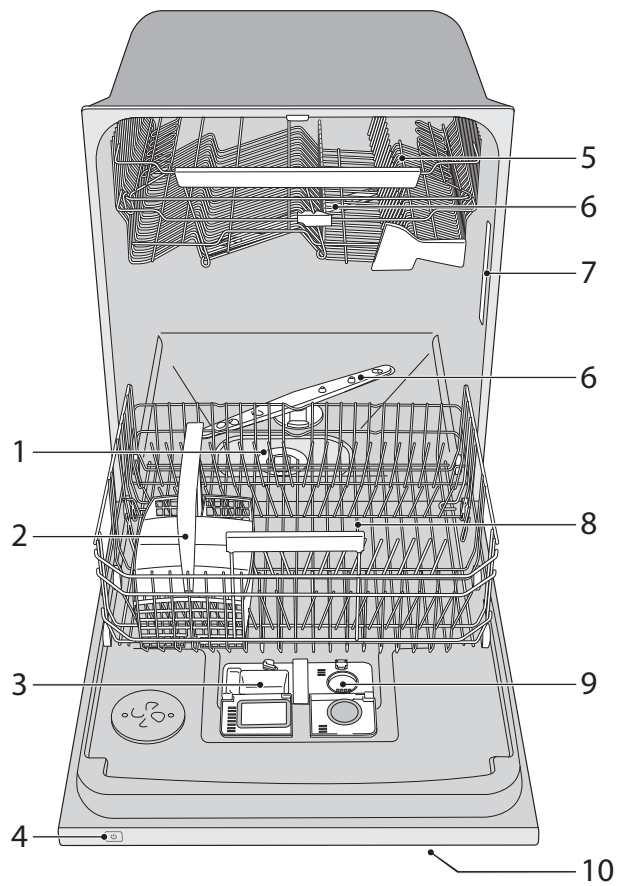
A child safety lock is fitted to prevent children from opening the dishwasher door. To activate the child safety lock, press in the door latch and use a screwdriver to turn the screw slot (top left-hand corner) to a vertical position. To open the door, you must press the white plastic catch (illustrated below) to the left while pressing the door latch up. Reset by turning the screw slot back to a horizontal position.



Activate child lock (button lock)

You can activate the child lock (button lock) to prevent children from starting the dishwasher (see the section Settings).

Dishwasher components*

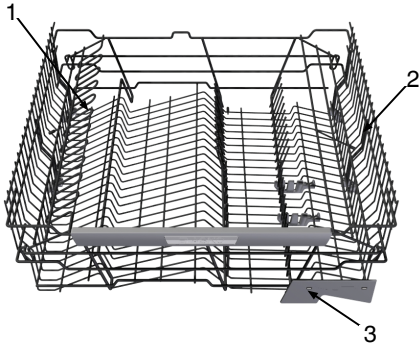


- | | |
|--------------------------|--------------------------|
| 1. Filters | 6. Spray arms |
| 2. Cutlery basket | 7. Serial number plate |
| 3. Detergent compartment | 8. Lower basket |
| 4. Main power switch | 9. Rinse aid compartment |
| 5. Upper basket | 10. Panel |

*Specifications may differ depending on the model and market.

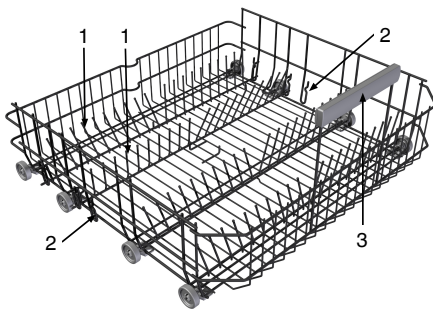
Dishwasher baskets*

Upper basket



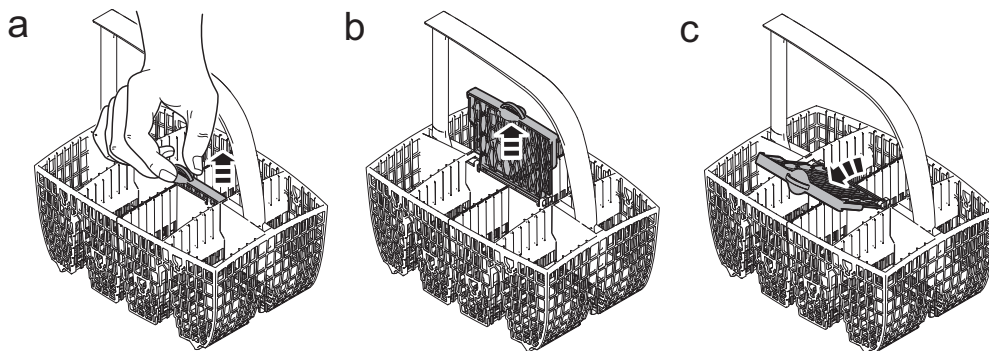
1. Wine glass shelf
2. Cup shelf
3. Knife guard

Lower basket



1. Fold-down plate support
2. Forward mount for plate support (used for plates with a diameter greater than 25 cm)
3. Handle

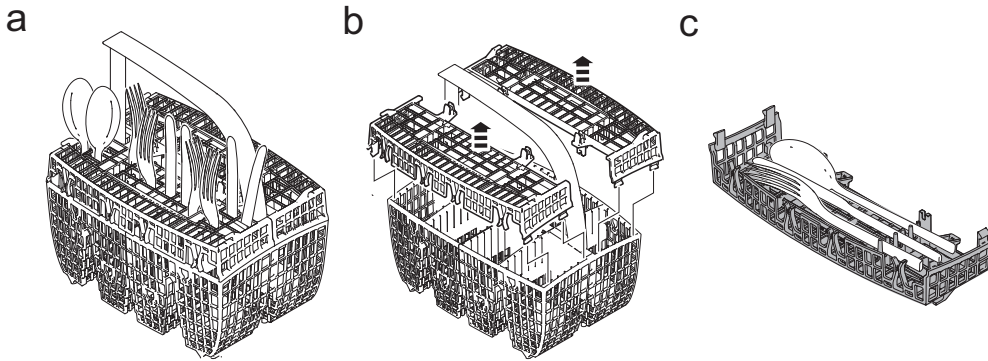
Cutlery basket



*Specifications may differ depending on the model and market.

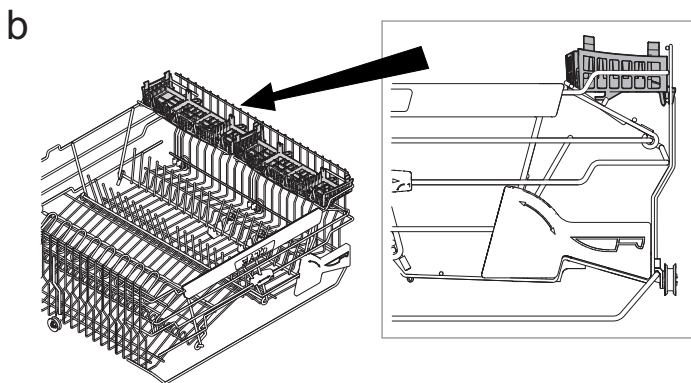
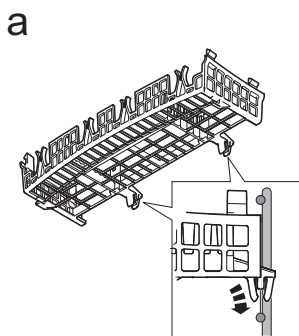
Dishwasher baskets*

Cutlery basket with lid



Positioning of cutlery basket lid (in upper basket)

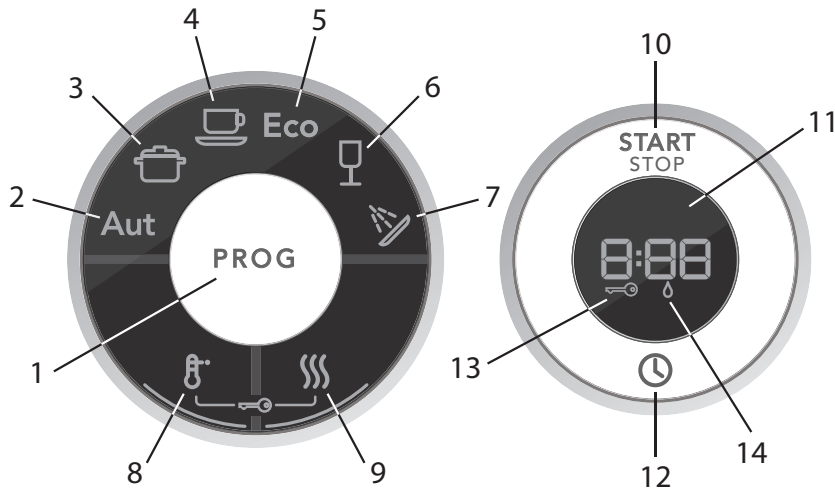
The cutlery basket lid can be removed and used, for example, as an extra cutlery basket in the upper basket (see below).



*Specifications may differ depending on the model and market.

Front panel

The panel is fitted with touch buttons with audible feedback (see the chapter Settings).

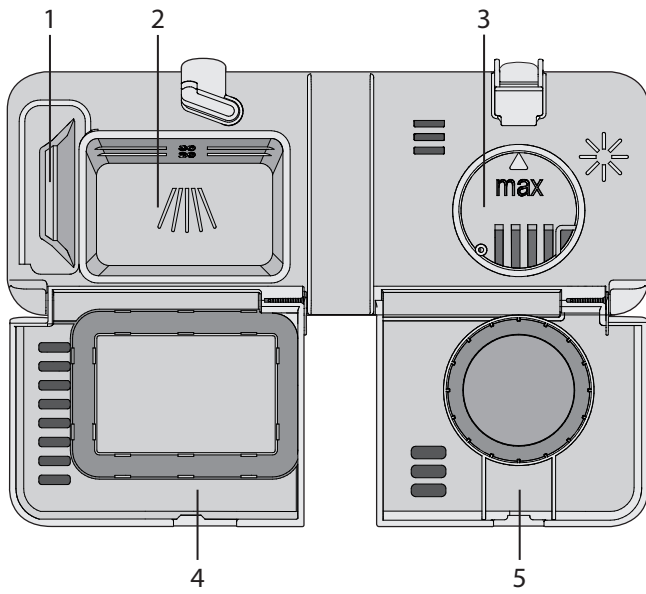


- | | | | |
|----|------------------|-----|--------------------------|
| 1. | Program selector | 8. | Temperature |
| 2. | Auto wash | 9. | Drying |
| 3. | Heavy wash | 10. | Start/Stop |
| 4. | Normal wash | 11. | Display |
| 5. | Eco wash | 12. | Delayed start |
| 6. | Quick wash | 13. | Child lock (button lock) |
| 7. | Rinse & Hold | 14. | Rinse aid indicator |

NOTE!

- Keep the touch buttons clean and free from grease. Wipe them clean with a dry or slightly damp cloth. Never use cleaners – they can scratch the surface. Use the main power switch to turn off the dishwasher before cleaning the touch buttons to avoid activating any buttons unintentionally.

Dispenser



1. Prewash detergent compartment
2. Main wash detergent compartment
3. Rinse aid compartment
4. Detergent compartment lid
5. Rinse aid compartment lid

Economic dishwashing

Run programs only with a full load

Wait to run a program until the dishwasher is full. This way you save energy. Use the Rinse & Hold program to rinse the dishes if there are any unpleasant odours while you wait for the dishwasher to become fully loaded.

Run programs at a lower temperature

If the dishes are only slightly dirty, you can select a lower temperature with certain programs. See also the section Select options in the chapter Dishwashing.

Select a program with Short dry

To save energy, use Short dry. The drying result will be better if, once the program is finished, you leave the door slightly open.

Do not rinse under running water

Simply scrape off large food particles before loading the dishwasher.

Choose a green detergent

Read the environmental declaration on the packaging!

Connect to cold water...

If you use oil or electricity to heat your home.

Connect to hot water (max. 70 °C)...

If you use district heating, solar power or geothermal power to heat your home. Choosing a hot water connection cuts program times and reduces the dishwasher's electricity consumption.

Fragile dishes

Some cookware is not dishwasher safe. This can be for several reasons. Some materials cannot withstand strong heat, others can be damaged by dishwashing detergent.

Fragile decoration

Porcelain with decoration on top of the glazing (the items feel rough) should not be washed in a dishwasher.

Crystal/Glass

Position items so that they do not touch each other during the wash. Use the lowest possible wash temperature and the shortest possible program. Select Short dry. Antique and very fragile items should not be washed in a dishwasher.

Glass washed in a dishwasher at high temperatures can gradually develop a grey film that cannot be removed. Wash fragile glasses at a low temperature and with a small amount of detergent.

Silver

Silver and stainless steel items should not come into contact, as the silver can become discoloured.

Cutlery with glued handles

Some types of glue are not dishwasher safe. In such cases, the handles may loosen.

Wood

Wooden items should only be washed in a dishwasher if marked dishwasher safe.

Aluminium

Aluminium can lose its shine if washed in a dishwasher. However, good quality aluminium pans can be washed in a dishwasher, even if some of the shine will be lost.

Plastic items

Avoid washing plastic items that cannot withstand high temperatures.

Dishwashing

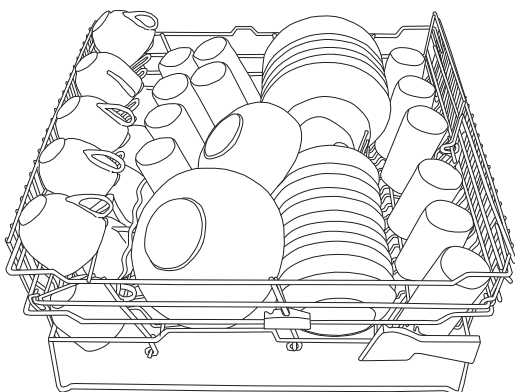
Below are step-by-step instructions to help you achieve the best possible dishwashing results.

1 Load the baskets correctly

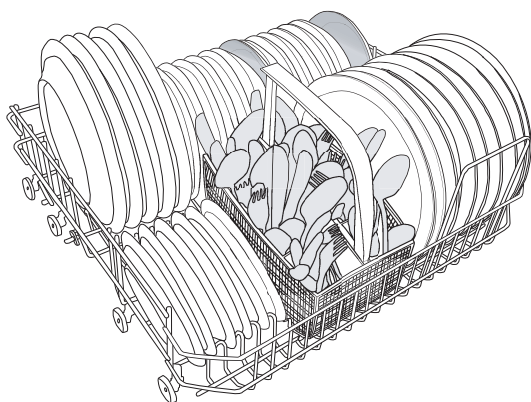
Do not rinse dishes under running water before loading them in the dishwasher. Simply scrape off large food particles before loading the dishwasher. Place glasses, cups, bowls, side plates and saucers in the upper basket. Wine glasses are placed on the wine glass shelf and knives are placed in the knife stand on the right (if fitted).

NOTE!

All dirty surfaces should face inwards and downwards!



Place plates, side plates, serving dishes, pots and cutlery (in the cutlery basket) in the lower basket. Lower the fold-down plate supports when washing pots.



Place cutlery with the handles facing down, except for knives, and spread them out as much as possible. Ensure that spoons do not stack inside each other. The cutlery basket is placed in the lower basket.

WARNING!



Knives and other pointed items must be placed with the points down in the cutlery basket or horizontally in other baskets.

Do not place cutlery made of different materials, such as silver and stainless steel, in the same place (risk of discolouration).

The cutlery basket has a fold-down section in the middle for small items, or small shafts, such as electric whisk attachments.

See the section Fragile dishes if you want to wash items that may be considered fragile.

2 Check that the spray arms can rotate freely

3 Add detergent

Detergent is added according to water hardness.

Follow the instructions on the detergent packaging. Too much detergent can result in less effective dishwashing and also entails greater environmental impact.

Add the detergent to the detergent compartment. There is one compartment for the prewash and one for the main wash (see the section Dispenser). If tablets are not used, add a small amount of the detergent to the prewash compartment. Contact the detergent manufacturer if you have any questions about the detergent.

WARNING!



Children must be supervised – dishwasher detergent is corrosive!

NOTE!

Use only dishwasher detergent! Washing up liquid must not be used as the foam that forms prevents the dishwasher from operating effectively.

Dishwashing

Dishwasher tablets

Halve the tablet if it is difficult to close the dispenser lid. There is a risk that the detergent will not be released properly if the lid is tight and will not open correctly.

NOTE!

Dishwasher tablets are not recommended for short programs (less than 75 minutes). Use powder or liquid dishwasher detergent instead.

3-in-1/All-in-one detergent

Read through the directions for these products carefully. If anything is unclear, contact the detergent manufacturer.

4 Press the main power switch ① and close the door

5 Select the program
Press the Program selector one or more times until the desired program symbol lights.

Aut Auto wash

The dishwasher can measure how dirty the dishes are and adjust water consumption and temperature accordingly. When newly installed, the program needs to be run five times before it is fully adapted and can provide the best results.



Heavy wash

Program for very dirty dishes, such as pans, casserole dishes and oven dishes. If these dishes do not completely fill the dishwasher, you can add plates and the like.



Normal wash

Use to wash normally dirty dishes, and even dishes with dried leftovers, such as plates, serving dishes, cups, glasses and so on.

ECO Eco wash

Use when you want to save water. For normally dirty dishes.



Quick wash

This program is used for glasses and porcelain that is slightly dirty, such as coffee cups.









Rinse & Hold

Used to rinse dishes while you wait for the dishwasher to become fully loaded.

Dishwashing

Program chart

Program	Op-tions	Pre-washes	Main wash (°C)	Number of rinses	Final rinse temperature (°C)	Consumption values ¹⁾					
						Cold water ²⁾			Hot water ³⁾		
						Wash time (approx. hours:min-utes)	Energy (approx. kWh)	Wash time (approx. hours:min-utes)	Energy (approx. kWh)	Wash time (approx. hours:min-utes)	Energy (approx. kWh)
Aut Auto wash	-	1-3	55-65	2-3	65	1:50-2:50	1,3-1,6	1:40-2:40	0,7-1,0	12-21	
 Heavy wash	-	2	55	3	60	3:15	1,3	3:00	0,7	18	
 Normal wash ⁴⁾	-	1	45	2	45	1:45	0,7	1:30	0,3	14	
 Normal wash		2	65	2	65	2:25	1,5	2:10	0,8	16	
Eco Eco wash	-	0	55	2	50	2:30	0,8	2:15	0,5	11	
 Quick wash	-	0	30	2	-	0:20	0,2	0:20	0,1	10	
 Rinse & Hold	-	0	-	1	-	0:06	0,01	0:06	0,01	3	

1) Consumption values vary depending on the water supply temperature, the ambient temperature, the size of the load, the selected options and more.

2) Connection to cold water, approx. 20 °C.

3) Connection to hot water, approx. 60 °C.

4) The energy label performance figures are based on this program.

Dishwashing


6 Select options


To select an option, press one of the option buttons. The field next to the button lights when the option is activated. The available options depend on the selected program. Once you have started the program, the options you selected are saved for the next time you use the same program. An exception is the Delayed start option.


Temperature

The Temperature option button allows you to select a higher or lower temperature for the main wash. If you want to improve dishwashing efficiency, activate the option for a higher temperature. This option remains selected until changed.

You can vary the temperature as shown below:

 Heavy wash: 55 °C/ 70 °C

 Normal wash: 45 °C/ 65 °C

 Quick wash: 30 °C/ 60 °C

Eco Eco wash: 55 °C/ 60 °C

Drying

Press the Drying option button for improved drying results. The temperature increases during the final rinse, which improves drying results but increases program time and energy consumption. If you want a program with Short dry, press it again and the field next to the button turns off. This option can be used with all programs except Auto wash.

Delayed start

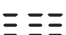
When you select Delayed start, the dishwasher will start 1–24 hours after you press the Start/Stop button.

1. Press the button once to activate Delayed start. Press the button several times – or hold it in – to set the desired number of hours.
2. Press Start/Stop and the dishwasher counts down 1 hour at a time and starts after the selected delay. Press and hold Start/Stop for five seconds if you want to cancel the Delayed start option.

NOTE!

Remember to press the Start/Stop button to start the program.

7 Press Start/Stop

The display flashes three times with the remaining time to indicate that the program has started. Close the door properly otherwise the dishwasher will not start. The display indicates  if the door is open.

NOTE!

If the machine does not start within 2 minutes of the last button press, the display returns to showing the last program run.

Stopping or changing a program

In order not to accidentally press a button and cancel the current program, you must press and hold Start/Stop for five seconds if you want to change programs after starting the dishwasher. Add more detergent if the lid of the detergent dispenser has opened. Then choose a new program and press Start/Stop.

Do you want to add more dishes?

Open the door. The dishwasher stops automatically. Add the dishes, close the door and the dishwasher continues the program.

Dishwashing

If the dishwasher is turned off using the main power switch or due to a power failure

If the dishwashing program was not finished, the interrupted program continues when power is restored.

NOTE!

During drying, the program is interrupted if the power is cut or the door is open for more than 2 minutes.

8 After dishwashing

Once the program has finished, "End" appears on the display.

A buzzer also sounds at the end of the program. See the section Settings, which describes how to change this function.

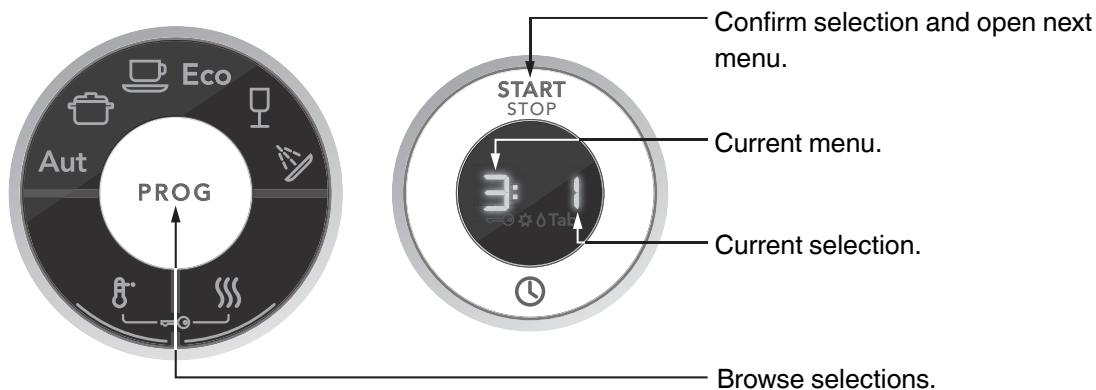
Once the dishwasher has finished, it uses only standby power. Turn off the dishwasher using the main power switch if you want to completely cut the power. Turn off the water supply valve after each use.

Drying

For additional drying the door should be opened 35 mm upon completion of the drying cycle. For more information refer to the page marked Performance information in these instructions.

Settings

Settings menu overview:



Do as follows to open the settings menu:

1. Turn off the dishwasher using the main power switch. Then press the main power switch again.
2. Press the Program selector and Drying buttons simultaneously.

You can now adjust the following settings:

	START STOP	PROG	Description
1:	Child lock (button lock)	0 (Off) or 1 (On)	You can activate the child lock (button lock) option to prevent children from starting the dishwasher. Press the Temperature and Drying buttons simultaneously to temporarily deactivate the button lock when you want to start the dishwasher. The button lock is automatically reactivated after 2 minutes.
2:	Buzzer volume	0 (Off), 1–4	The dishwasher uses a buzzer to indicate when a program is finished or when a fault has occurred.
3:	Operation volume	0 (Off), 1–4	This sound is used to confirm each button press.
4:	LCD contrast	-1, 0, +1, +2, +3	For adjusting the contrast of the display.
5:	Rinse aid	0 (Off), 1–6	Rinse aid dosage setting.

Finally, press Start/Stop to save and exit the menu.

Time remaining

Once you have selected a program and options, the display indicates how long the program took the last time it was used. Once you have started the dishwasher, the display indicates how much program time remains. The remaining time is updated after the water for the final rinse has been heated.

This may differ somewhat from time to time depending on the temperature of the water supply, the amount of dishes, the ambient temperature and other factors.

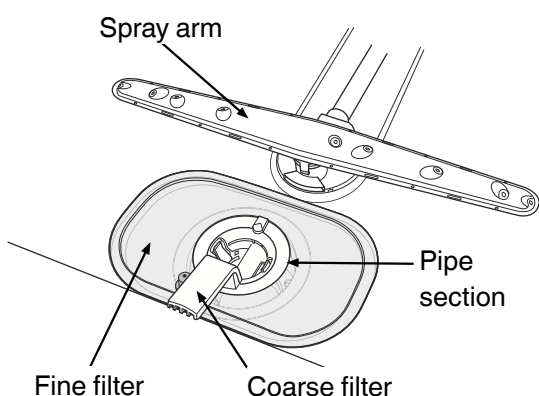
While the program is running, the time counts down and the remaining program time is shown on the display. The remaining time is shown, for example, as 1:15, which means the program will run for another 1 hour and 15 minutes.

NOTE!

During the first run of each program, the remaining time displayed can be slightly misleading, as the dishwasher is estimating the time. When you run the program a second time, the dishwasher will calculate the remaining time based on the previous duration of the program.

Care and cleaning

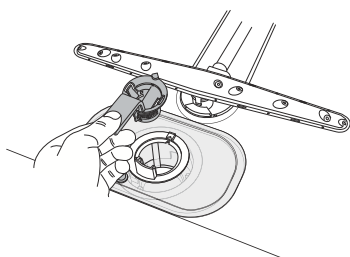
The dishwasher tub is made of stainless steel and is kept clean through normal use. However, if you have hard water, limescale deposits may form in the dishwasher. If this happens, run the Normal wash program with high temperature and two tablespoons of citric acid in the detergent compartment (with no dishes in the machine).



Coarse filter

The coarse filter traps larger food particles, which cannot get past the drainage pump. Empty the coarse filter as necessary.

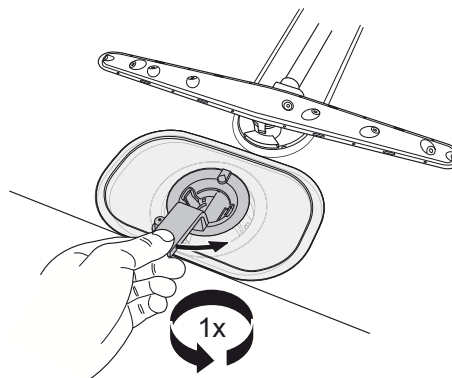
1. Lift the coarse filter by the handle.
2. Empty the coarse filter. Remember to replace it!



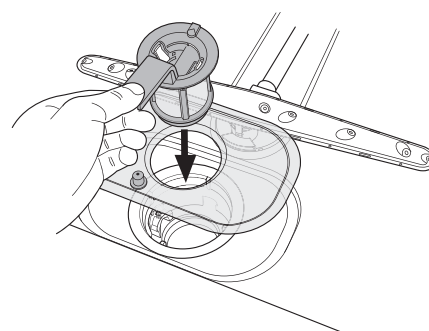
Fine filter

Debris that collects on the fine filter is automatically rinsed away during each wash. However, the fine filter and its pipe section should be cleaned a couple of times a year.

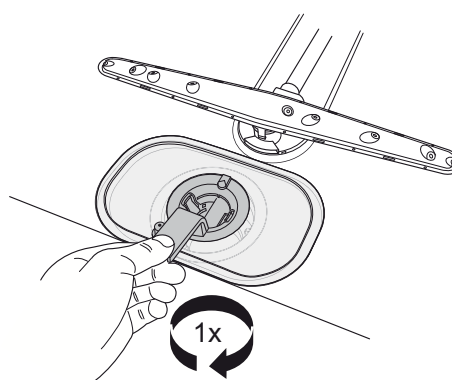
1. Turn the handle anticlockwise once.



2. Lift the pipe section straight up by the handle. Free the coarse filter to clean the pipe section.
3. Remove and clean the fine filter.
4. Replace in reverse order. Check that the edges seal properly when replacing the fine filter.



5. Lock the filter in place by turning the handle clockwise to the stop position. The handle should point straight out from the dishwasher.



Care and cleaning

NOTE!

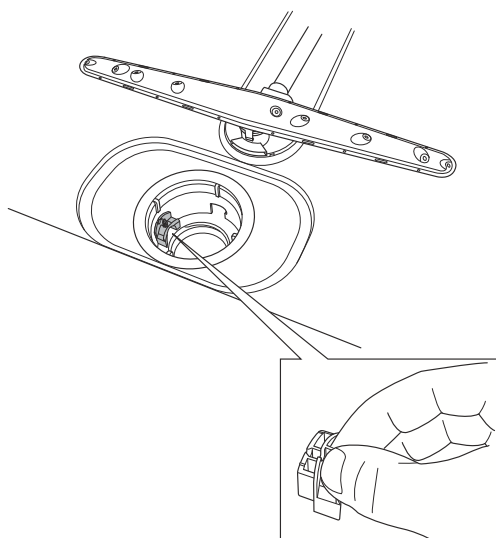
The dishwasher must not be used without the filter in place!

Diswashing efficiency can be affected if the coarse filter is incorrectly fitted. After cleaning ensure that filter handle is fully locked with the handle pointing out of the dishwasher.

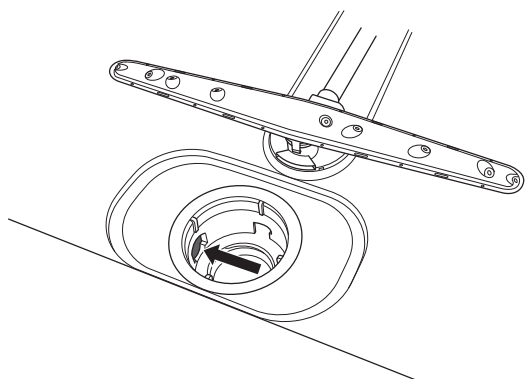
Drainage pump

The pump can be accessed from inside the dishwasher.

1. Cut the power to the dishwasher by pulling out the plug from the wall socket!
2. Remove the coarse filter and pipe section.
3. Remove the small yellow fitted piece at the left of the bottom drain (see illustration below).



4. By inserting your finger into the hole you can turn the pump blade to release anything blocking it.
5. Reinstall the fitted piece and filters.
6. Plug the machine in again.

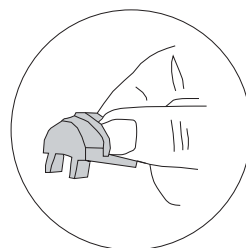


If the dishwasher still does not start and a whirring sound is heard, the overflow protection has been activated.

- Shut off the water.
- Remove the plug from the wall socket.
- Call the service division.

NOTE!

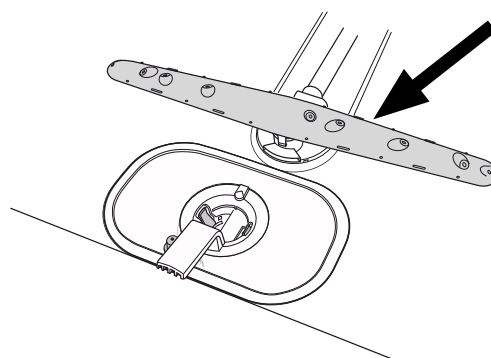
Do not forget to reinstall the fitted piece.



Lower spray arm

Holes and bearings can sometimes become blocked.

1. Pull the lower spray arm straight up to release it.
2. Remove any debris using a needle or the like. The spray arms also have holes underneath.

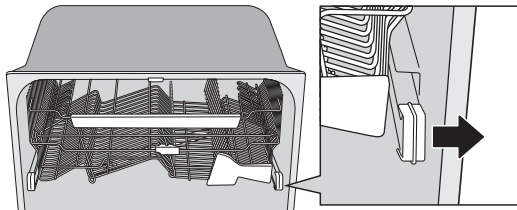


Care and cleaning

Upper spray arm

The upper basket must be removed before the upper spray arm can be released.

1. Pull out the upper basket and turn the basket catch on each runner outwards (see illustration). The basket can now be removed.



2. Loosen the upper spray arm in the same manner as the lower spray arm and clean it.

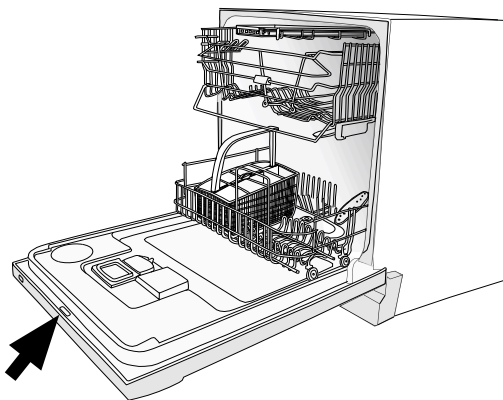
Door

When cleaning the edge around the door, use only a slightly damp cloth (with a little cleaner if necessary).

WARNING!



Do not use a spray bottle or the like around the door lock. This is to ensure that water does not penetrate the door catch and come into contact with the electrical components.



Rinse aid

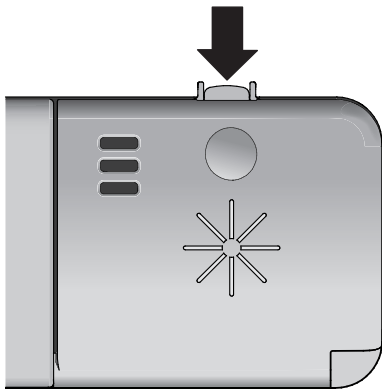


Drying is faster if you use rinse aid. When the rinse aid needs topping up, the above symbol lights on the display.

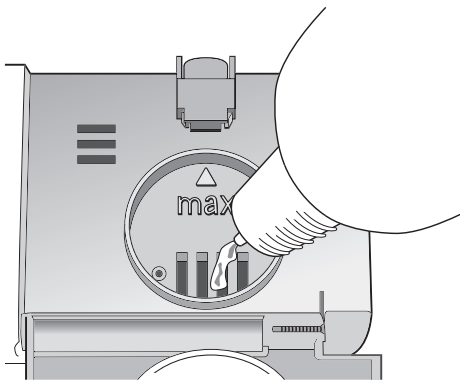
Top up with rinse aid

Top up with rinse aid as follows:

1. Open the rinse aid compartment lid.



2. Carefully top up with rinse aid. Only add rinse aid to the level marked **max**.



3. Wipe up any splashes of rinse aid around the compartment.
4. Close the lid firmly.

NOTE!

After topping up, it may take a while before the symbol goes out.

Select dosage

The rinse aid dispenser can be adjusted between 0 (off) and 6. At the factory, the rinse aid dispenser is set to 1.

Increase the rinse aid dosage:

- If the dishes have water marks.

Reduce the rinse aid dosage:

- If the dishes have a sticky white/blue film.
- If the dishes are streaked.
- Build-up of foam. If you have very soft water, the rinse aid can be diluted 50:50 with water.

For water with a hardness greater than 10–12 °dH, you ought to use rinse aid with citric acid (known as acid rinse aid).

Set the dosage

The section Settings describes how to set the rinse aid dosage.

Error messages

Display	Type of fault	Action
F: 10	Overfilling	Call the service division.
F: 11	Water outlet fault	See "Possible causes" in the chapter Troubleshooting.
F: 12	Water inlet fault	Check that the water tap is on. Check whether dishwasher inlet hose is connected to a pressure limiting valve (some pressure limiting valves may restrict the supply of water to the dishwasher).
F:40	Inlet valve leakage	Turn off the water tap and call the service division

Turn off the machine with the main power switch and then turn it on again to clear the error message from the display.

Troubleshooting

Problem	Possible causes	Action
The dishes are not clean.	The spray arms do not rotate.	Remove the arms and clean them. Check that the dishes are not blocking the spray arms.
	Old detergent. Detergent is a perishable product.	Avoid large packages.
	Incorrect detergent dosage.	Dose according to water hardness. Far too much or far too little detergent results in poorer dishwashing results.
	Dishwashing program too weak.	Select a higher temperature or a more powerful program.
	Dishes loaded incorrectly.	Do not cover porcelain with large bowls or the like. Avoid placing very tall glasses in the corners of the baskets.
	Glasses and cups have toppled over during the program.	Place dishes to sit steady.
	The filter is not correctly fitted.	Screw the filter firmly into place. See the section Care and cleaning.
Spots or films on the dishes.	Incorrect rinse aid dosage setting.	See the sections Rinse aid and Settings.
	Too high temperature and/or too much detergent can cause etching on crystal. Unfortunately, this cannot be repaired, only prevented.	Wash crystal at a low temperature and with a conservative amount of detergent. Contact the detergent manufacturer.
The dishes have a sticky white/blue film.	Rinse aid dosage setting too high.	Reduce the amount. See the sections Rinse aid and Settings. If you have very soft water, you may want to dilute the rinse aid 50:50 with water.
Spots on stainless steel or silver.	Some foodstuffs, such as mustard, mayonnaise, lemon, vinegar, salt and dressings, can cause spots on stainless steel if left for too long.	Rinse off these types of foodstuffs if not starting the dishwasher immediately. Why not use the Rinse & Hold program.
	All stainless steel can cause spots on silver if they come into contact during dishwashing. Aluminium can also cause spots on dishes.	Silver and stainless steel items should not come into contact during dishwashing.
Spots left after washing.	Lipstick and tea can be difficult to wash off.	Use a detergent with a bleaching agent.
Rattling sound when dishwashing.	The dishes are not correctly placed or the spray arms are not rotating.	Check that the dishes are placed securely. Spin the spray arms to make sure they can rotate.

Troubleshooting

Problem	Possible causes	Action
The dishwasher does not start.	You have forgotten to turn on the main power switch.	Press the main power switch.
	The door is not properly closed.	Check.
	A fuse/circuit breaker has been tripped.	Check.
	The plug is not plugged into the wall socket.	Check.
	The water tap is turned off.	Check.
	Overflow/leaks	Check.
	A whirring sound (the drainage pump) is heard from the dishwasher and does not stop when the main power switch is turned off.	Turn off the water tap. Pull out the plug and call the service division.
	Check that the Delayed start option has not been selected.	Press and hold Start/Stop for five seconds if you want to cancel the Delayed start option.
1 minute appears in the display.	The program is taking longer than estimated.	None, next time the program is run the corrected time will be displayed.
Water remains in the dishwasher.	Blocked drainage hose.	Loosen the drainage hose where it connects to the sink unit's water trap. Check that no debris has fastened. Is the cone-shaped part of the pipe cut to an inner diameter of at least 14 mm?
	Kink in drainage hose.	Check that the hose is free from kinks and sharp bends.
	The filters are blocked.	Clean the coarse and fine filters.
	The filter is not locked in completely.	Ensure filter is completely locked with handle pointing towards the door.
	Debris in the drainage pump.	Clean the drainage pump. See the section Care and cleaning.
Bad odour in dishwasher.	Dirt around the seals and in corners.	Clean with washing-up brush and low foaming cleaner.
	Low temperature programs have been selected for a prolonged period.	Run a program with a higher temperature about once a month.
The dishes are not dry enough.	Drying power too low.	Activate the Drying option.
	The dishwasher is not fully loaded.	Fully load the dishwasher.
	Rinse aid needs topping up or dosage is set too low.	Top up with rinse aid or increase the rinse aid dosage. See the sections Rinse aid and Settings.
		Open the door a little once the program has finished.

Troubleshooting

Problem	Possible causes	Action
Cannot close door.	The baskets are not correctly positioned.	Check that the baskets are correctly positioned horizontally.
		Check that the dishes are not blocking the baskets from sliding properly into place.
The touch buttons do not react when pressed.	You have pressed the touch buttons too soon after opening the door.	Wait a moment then try again.
	Dirt on the touch buttons.	Clean with a dry or slightly damp cloth.
	Child lock (button lock) activated.	See the section Settings.

Performance information

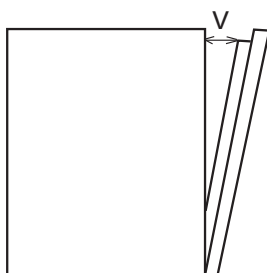
Energy labelling

Australian standard: AS/NZS 2007

Number of place settings: 14

Dishwashing programs: Normal wash 45 °C, no options

The door should be opened upon completion of the drying cycle a distance of 35 mm at V.



Program time: 1:45 hours:minutes

Connection: Cold water 20 °C

Test method for noise measurement: IEC-704-3

Dosages during testing

Detergent: In accordance with AS/NZS 2007

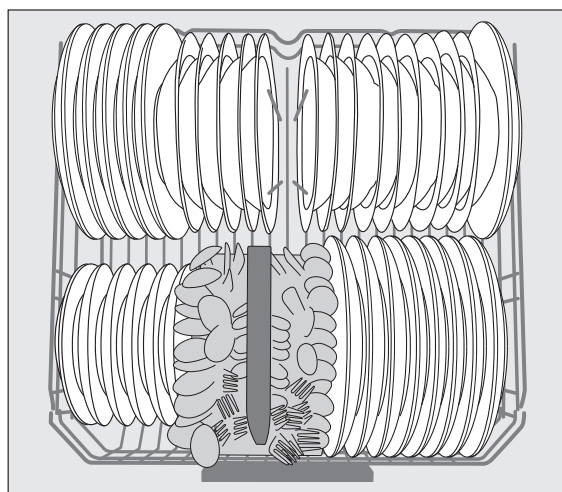
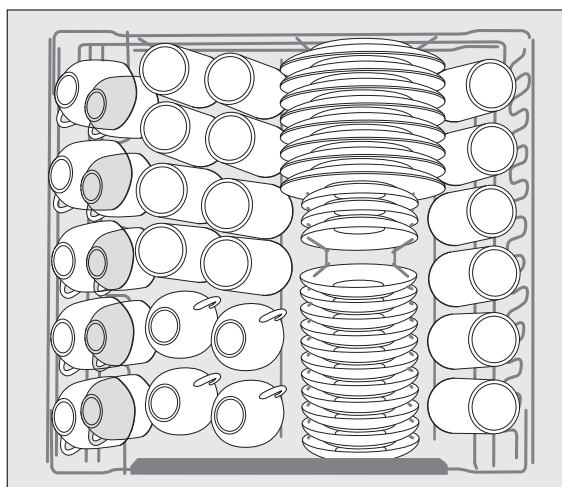
Prewash: 7,5 gram

Main wash: 25 gram

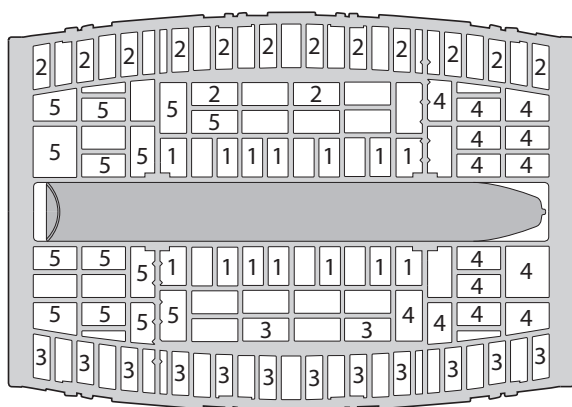
Rinse aid: In accordance with AS/NZS 2007

Rinse aid dosage: 3

Loading the dishwasher



Performance information



1. Teaspoons
2. Dessertspoons
3. Soupspoons
4. Forks
5. Knives

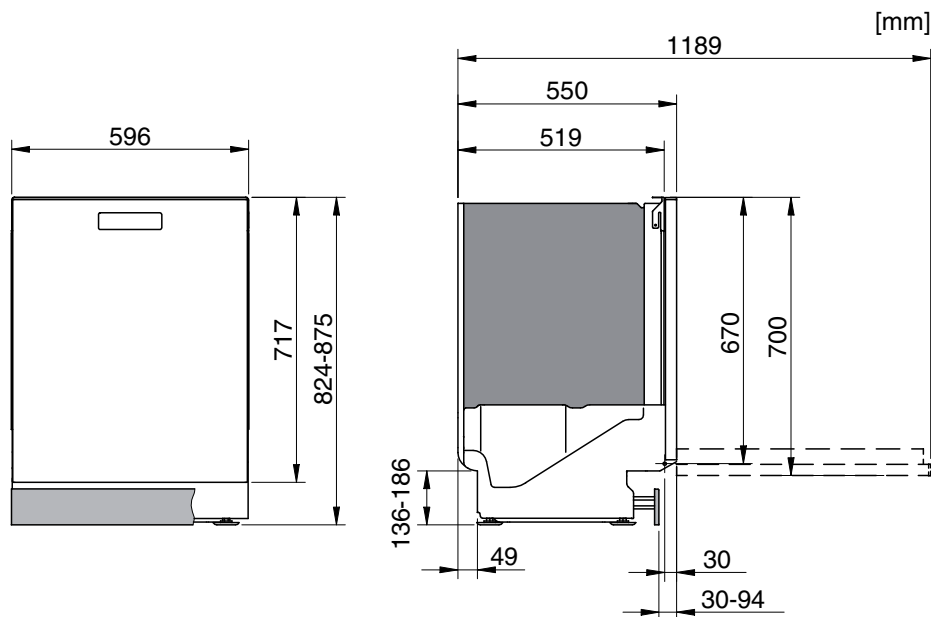
Technical data

Height:	817-875 mm
Width:	596 mm
Depth:	550 mm
Weight:	42 kg ¹⁾
Capacity:	14 place settings ²⁾
Water pressure:	300 - 1000 kPa 0.3–10 kp/cm ² 3–100 N/cm ²
Electrical connection:	See type plate.
Rated power:	See type plate.

1) Weight can vary due to different specifications.

2) In accordance with standard, AS/NZS 2007.

Installation



Safety instructions

- Connections to electricity, water and drainage must be performed by a qualified professional.
- Electrical, water and drainage installations must be carried out by a qualified professional.
- Always follow applicable regulations for water, drainage and electricity.
- An incorrect or flawed installation can result in higher consumption of energy, water and detergent, which can result in increased costs and poor dishwashing results. In order to minimise noise it is important that you follow the instructions.
- Exercise caution during installation! Use protective gloves! Always have someone assist you!
- Place a watertight protective tray on the floor under the dishwasher to prevent damage from any water leaks.
- Before screwing the dishwasher into place, test the dishwasher by running the Rinse & Hold program. Check that the dishwasher fills with water and drains. Check also that none of the connections leak.

WARNING!



The plug must be disconnected or power to the socket turned off while the work is carried out!

WARNING!



Turn off the water supply when installing the dishwasher!

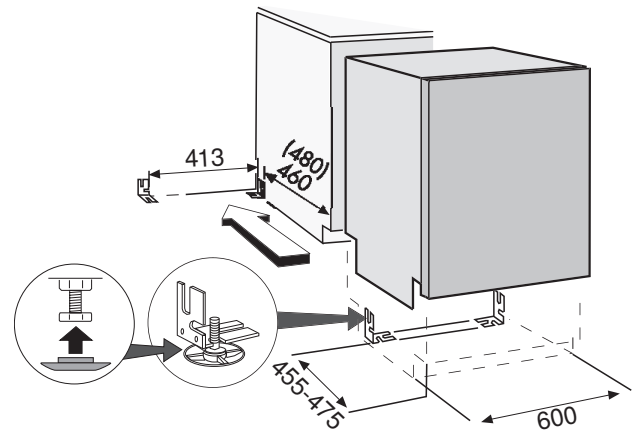
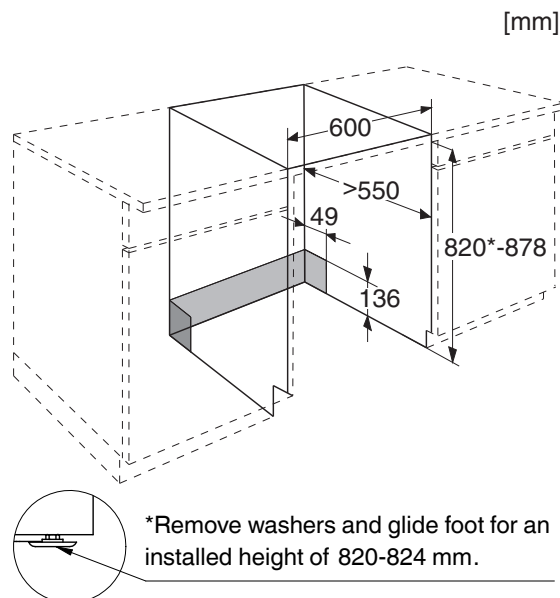
Installation

Suggested machine installations

The dishwasher can be installed built-in, completely freestanding or partially built-in.

A. Built-in

The dishwasher is intended for installation under a worktop. The recess dimensions are illustrated. Holes for wires/cables need not be larger than 38 mm in diameter. Make sure the edges of such holes are even to prevent damage to the drainage and inlet hoses and the power cable.



WARNING!



A completely freestanding dishwasher must be fitted with anti-tip brackets.

C. Partially built-in

If the dishwasher is installed so that either side is visible, you can fit a side panel. These accessories can be purchased where you bought the dishwasher.

B. Freestanding

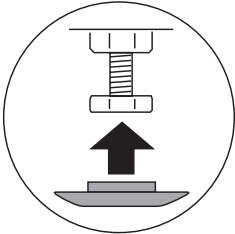
A freestanding dishwasher must be fitted with anti-tip brackets. This comprises two brackets, which are screwed into place as illustrated.

Next, slide the dishwasher into place so that the brackets grip the rear feet. Now the dishwasher will not tip over if a load is placed on the door when open. If the dishwasher is installed completely freestanding, side panels and a worktop should be fitted. These accessories can be purchased where you bought the dishwasher.

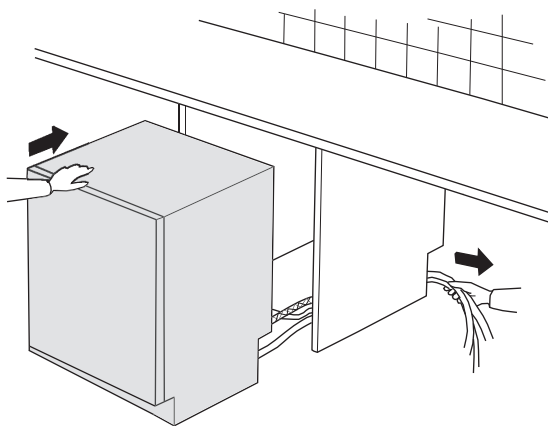
Installation

Adjust the height and slide the dishwasher into place

1. Attach the coasters (if applicable) to the dishwasher.



2. Start by measuring the height from the floor to the bottom edge of the worktop.
3. Measure the height from the floor to the top edge of the dishwasher.
4. Adjust all feet by turning them clockwise to raise or anticlockwise to lower the dishwasher.
5. Check that there is an air gap of at least 3 mm between the underside of the worktop and the top edge of the dishwasher.
6. Tighten the lock nuts (lock nut) on the rear feet.
7. Slide the dishwasher into place.
 - Pull through the drainage and supply hoses when the machine is slid into place.
 - Check that the hoses have no kinks or sharp bends, and check that there is nothing that can damage the hoses.



8. Make any final adjustments to the front feet (the dishwasher may lean no more than 5 mm) and tighten the lock nuts.

If you want to install your dishwasher freestanding, skip steps 2, 3 and 5 above.

Installation

Drainage connection

When the drainage hose is routed to a connection nipple on the sink unit's water trap (see illustration 1), please note that the hose must be attached at the same height as the underside of the sink unit, otherwise dishwater from the sink may flow back into the dishwasher. The drainage hose is threaded onto the cone-shaped connection pipe on the sink unit's water trap. The cone-shaped pipe must be cut to an internal diameter of at least 14 mm. For other connection alternatives, see illustrations 2 and 3.

The drainage hose may be extended by a maximum of 3 m (the total length of the drainage hose must not exceed 4,5 m). Any joins and connecting pipes must have an internal diameter of at least 14 mm. However, the drainage hose should ideally be replaced with a new hose without joins.

No part of the drainage hose may be more than 950 mm above the bottom of the dishwasher. The hose must not be routed directly to the floor drain or similar. In such cases, the hose can act as a siphon and empty the dishwasher.

The hose must always discharge at least 350 mm above the bottom of the machine.

Ensure that the drainage hose has no kinks.

NOTE!

The hose must be attached at the same height as the underside of the sink.

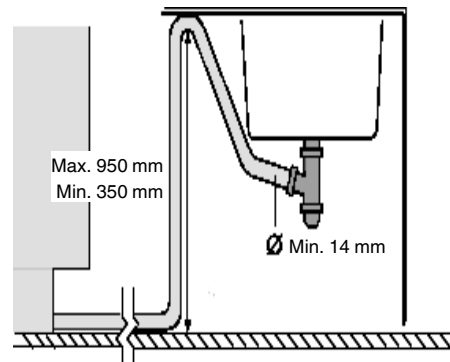


Figure 1

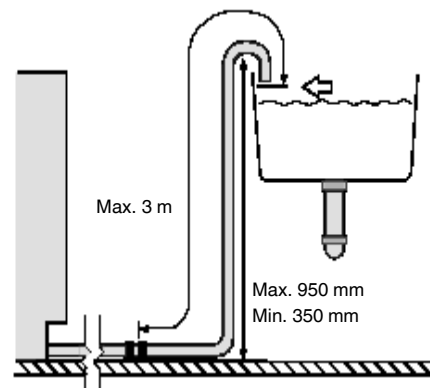


Figure 2

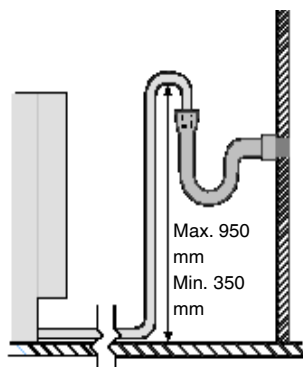


Figure 3

Installation

Connection to water supply

Use only the supply hose provided with the dishwasher. Do not re-use old hoses or other spare supply hoses.

The supply pipe must be fitted with a stopcock. The stopcock must be easily accessible, so that the water can be shut off if the dishwasher has to be moved.

Once the installation is complete, the stopcock should be opened to allow the pressure to settle for a while and to check that all connections are tight.

Connect to cold water...

If you use oil or electricity to heat your home.

Connect to hot water (max. 70 °C)...

If you use, for example, district heating, solar power or geothermal power to heat your home.

NOTE!

Connecting a dishwasher to the water supply via certain types of pressure limiting valves may restrict the water supply!

This may cause **F:12** error code/ Water inlet fault to be displayed.

Electrical connection

Information about the electrical connection can be found on the serial number plate. This specification must match the electricity supply.

Dishwashers fitted with a plug must be connected to an earthed socket.

The electric wall socket must be placed outside of the installation area to be easily accessible after installing the dishwasher. Do not use an extension cord!

NOTE!

Repairs and maintenance must be carried out by a qualified professional.

Adjusting the plinth (only when using toe kick accessory)

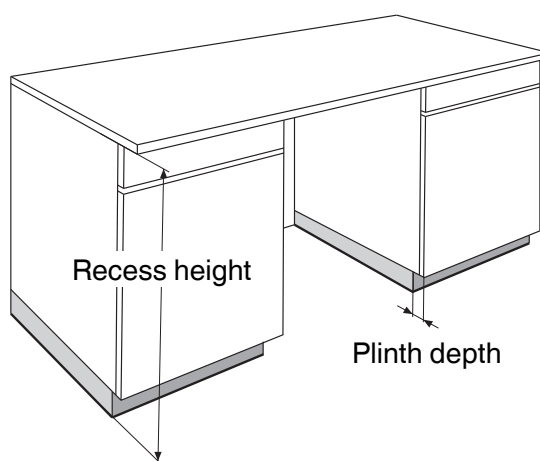
The dishwasher is supplied with one or two toe kicks depending on the model. The table shows which toe kick you should use depending on the recess height and plinth depth. Attach the enclosed soundproofing material to the toe kick (certain models).

Re-cess height (mm)	Plinth depth (mm)							
	30	40	50	60	70	80	90	100
820	N/A	N/A	N/A	N/A	N/A	L	L	L
830	N/A	N/A	N/A	N/A	L	L	L	L
840	L	L	L	L	L	L	L	L
850	N/A	N/A	N/A	N/A	N/A	H	H	H
860	N/A	N/A	N/A	N/A	H	H	H	H
870	H	H	H	H	H	H	H	H

L Low toe kick (height=90 mm), article number 80 735 66

H High toe kick (height=120 mm), article number 80 735 67

N/A Not recommended for aesthetic reasons.

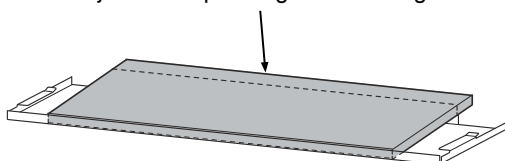


Installation

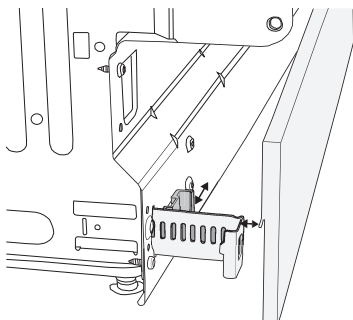
Set the correct plinth depth as follows

1. Attach the supplied soundproofing material to the back of the toe kick (certain models only). If you use the low toe kick, adjust the height of the soundproofing by removing the thinner part of the strip.

Adjust soundproofing material height



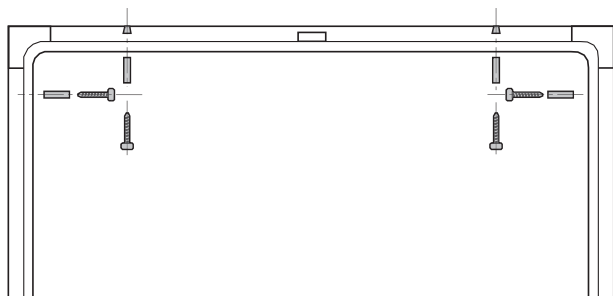
2. Squeeze together the grey catches and pull out the holders to the desired depth. Push in the catches to lock the holders into place.
3. Hang the toe kick on the holders by inserting it into the notches.



Screwing the dishwasher into place

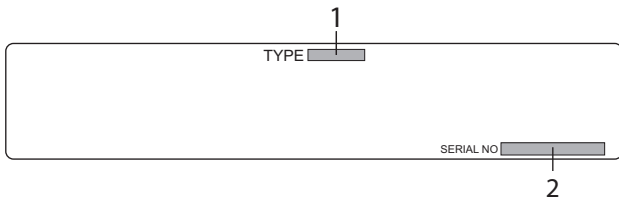
(Applicable only to built-in dishwashers.)

After fastening the machine, check that the front feet still touch the floor.



Service

Read the chapter Troubleshooting before contacting the service division. Make a note of the information on the serial number plate on the right inside the dishwasher. Note the type number (1) and the serial number (2).



Your notes

Your notes

Your notes

Quick guide

1 Load the baskets

Do not rinse dishes under running water before loading them in the dishwasher. Simply scrape off large food particles before loading the dishwasher.

2 Add detergent

The detergent compartment has one smaller compartment for the prewash and one for the main wash.

3 Check that the spray arms can rotate freely

4 Press the main power switch ① and close the door

5 Select a program and any options

6 Press Start/Stop