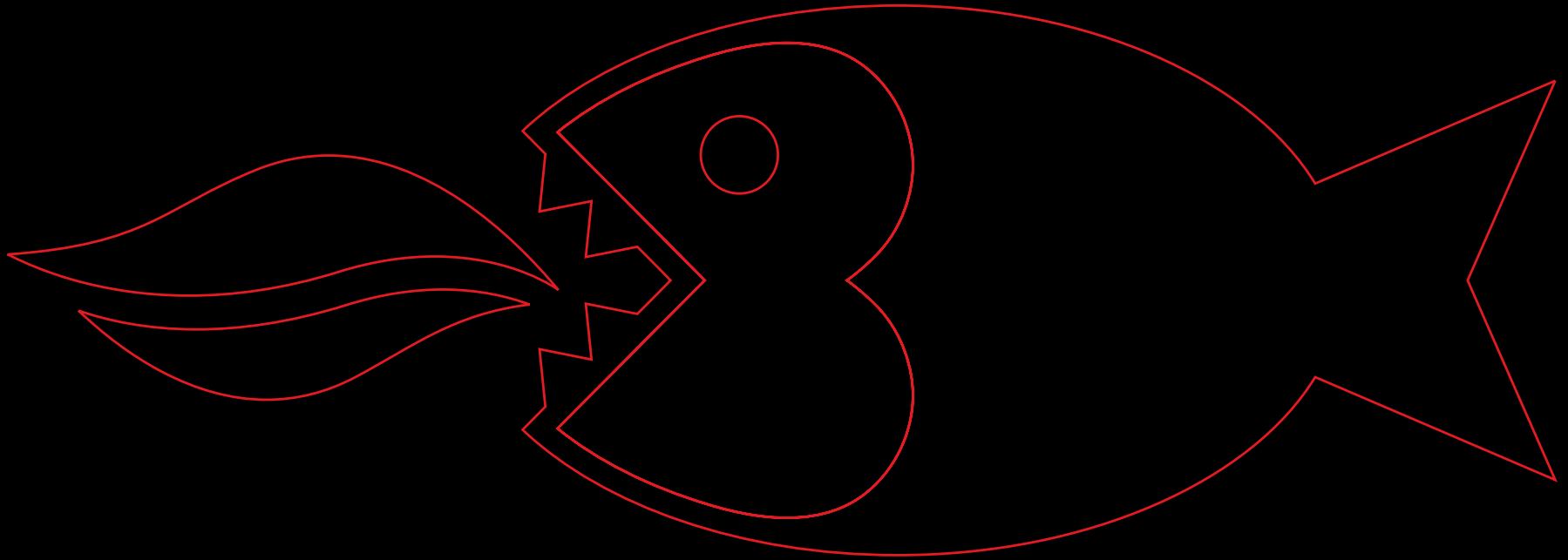


  
PYTHAGORA  
GEOMETRY AT WORK

2012



  
**Baumatic**<sup>®</sup>  
APPLIANCE CHIC



## Baumatic : Appliance Chic

Baumatic is a universal brand expanding its passion for innovation and style to almost 50 countries world wide. Established in the UK in 1992, it brings many years of expertise in the kitchen appliance industry. The essence of our strength is in quality products at affordable prices, whilst never compromising on safety & features. This success is made possible thanks to our global purchasing power and our universal affiliations.

At Baumatic we have put thought and passion into the finer details, to capture the beauty of the most elaborate kitchen designs.

Baumatic, Appliance Chic.



## Baumatic : Customer Care Program

Our mission at Baumatic is not only to offer you a quality product but to provide you with the support that you deserve when you purchase one of our appliances. Your appliance is supported by a 2 year parts and labour customer care program provided by Think Appliances.

To activate your warranty you can register online at [www.thinkappliances.com/warranty](http://www.thinkappliances.com/warranty) or call 1800 444 357 and speak to one of our skilled Customer Care Consultants. You will receive personal instructions on how to operate your new appliance and a welcome pack with your personal Think Customer Care card.

Features & Functions	4
Inbuilt Ovens	9
Gas Cooktops	12
Microwaves	13
Upright Cookers	14
Electric Cooktops	17
Rangehoods & Canopies	18
Dishwashers	23
Coffee Machines	23
Specifications	24



### Energy Efficiency

At Baumatic we take caring for the environment very seriously. We therefore do our best to make sure all of our appliances are as efficient as possible. All Baumatic ovens are either rated A or A+ on the European union energy efficiency scale.

### Mark Free Stainless Steel

Stainless Steel, whilst sleek and modern, can be prone to leaving finger marks. All Baumatic ovens feature a specially designed mark resistant coating. Simply wipe over with Baumatic's handy microfiber cloths to keep your oven looking like new.

### Wipe Clean Enamel

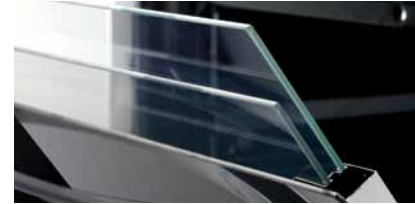
The non-porous enamel on our ovens has a glass-like finish which stops grease and oil from penetrating too far into the enamel making cleaning easier and less of a chore.

### Pyrolytic Cleaning

To aid the cleaning process, selected Baumatic ovens are specially designed and constructed to heat up to a high temperature and burn off grease and fatty deposits produced from every day cooking. To ensure your safety, Baumatic pyrolytic ovens are designed to automatically lock during the pyrolytic cleaning process. Once the oven has cooled down, our non-porous oven enamel allows you to easily wipe away the ash produced by the pyrolytic cleaning process.

### Cooling Fan

An inbuilt cooling fan circulates air around the oven to maintain a safe surface temperature and protect cabinets from heat damage. This cooling fan will continue to work until the temperature reaches a safe level.



### Triple Glazed Glass Doors

Three layers of glass in the oven door maintain the internal temperature more efficiently while keeping the external door temperature safer to touch. Most ovens now come with a full width inner door glass, making cleaning easier.



### Electronic Control and Program Timer

Selected Baumatic ovens are enhanced with an electronic control system that utilises electronic thermostats and temperature displays. This delivers greater accuracy and control for perfect cooking results every time.

### Auto Timer

The auto timer on our ovens allows you to set the desired cooking time for your meal. With this smart function you can select the precise start and finish time, to have your meal ready at any time of the day.



### Full Inner Door Glass

The inner glass door is totally flat and allows the oven to be cleaned easily and thoroughly. In addition, Baumatic oven doors can be simply detached without the aid of any tools.



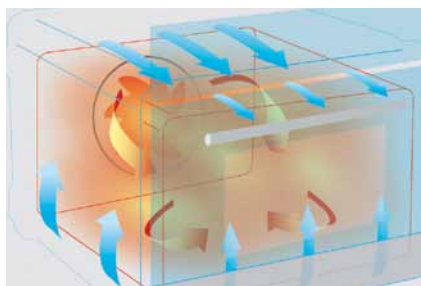
### Removable Side Racks & Roof Liners

Cleaning your oven has been made easy with Baumatic's removable roof liner. You no longer need to clean behind the grill. Simply remove the roof liner from behind the grill element, wash at the sink and slide back into place.



### Baking/Pizza Stone (Accessory BPS2)

With Baumatic's pizza stone, simply preheat your oven with the stone in it and place your recipe on the top for a perfect crisp result. The pizza stone will enhance the cooking of pizzas, quiches, breads or any recipe that requires a crisp base.





### Cooking with Gas

As cultures cross borders and great cooking traditions are brought to our shores, Baumatic's hobs need to be able to cater for various cooking styles. Regardless of whether the cooking method requires large or small saucepans, they are all catered for by our hobs' flexible burner configurations and sturdy cast iron trivets.

Triple flame high-powered wok burners, and large, medium and small auxiliary burners are available to make sure you get the right level of cooking power. They will also ensure that you are saving money, energy and the environment.



### Hypergas Burners

Baumatic's Hypergas burner system delivers one of the highest outputs of gas power available, perfect for frying, boiling water or cooking your favourite stir-fry. With selected cooktops, the Hypergas burner features dual control operation allowing you to control just the innermost part of the burner, perfect for delicate cooking and simmering.



### Flame Failure Safety System

You can enjoy complete peace of mind while you cook. Baumatic's flame failure safety system automatically cuts the gas supply should the flame be extinguished because of a strong current of air or liquid spillage. In effect, because we have devoted our time to ensuring your safety, you can devote your time to simply enjoying yourself in the kitchen.



### Front Control Operation

All our gas cooktops have the controls located across the front of the hob for easy use. With front control operation you also have more room between your burners which is great for the extra large pots.



### Induction - A Better Way to Cook

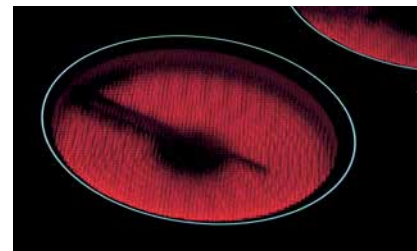
Induction is a truly unique and revolutionary way to cook. Under the surface of the induction hob are generators. These generators send high frequency currents through the glass surface into the cooking utensil, when one has been placed onto the hob.

These magnetic currents then heat up the pan directly inside. Induction hobs are therefore the safest cooking appliance on the market today. Not only is induction the safest cooking method, but also the most energy efficient. So join us in helping the environment by purchasing a hob that uses much less energy than traditional methods. Finally the performance of induction is unmatched. It will cook faster than any other heat source available and has impeccable control. It can go from a boil to the finest simmer in literally seconds. Induction gives you total control at your fingertips.



### Hyperspeed Zone

Baumatic ceramic hobs are built with advanced technology that delivers fast cooking results for the electric market. Baumatic's Hyperspeed element system delivers the performance you need in a busy kitchen. From a powerful 2100 watts through to a finer simmering power, Baumatic's ceramic electric hobs heat up in a matter of seconds.



### Residual Heat Indicator

Baumatic induction hobs are safer, because only the cooking zone becomes hot from contact with the pan. Once the pan is removed, you only have to wait a few minutes for the cooking zone to cool down. In order to make our induction and ceramic hobs even safer, residual heat indicators remain on while the temperature is above 65°C.



### Automatic Timer

Conveniently set an automatic timer to any cooking zone and Baumatic induction cooktops will shut down the power automatically once the timer has counted down. It can be set up to 99 minutes and is perfect to set and forget so you can continue doing other things in the kitchen or simply relax.



### Cutting Edge Designs

Baumatic rangehoods are not only built to effectively capture and eliminate cooking odours, they are created with elegance and flair to visually enhance your style of kitchen. Baumatic offers a wide range of hoods including Island Canopies, Wall Canopies, Undermount and Slide-out rangehoods.



### LCD Display and Electronic Controls

Selected Baumatic rangehoods feature stylish LCD displays and electronic controls with back lit speed control, clock and auto off timer. The auto-off timer function allows your rangehood to run for an additional 12 minutes after you have finished cooking, extracting any remaining odours and switching itself off without you needing to return to the kitchen.



### Lighting

Baumatic rangehoods offer a variety of lighting options to suit all preferences. From halogen lights which produce a sharp, bright light to efficient low wattage LED lights. LED lighting is renowned as a superior light source that offers lower energy consumption, longer lifetime and greater reliability.



### Extraction or Recirculating

All Baumatic rangehoods are ready to operate as a ducted appliance. Baumatic highly recommends this type of installation for the most effective operation of your Baumatic rangehood. If for some reason you cannot duct your hood to the atmosphere, a carbon filter/s can be purchased to fit to your hood which will help eliminate odours and allow you to recirculate the air back into the kitchen.



### Auto Cook

Making life easier in the kitchen for you, all Baumatic microwave ovens include an auto cook feature. Simply select the food type, there are 14 to choose from, add the weight and then press start. The microwave will then calculate the suitable time and power level for optimum cooking results.

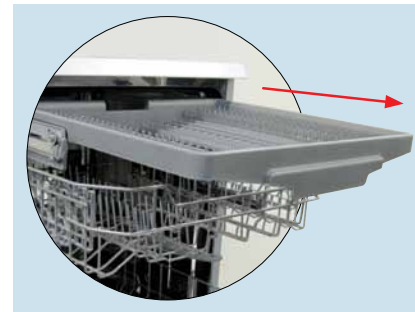
### Microwave Grill

Baumatic microwaves can do more than just heat up your food. The grill function will enhance the final result of food being reheated by keeping food crisp. Ideal for reheating pastries by selecting the grill option combined with microwave heating.



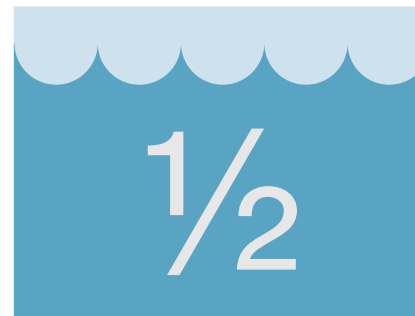
### Convection Cooking

Further to the grill function, some of our Baumatic microwaves have a combination cooking ability. This turns the microwave into a convection oven that can bake and roast meat, casseroles and vegetables. The microwave utilises a special heating element and fan system to do so.



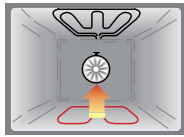
### Dishwasher Cutlery Tray

Selected Baumatic dishwashers feature a slide out cutlery tray. This feature allows you to individually place each piece of cutlery into the dishwasher for superior wash results. With its own independent spray, a perfect clean is guaranteed.



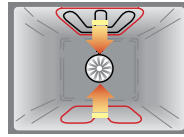
### Half Load Function

Don't have a full load of dishes? For added flexibility and efficiency, selected Baumatic dishwashers feature a half load alternative wash cycle. Simply select top basket only or bottom basket only to clean up those smaller loads.



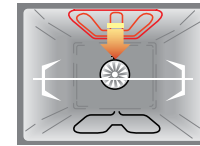
**Lower element only**

This method of cooking uses the lower element to direct heat upward to the food. For slow cooking recipes or for warming up meals.



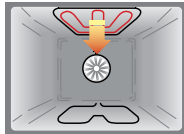
**Convention oven**

This method of cooking provides traditional cooking with heat from the top and lower elements. Particularly suitable for roasting and baking on one shelf only.



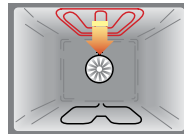
**Full grill & rotisserie**

Please check your model number to establish if the rotisserie accessory is supplied. This function will operate the rotisserie as well as the grill simultaneously giving a moderate to strong heat. Best for whole chickens, kebabs, and speed roasts.



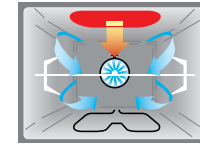
**Half grill**

This cooking method is normal grilling utilising the inner part only of the top element, which directs heat downward onto the food. Suitable for grilling small portions of bacon, toast, meat, etc.



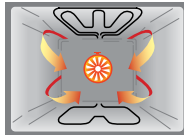
**Full grill**

This cooking method is normal grilling utilising the inner and outer part of the top element, which directs heat downwards onto the food. Suitable for grilling medium or large portions of sausages, bacon, steaks, fish, etc.



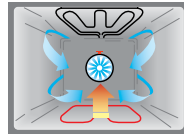
**Grill & rotisserie**

Please check your model number to establish if the rotisserie accessory is supplied. This function will operate the rotisserie as well as the grill and the fan simultaneously. Best for quick browning and even roasting.



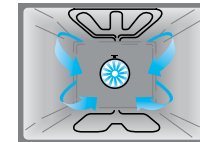
**Fan forced**

This method of cooking uses the circular element while the heat is distributed by the fan, resulting in a faster and more economical operation. Cooking with the fan on allows different kinds of food to be cooked simultaneously on different shelves.



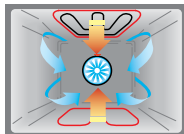
**Fan & lower element**

This method of cooking uses the bottom element only while the fan is circulating the heat. For delicate dishes and heating pre-cooked food. It is also for sterilising preserving jars.



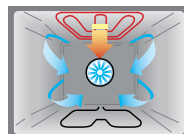
**Defrost**

The fan runs without heat to reduce the defrosting time of frozen foods. The time required to defrost the food will depend on the room temperature, the quantity and type of food. Always check food packaging for instructions.



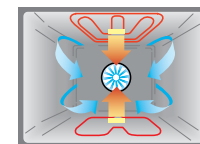
**Fan assisted**

This method of cooking provides traditional cooking with heat from the top and the lower element, plus the use of circulation fan to ensure an even distribution of the heat. Suitable for light and delicate baking such as pastries.



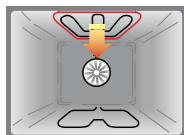
**Fan & grill**

This method of grilling uses the top element in conjunction with the fan to help a fast circulation of heat. Suitable where quick browning is required and sealing the juices in such as steaks, hamburgers, some vegetables, etc.



**PRH - Preheating**

This function uses the grill, the lower element and fan. It is intended for preheating the oven in a faster time up to 210°C.



**Top element only**

This method of cooking uses the outer part of the top element to direct heat downwards onto the food. For gentle cooking, browning or keeping cooked dishes warm.



**Pizza function**

This method of cooking uses the lower and circular element while the heat is distributed by the fan reproducing the same conditions of traditional clay wood-fire stoves.



**Pyrolytic cleaning**

The pyrolytic function enables the oven to reach 500°C. This temperature is sustained during a period of 90 minutes allowing any residue produced during every day cooking to be burnt to ashes.





**BAO6001-P**

**60cm Fan Forced Oven**



- 4 Functions
- 54 litre net / 59 litre gross capacity
- Mark free stainless steel
- Wipe clean enamel interior
- LED 24hr program timer
- Removable roof guard
- Easy glide door hinges
- Fully sealed oven
- Triple glazed door with full inner door glass
- One piece seamless oven liner
- Moulded side oven racks
- Cavity cooling system



**BAO6003-P**

**60cm Multifunction Oven**



- 7 Functions
- 54 litre net / 59 litre gross capacity
- Mark free stainless steel
- Wipe clean enamel interior
- LED 24hr program timer
- Removable roof guard
- Easy glide door hinges
- Fully sealed oven
- Triple glazed door with full inner door glass
- One piece seamless oven liner
- Moulded side oven racks
- Cavity cooling system

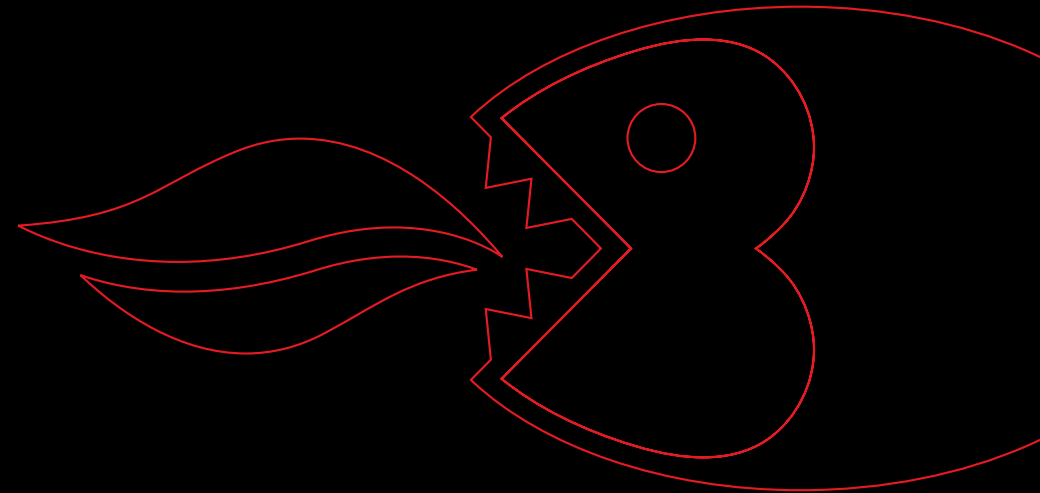


**BAO6009-P**

**60cm Multifunction Self-cleaning Pyrolytic Oven**



- 9 Functions
- 54 litre net / 59 litre gross capacity
- Mark free stainless steel
- Pyrolytic auto clean system
- Superior quality enamel interior
- LED temperature display
- LED 24hr program timer
- Quadruple glazed door
- Safety door locking mechanism for pyrolytic cleaning
- Easy glide door hinges
- One piece seamless oven liner
- Fully sealed oven
- Moulded side oven racks
- Cavity cooling and cool door system



**BAO4636-P**



**46cm Touch Control Multifunction Oven**



- 10 Functions
- 37 litre net / 45 litre gross capacity
- Mark free stainless steel
- Wipe clean enamel interior
- LED temperature display
- LED 24hr program timer
- LED function display
- Touch control operation
- Easy glide door hinges
- Fully sealed oven
- Triple glazed door with full inner door glass
- One piece seamless oven liner
- Chrome steel oven racks
- Cavity cooling system

**BAWD1401-P**



**14cm high Warming Drawer**

- Mark free stainless steel
- 3 heat levels
- Adjustable temperature (up to 85°C)
- Accommodates 6 place setting
- Maximum load: 25kg

**BAO6008-P**



**60cm Double Oven**

Top oven: 4 functions • 30 litre net / 36 litre gross capacity



Main oven: 9 functions • 54 litre net / 60 litre gross capacity



- 4 Functions Top oven
- 9 Functions Main oven
- Wipe clean enamel interior
- LED 24hr program timer
- Easy glide door hinges
- Triple glazed removable oven door
- One piece seamless oven liner
- Cavity cooling system
- Chromed steel oven racks

**BA0759-P**

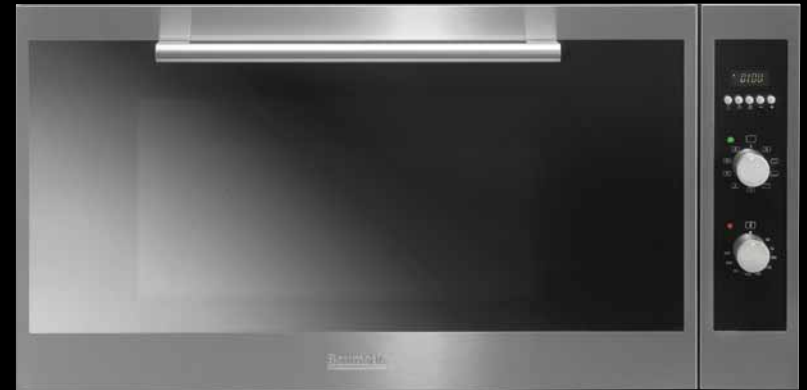


**75cm Multifunction Oven**



- 9 Functions
- 79 litre net / 92 litre gross capacity
- Mark free stainless steel finish
- Wipe clean enamel interior
- LED 24hr program timer
- Easy glide door hinges
- Removable roof guard
- Fully sealed oven
- Triple glazed door with full inner door glass
- One piece seamless oven liner
- Chromed steel oven racks
- Cavity cooling system

**BA09038-P**



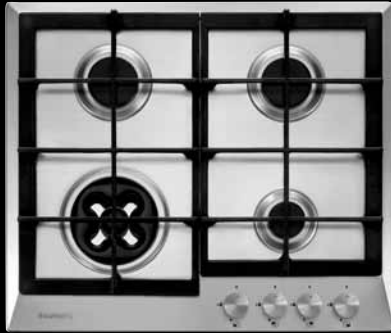
**90cm Multifunction Oven**



- 9 Functions
- 79 litre net / 92 litre gross capacity
- Mark free stainless steel finish
- Wipe clean enamel interior
- LED 24hr program timer
- Easy glide door hinges
- Triple glazed door
- One piece seamless oven liner
- Cavity cooling system
- Chromed steel oven racks
- Rotisserie

**BACG6030-P**

**60cm Gas Cooktop**



4 burner cooktop with wok  
Front control operation  
Automatic ignition  
Heavy duty cast iron trivets  
Flame failure safety device

**BHG730SS**

**70cm Gas Cooktop**



5 burner cooktop with centre wok  
Front control operation  
Automatic ignition  
Heavy duty cast iron trivets  
Flame failure safety device

*Fits into a standard 60cm cut-out*

**BHG750SS**

**75cm Gas Cooktop**



5 burner cooktop with side wok  
Front control operation  
Automatic ignition  
Heavy duty cast iron trivets  
Flame failure safety device  
Hyper-gas extra powerful wok burner  
Dual control hyper gas burner

**BHG930SS**

**90cm Gas Cooktop**



5 burner cooktop with side wok  
Front control operation  
Automatic ignition  
Heavy duty cast iron trivets  
Flame failure safety device  
Hyper-gas extra powerful wok burner  
Dual control hyper gas burner

**BACG3034-P**



**30cm Gas Cooktop**

- 2 burner cooktop
- Front control operation
- Automatic ignition
- Heavy duty cast iron trivets
- Flame failure safety device

**BACG3035-P**



**30cm Gas Cooktop**

- Single triple flame wok burner
- Front control operation
- Automatic ignition
- Heavy duty cast iron trivets
- Flame failure safety device
- Hyper-gas extra powerful wok burner
- Dual control hyper gas burner

**BACE3036-P**



**30cm Ceramic Electric Cooktop**

- 2 hyper speed zones
- Front control operation
- Tough ceran glass surface
- Residual heat indicators
- Spill catchment area

**BAM251TK**



**25 Litre Microwave Oven with Grill**

- Stainless steel exterior and interior
- Microwave output: 800W
- 5 power levels
- Rotating base and plate action
- Push button control operation
- Defrosting by weight mode option
- Grill only operation available
- Grill & Microwave Combination available
- Child safety lock
- LED display with programmable 24hr clock
- Delay start option
- Stainless steel trim kit included

**BAM253TK**



**25 Litre Convection Microwave Oven with Grill**

- Microwave power: 900W
- Grill power: 1100W
- Stainless steel interior
- LED display & clock fully programmable
- 99min 99sec timer
- Electronic push button controls
- Push button/knob control operation
- Quick start function
- 10 functions, 10 power levels
- Oven capacity: 25 litres
- Stainless steel trimkit included

**90cm Electric & Gas Upright Cooker**  
**BAU91EG**



**Oven features:**

- 9 functions including oven light
- Catalytic self cleaning oven liners
- Oven capacity 118 litres
- EU Class A energy efficiency
- Fully programmable LED timer & clock
- Thermostatically controlled grill
- Cavity cooling fan
- Double glazed door with Thermo-stop Technology™
- Removable inner door glass

**Cooktop features:**

- 5 burner cooktop
- 1 x auxiliary burner, 2 x semi-rapid burners
- 1 triple flame wok burner, 1 x rapid burner
- Under-knob ignition
- Heavy duty cast iron pan supports
- Flame failure safety device

**90cm Electric Upright Cooker**  
**BAU91EE**



**Oven features:**

- 9 functions including oven light
- Catalytic self cleaning oven liners
- Oven capacity 118 litres
- EU Class A energy efficiency
- Fully programmable LED timer & clock
- Thermostatically controlled grill
- Cavity cooling fan
- Double glazed door with Thermo-stop Technology™
- Removable inner door glass
- Adjustable feet

**Cooktop features:**

- 2 dual zones
- Responsive radiant elements
- Ceramic glass surface
- Frameless design for ease of cleaning

**90cm Gas Upright Cooker**  
**BAU91GG**



**Oven features:**

- Gas fan assist oven
- Catalytic self cleaning liners
- Oven capacity 118 litres
- EU Class A energy efficiency
- 60 minute timer
- Double glazed door with Thermo-stop Technology™
- Removable inner base for easy cleaning

**Cooktop features:**

- 5 burner cooktop
- 1 x auxiliary burner, 2 x semi-rapid burners
- 1 triple flame wok burner, 1 x rapid burner
- Under-knob ignition
- Heavy duty cast iron pan supports
- Flame failure safety device

**90cm Electric & Gas Upright Cooker**  
**BAF91EG**



**Oven features:**

- 9 functions including oven light
- Catalytic self cleaning oven liners
- Oven capacity 110 litres
- Fully programmable LED timer & clock
- Thermostatically controlled grill
- Cavity cooling fan
- Double glazed removable door
- Removable inner door glass
- Adjustable feet

**Cooktop features:**

- 5 burner cooktop
- 1 x auxiliary burner, 2 x semi-rapid burners
- 1 triple flame wok burner, 1 x rapid burner
- Under-knob ignition
- Heavy duty cast iron pan supports
- Flame failure safety device

**90cm Electric & Gas Upright Cooker**  
**BAF92EG**



**Oven features:**

- 9 functions including oven light
- Catalytic self cleaning oven liners
- Oven capacity 110 litres
- Fully programmable LED timer & clock
- Thermostatically controlled grill
- Cavity cooling fan
- Triple glazed removable door
- Removable inner door glass
- Adjustable feet

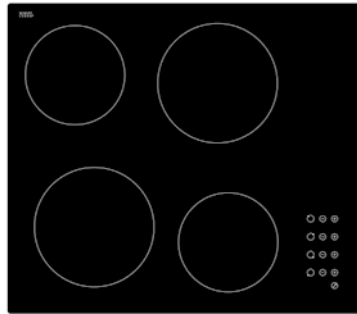
**Cooktop features:**

- 5 burner cooktop
- 1 x auxiliary burner, 2 x semi-rapid burners
- 1 triple flame wok burner, 1 x rapid burner
- Under-knob ignition
- Heavy duty cast iron pan supports
- Flame failure safety device





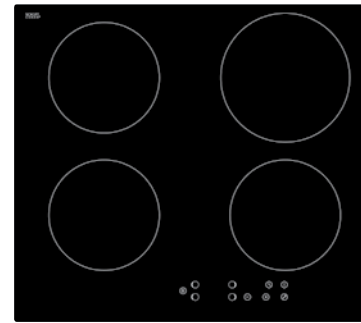
**BACE6004**



**60cm Ceramic Electric Cooktop**

- 4 electric cooking zones
- Touch control with 9 power levels
- Illuminated digital display
- Child safety lock feature
- Auto switch off safety feature
- Residual heat indicators
- Responsive radiant electronic ceran elements
- Toughened ceramic glass surface
- Frameless design

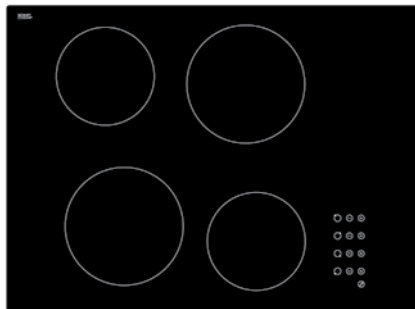
**BACE6006**



**60cm Electric Induction Cooktop**

- 4 induction cooking zones with booster
- 4 independent induction generators
- Toughened ceramic glass surface
- Frameless design for ease of cleaning
- Child safety lock feature
- Residual heat indicators
- Front touch control operation with 9 power levels
- Electronic 99 minute timer
- Auto switch off safety feature
- Auto pan detection

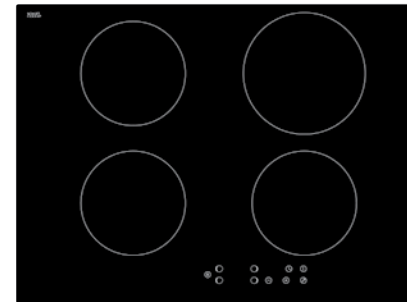
**BACE7004**



**70cm Ceramic Electric Cooktop**

- 4 electric cooking zones
- Touch control with 9 power levels
- Illuminated digital display
- Child safety lock feature
- Auto switch off safety feature
- Residual heat indicators
- Responsive radiant electronic ceran elements
- Toughened ceramic glass surface
- Frameless design

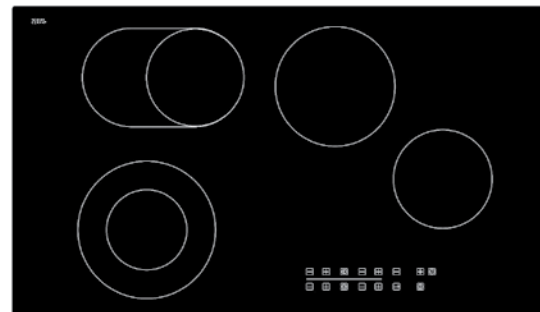
**BACE7006**



**70cm Electric Induction Cooktop**

- 4 induction cooking zones with booster
- 4 independent induction generators
- Toughened ceramic glass surface
- Frameless design for ease of cleaning
- Child safety lock feature
- Residual heat indicators
- Front touch control operation with 9 power levels
- Electronic 99 minute timer
- Auto switch off safety feature
- Autopan detection

**BACE9004**



**90cm Ceramic Electric Cooktop**

- 4 electric cooking zones
- 2 dual zones
- Ceramic glass surface
- Frameless design for ease of cleaning
- Electronic 99 minute timer
- Residual heat indicators
- 9 power levels
- Illuminated digital display
- Child safety lock feature
- Auto switch off safety feature

**GEH6018**



**60cm Slideout Rangehood**

Stainless steel rail with white underside  
 Twin centrifugal motors  
 440m<sup>3</sup>/hr drawing capacity  
 3 speed slide control  
 Twin incandescent lights  
 2 framed aluminium grease filters  
 Carbon filter GECF0107 available

**GEH6019**



**60cm Slideout Rangehood**

Stainless steel rail with white underside  
 Single tangential motor  
 700m<sup>3</sup>/hr drawing capacity  
 3 speed electronic control  
 Twin round halogen lights  
 2 framed aluminium grease filters  
 Carbon filter GECF0108 available

**GEH6017**



**60cm Slideout Rangehood**

Extraction or recirculation  
 440m<sup>3</sup>/hr drawing capacity  
 2 x stainless steel fascia rails included:  
 – 80mmH front recirculating  
 – 40mmH direct ducting  
 2 x centrifugal motors  
 3 speed slide control  
 2 x aluminium grease filters  
 2 x Charcoal filters (GECF0107)

**GEH9017**



**90cm Slideout Rangehood**

Extraction or recirculation  
 440m<sup>3</sup>/hr drawing capacity  
 2 x stainless steel fascia rails included:  
 – 80mmH front recirculating  
 – 40mmH direct ducting  
 2 x centrifugal motors  
 3 speed slide control  
 2 x aluminium grease filters  
 2 x Charcoal filters (GECF0107)

**GEH75U**



**75cm Undermount Rangehood**

600m<sup>3</sup>/hr drawing capacity  
 Stainless steel finish  
 1 x tangential motor  
 3 speed control  
 3 x aluminium grease filter  
 2 x halogen lights



**BAH60**



**60cm 3 Flare Wall Canopy**

- Stainless steel finish
- Twin 20 watt halogen lights
- Twin framed aluminium grease filters
- Single tangential motor
- 500m<sup>3</sup>/hr capacity air extraction
- 3 speed power levels
- Push button control operation
- Flue extension GEFE1202 available
- Carbon filter GECF0108 available

**BAH90**



**90cm 3 Flare Wall Canopy**

- Stainless steel finish
- Twin 20 watt halogen lights
- Triple framed aluminium grease filters
- Single tangential motor
- 700m<sup>3</sup>/hr capacity air extraction
- 3 speed power levels
- Push button control operation
- Flue extension GEFE1202 available
- Carbon filter GECF0108 available

**BAH61****60cm Slimline Wall Canopy**

Stainless steel finish  
Twin 3 Watt LED lights  
Twin framed aluminium grease filters  
Single tangential motor  
500m<sup>3</sup>/hr capacity air extraction  
3 speed power levels  
Electronic push button  
control operation  
Flue extension GEFE1204 available  
Carbon filter GECF0108 available

**BAH93CG****90cm Glass Wall Canopy**

Stainless steel & curved glass  
Twin 3 Watt LED lights  
Twin framed aluminium grease filters  
Single tangential motor  
700m<sup>3</sup>/hr capacity air extraction  
3 speed power levels  
Electronic push button  
control operation  
LCD operation display  
Flue extension GEFE1204 available  
Carbon filter GECF0108 available

**BAH91****90cm Slimline Wall Canopy**

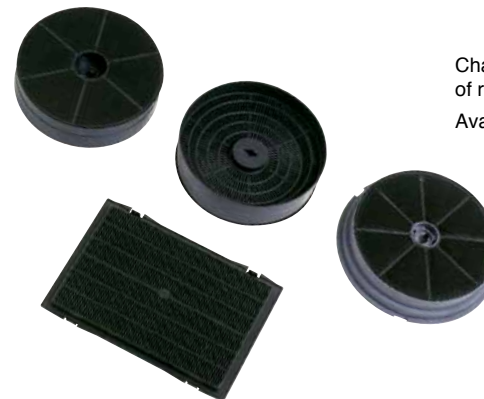
Stainless steel finish  
Twin 3 Watt LED lights  
Triple framed aluminium grease filters  
Single tangential motor  
700m<sup>3</sup>/hr capacity air extraction  
3 speed power levels  
Electronic push button  
control operation  
Flue extension GEFE1204 available  
Carbon filter GECF0108 available

**BAH94FG****90cm Glass Wall Canopy**

Stainless steel & flat glass  
Twin 3 Watt LED lights  
Twin framed aluminium grease filters  
Single tangential motor  
700m<sup>3</sup>/hr capacity air extraction  
3 speed power levels  
Electronic push button  
control operation  
LCD operation display  
Flue extension GEFE1204 available  
Carbon filter GECF0108 available

**BAH93CG-IS****90cm Glass Island Canopy**

Stainless steel & curved glass  
Quadruple 3 Watt LED lights  
Twin framed aluminium grease filters  
Single tangential motor  
700m<sup>3</sup>/hr capacity air extraction  
3 speed power levels  
Electronic push button control operation  
LCD operation display  
Flue extension GEFE1006 available  
Carbon filter GECE0110 available

**ACCESSORIES**

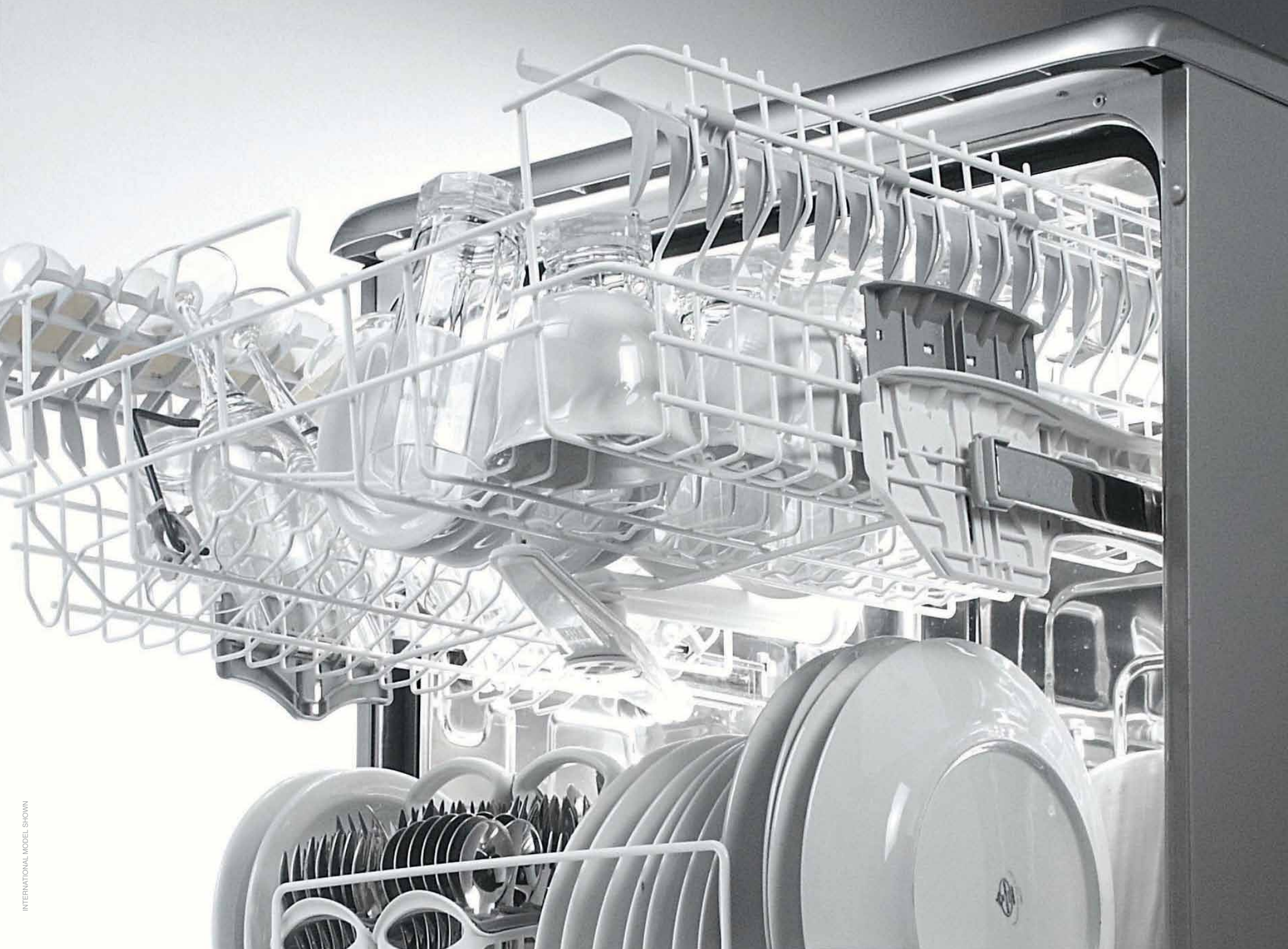
Charcoal filters enable effective filtering of recirculated air back into your kitchen. Available for all Baumatic rangehoods.

**BAH94FG-IS****90cm Glass Island Canopy**

Stainless steel & flat glass  
Twin 3 Watt LED lights  
Twin framed aluminium grease filters  
Single tangential motor  
700m<sup>3</sup>/hr capacity air extraction  
3 speed power levels  
Electronic push button control operation  
LCD operation display  
Flue extension GEFE1006 available  
Carbon filter GECE0110 available



Flue cover extensions enable effective rangehood installation for ceilings of all heights and are available for both wall mounted and island models. Available for all Baumatic canopies.



**BDW60S**



**60cm Freestanding Dishwasher**

- 12 place settings
- 8 programmes
- 5 temperatures
- Anti-leak device
- Anti-flood device
- Height adjustable upper basket
- Collapsible plate racks
- Noise level: 55 dB

**BDWI660 + BAD4503**



**BDWI660 60cm Fully Integrated Dishwasher**

- 14 place settings
- 6 wash programs
- 5 temperatures
- Anti-leak device
- Anti-flood device
- Aqua-stop
- Height adjustable upper basket
- Collapsible plate racks
- Noise level : 49 dB
- LED display
- Half Load Setting (Top or Bottom)
- Delay start
- Premium extra-thick enamel baskets

**BAD4503 45cm Fully Integrated Dishwasher**

- 8 place settings
- 7 programmes
- 5 temperatures
- Anti-leak device
- Anti-flood device
- Height adjustable upper basket
- Collapsible plate racks
- Noise level: 53 dB
- LED display
- Delay start



**BDW70S**



**60cm Freestanding Dishwasher**

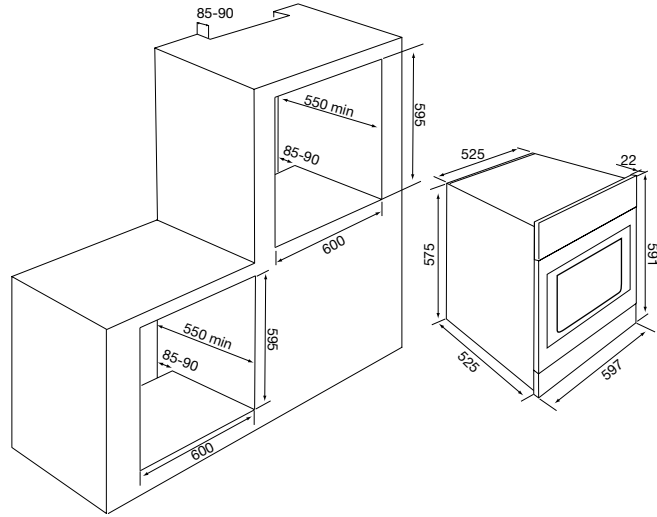
- 14 place settings
- 6 wash programs
- 5 temperatures
- Anti-leak device
- Anti-flood device
- Aqua-stop
- Height adjustable upper basket
- Collapsible plate racks
- Noise level : 49 dB
- LED display
- Half Load Setting (Top or Bottom)
- Delay start
- Premium extra-thick enamel baskets

**BAEC2SS.2**

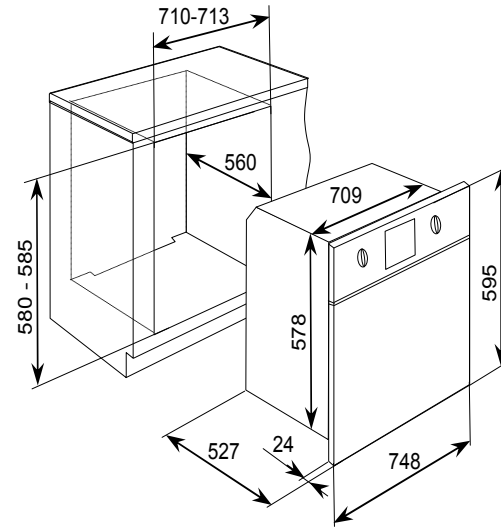


**60cm Semi Automatic Coffee Machine**

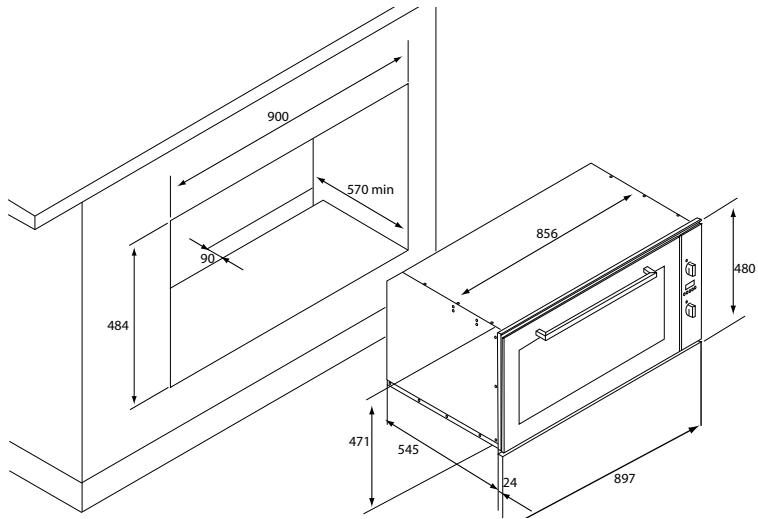
- Mark resistant coating with central mirror glass
- Touch control operation
- Filter suitable for pods, ground coffee or loose-leaf tea
- Steam spout for frothing milk
- Hot water dispensing spout for tea or instant coffee
- Pull-out storage compartment for accessories
- Separate boiler and pump for coffee making & steam
- Coffee pump pressure = 15 bar
- Removable 1.8 litres capacity water tank
- Water softener for water filtration
- Empty water tank warning LED light
- Reaching temperature LED indicator
- Safety stop operation on pumps
- Removable drip tray for ease of cleaning



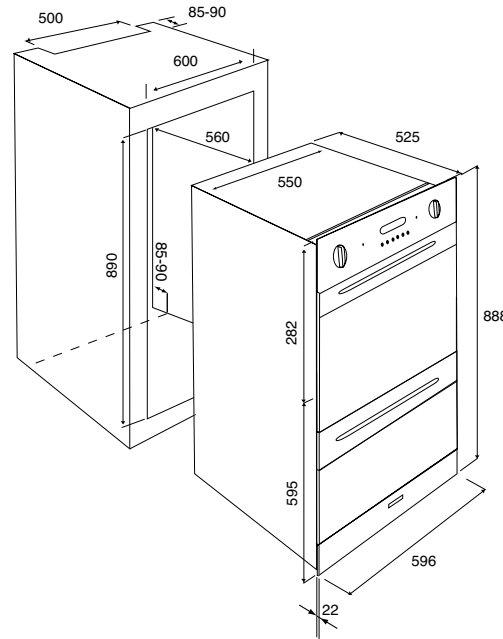
**BAO6003-P and BAO6009-P : 15 AMP PLUG**  
**BAO6001-P : 15 AMP PLUG**



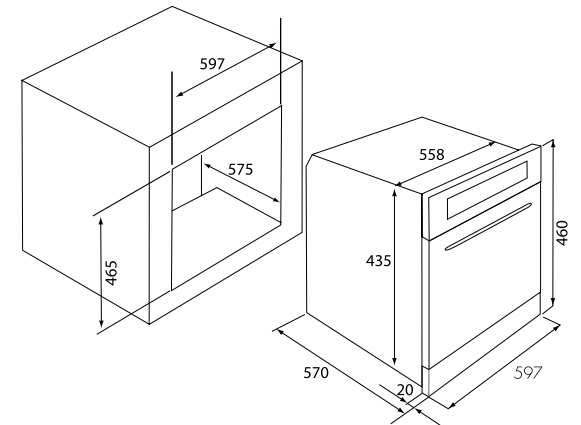
**BAO759-P : 15 AMP PLUG**



**BAO9038-P : 15 AMP PLUG**

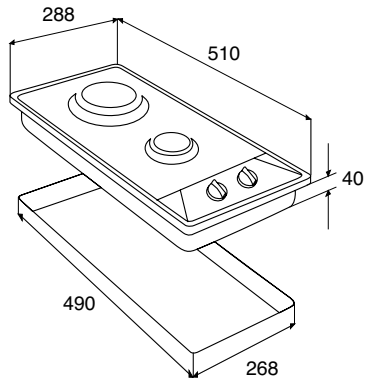


**BAO6008-P : HARD WIRED**

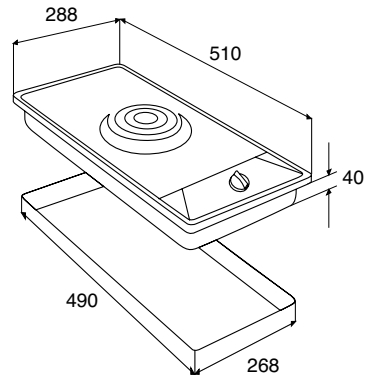


**BAO4636-P : 15 AMP PLUG**

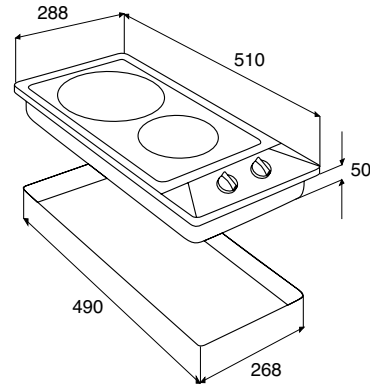




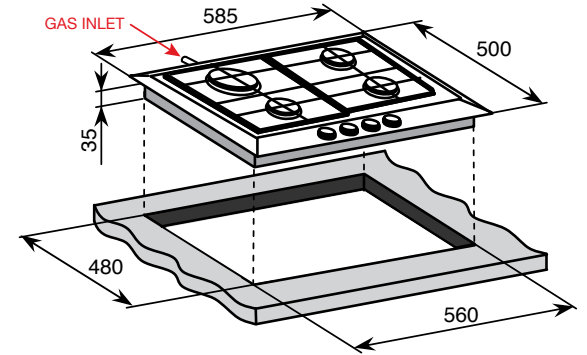
**BACG3034-P : 10 AMP PLUG**



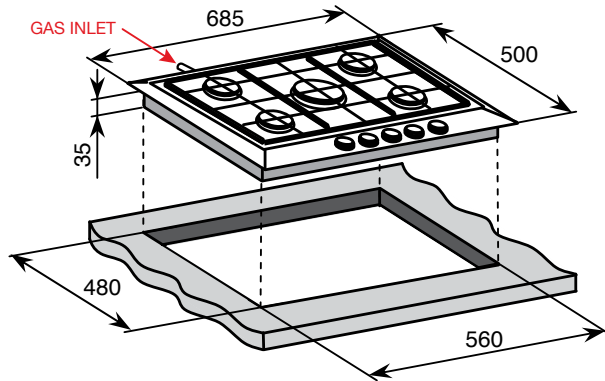
**BACG3035-P : 10 AMP PLUG**



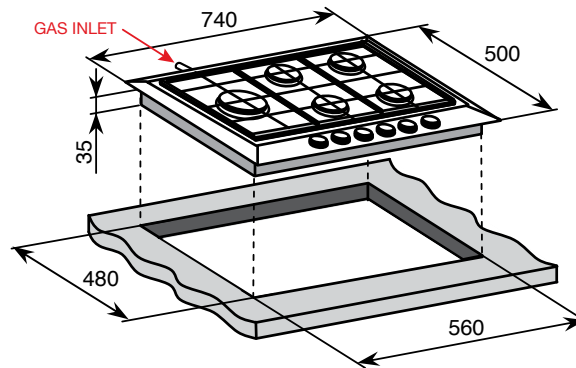
**BACE3036-P : HARD WIRED**



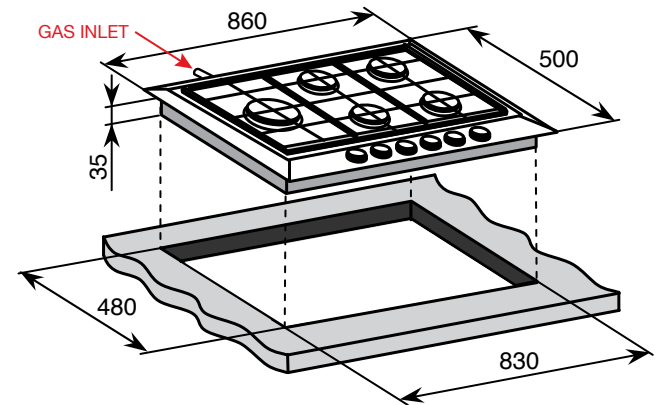
**BACG6030-P : 10 AMP PLUG**



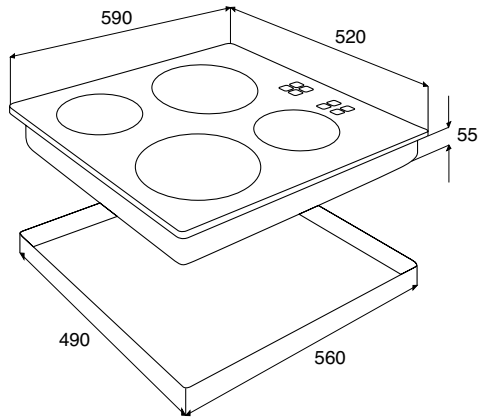
**BHG730SS : 10 AMP PLUG**



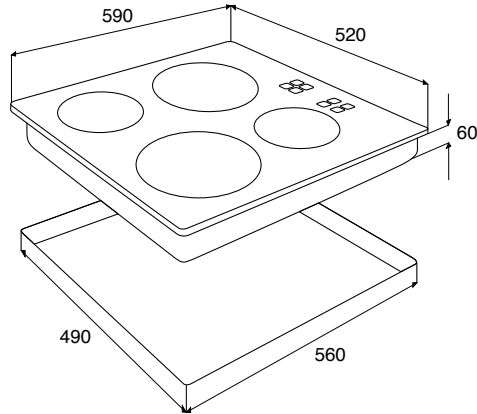
**BHG750SS : 10 AMP PLUG**



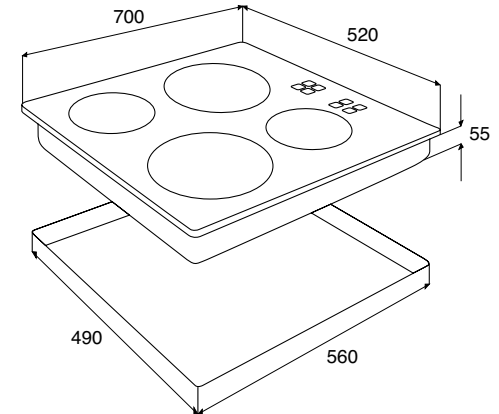
**BHG930SS : 10 AMP PLUG**



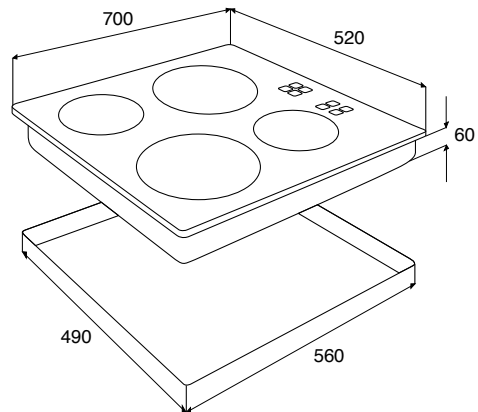
**BACE6004 : HARD WIRED**



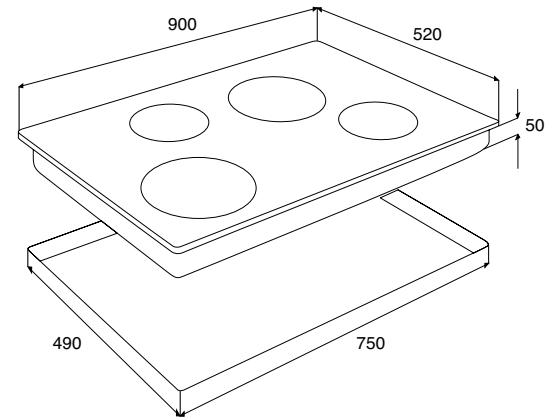
**BACE6006 : HARD WIRED**



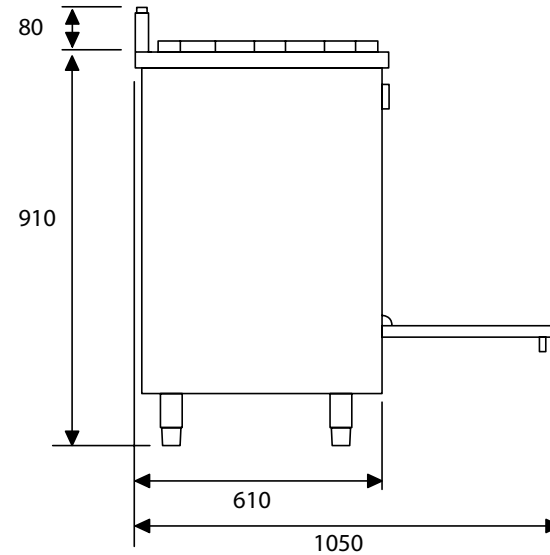
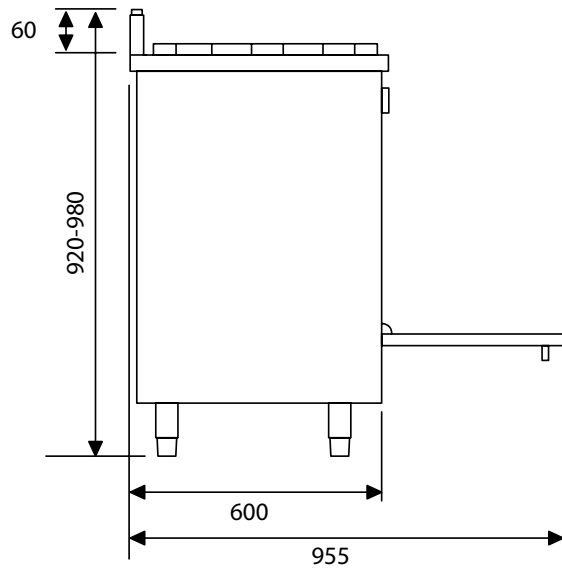
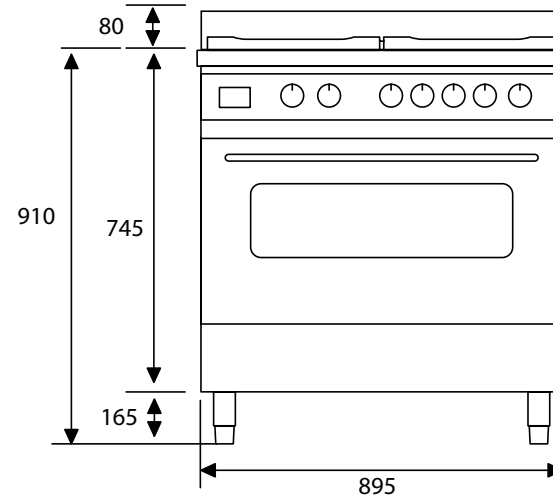
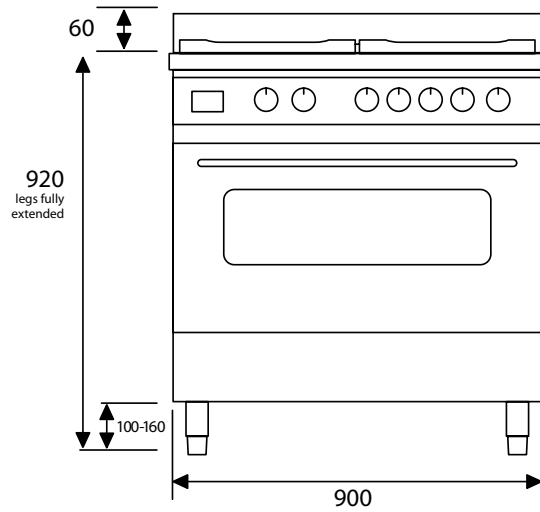
**BACE7004 : HARD WIRED**



**BACE7006 : HARD WIRED**



**BACE9004 : HARD WIRED**



**BAU91EG**  
**15 AMP PLUG**

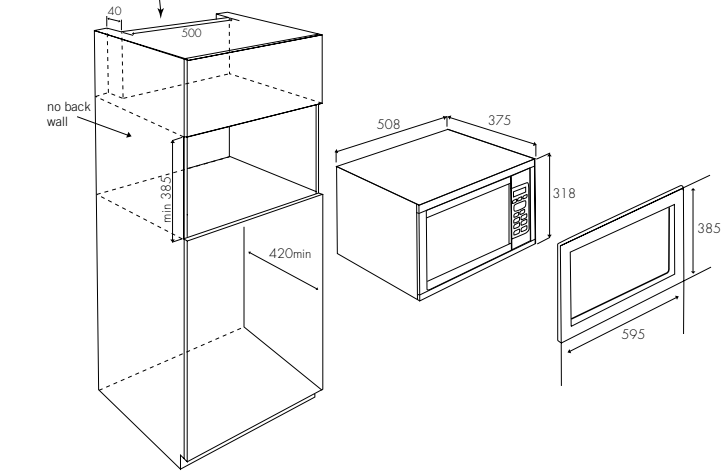
**BAU91GG**  
**10 AMP PLUG**

**BAU91EE**  
**HARD WIRED**

**BAF91EG + BAF92EG**  
**15 AMP PLUG**

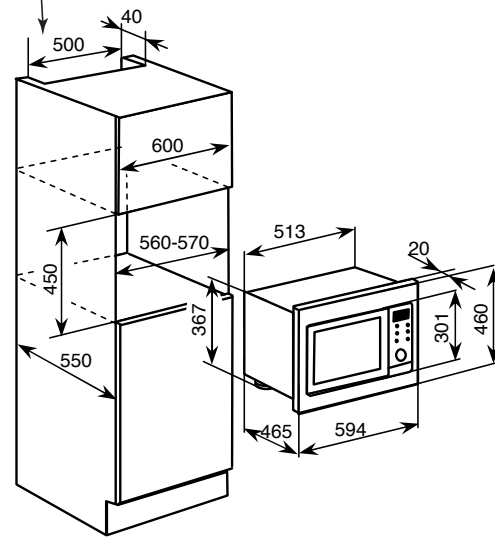
must have ventilation cutout minimum 40mm x 500mm

MICROWAVE AND TRIMKIT WALL INSTALLATION

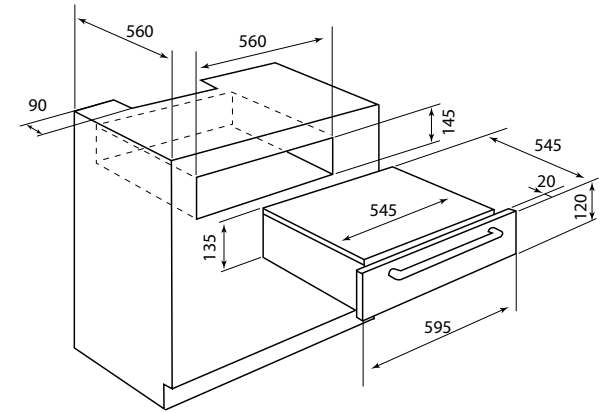


**BAM251TK : 10 AMP PLUG**

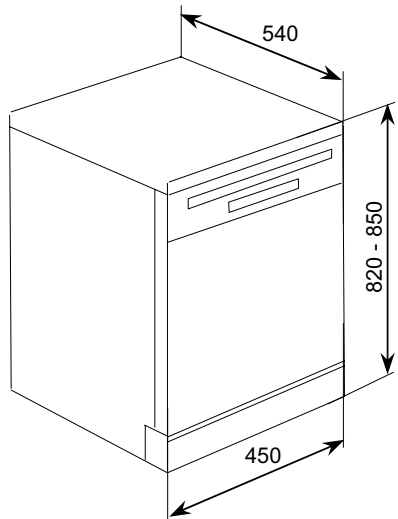
must have ventilation cutout minimum 40mm x 500mm



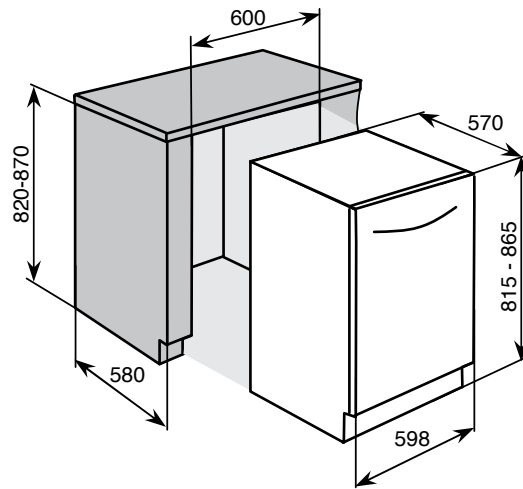
**BAM253TK : 10 AMP PLUG**



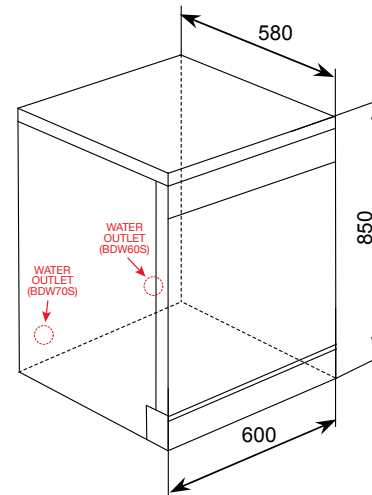
**BAWD1401-P : 10 AMP PLUG**



**BAD4503 : 10 AMP PLUG**

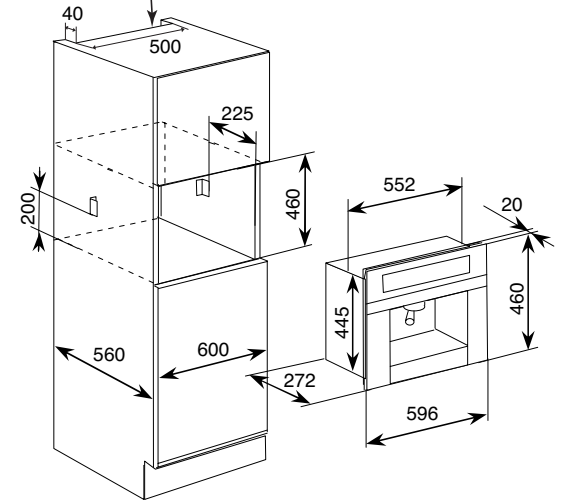


**BDWI660 : 10 AMP PLUG**

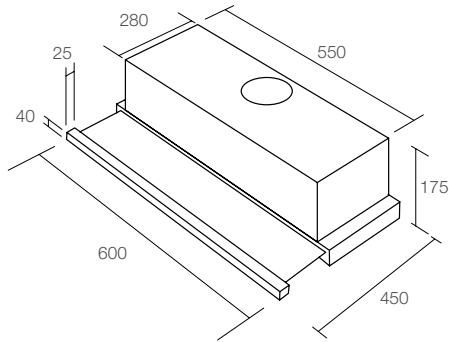


**BDW60S + BDW70S : 10 AMP PLUG**

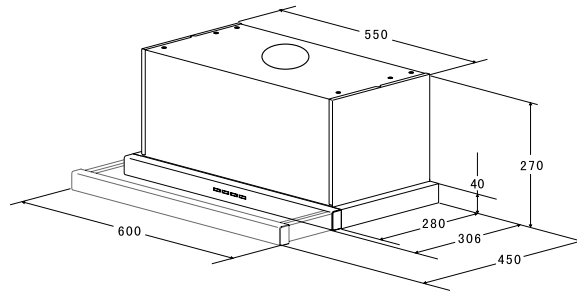
must have ventilation cutout minimum 40mm x 500mm



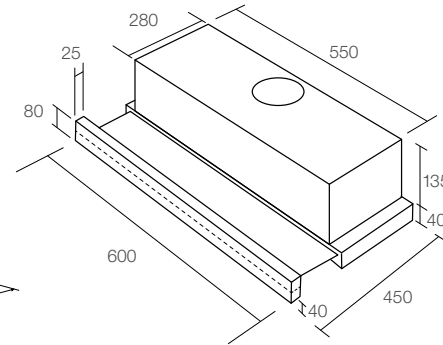
**BAEC2SS.2 : 10 AMP PLUG**



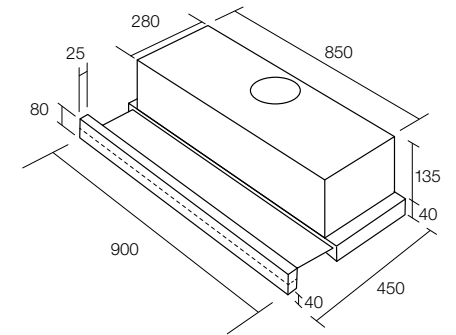
**GEH6018 : CARBON FILTER - GECF0107**



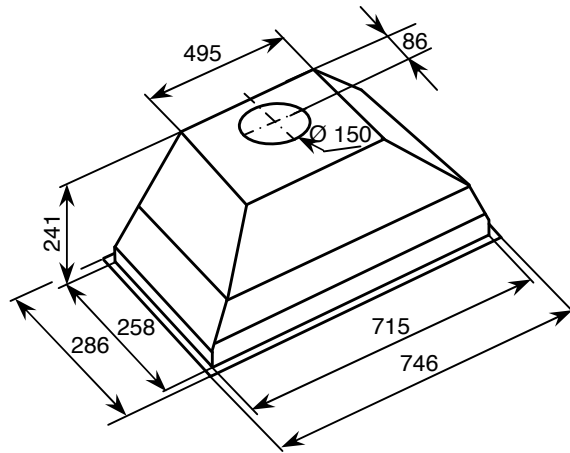
**GEH6019 : CARBON FILTER - GECF0108**



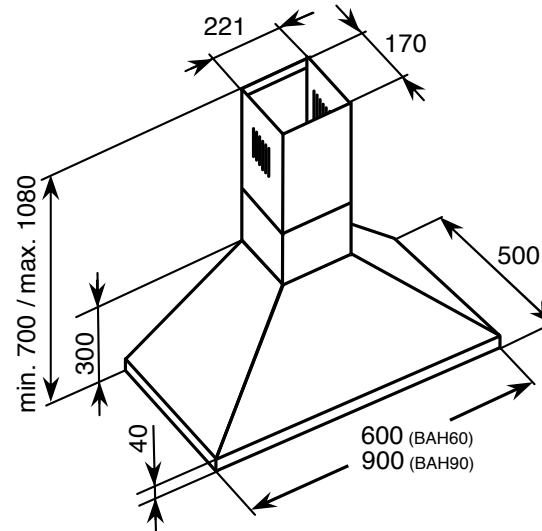
**GEH6017 : CARBON FILTER - GECF0107**



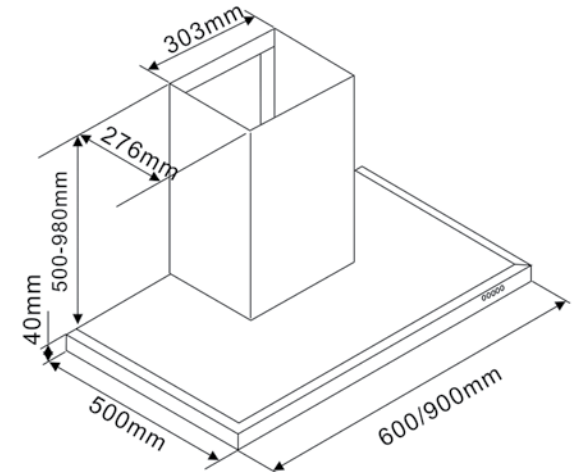
**GEH9017 : CARBON FILTER - GECF0107**



**GEH75U : CARBON FILTER - CFC1**



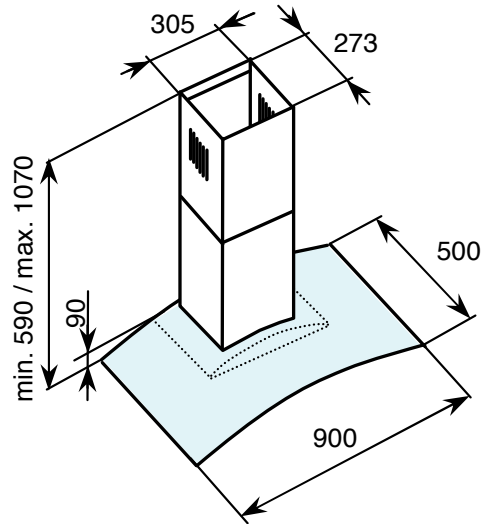
**BAH60 + BAH90 : CARBON FILTER - GECF0108  
FLUE COVER EXTENSION - GEF1202**



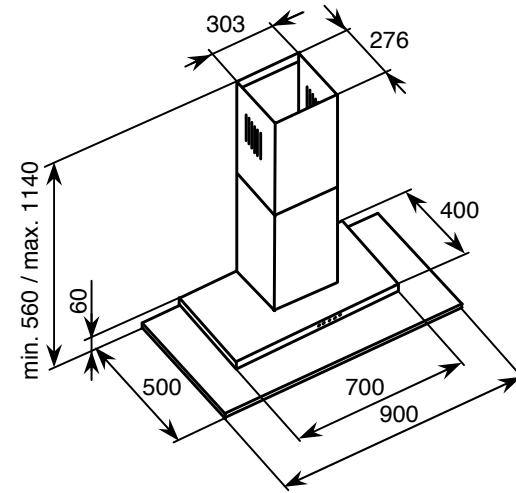
**BAH61 + BAH91 : CARBON FILTER - GECF0108  
FLUE COVER EXTENSION - GEF1204**

**ELECTRICAL CONNECTIONS : ALL RANGEHOODS AND CANOPIES COME WITH A 10 AMP PLUG**

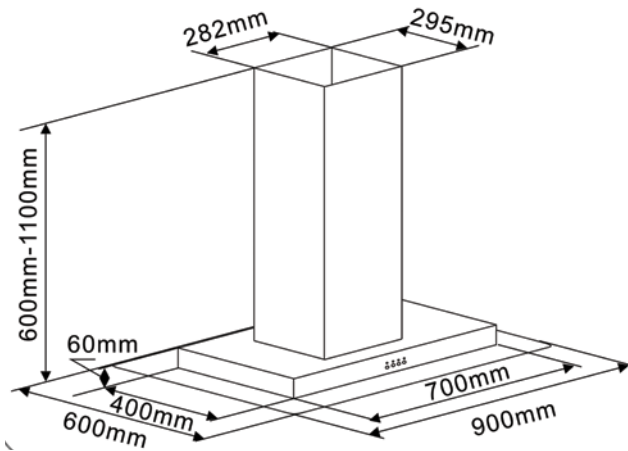
*For full installation requirements, including ventilation for cabinetry, please refer to user and installation manual found with the product or on our website.*



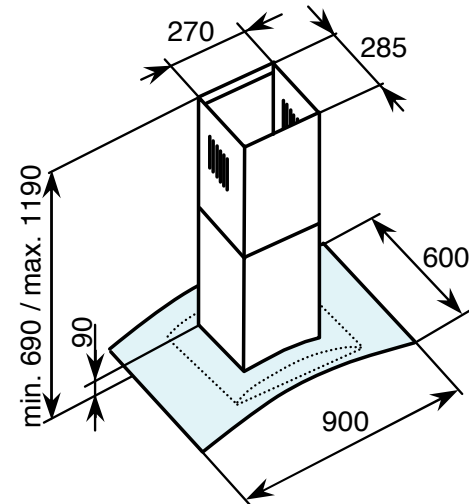
**BAH93CG : CARBON FILTER - GECF0108  
FLUE COVER EXTENSION - GEFE1204**



**BAH94FG : CARBON FILTER - GECF0108  
FLUE COVER EXTENSION - LIFE1202**



**BAH94FG-IS : CARBON FILTER - GECF0110  
FLUE COVER EXTENSION - GEFE1006**



**BAH93CG-IS : CARBON FILTER - GECF0110  
FLUE COVER EXTENSION - GEFE1006**

**ELECTRICAL CONNECTIONS : ALL RANGEHOODS AND CANOPIES COME WITH A 10 AMP PLUG**

*For full installation requirements, including ventilation for cabinetry, please refer to user and installation manual found with the product or on our website.*





**Baumatic Appliances**

416-424 Barry Road

Coolaroo, Victoria, AUSTRALIA 3048

Customer Care Phone 1800 444 357

Sales Phone 1300 132 824

Spare Parts Phone 1300 306 973

Customer Care Fax 1300 133 279

Sales Fax 1300 660 188

Spare Parts Fax 1300 887 306

All Baumatic appliances are suitable for household and domestic use only and come with a 2 year parts and labour customer care warranty for your peace of mind. Baumatic is imported and serviced by Think Appliances who reserve the right to adjust and modify products in this brochure without prior notification. Some images in this brochure may be indicative. To get the most from your Baumatic appliances or in the event you require any assistance please contact the relevant department above.