

**BAM251TK 25 Litre
built in microwave
oven with grill**

INSTRUCTION MANUAL



Welcome to Think Appliances

Thank you for selecting a quality product from Think Appliances. We have taken the time to ensure that your appliance is of the highest possible standard and will give you years of use in your home.

Please take the time to call our Customer Care centre on our free call number

1800 444 357

To register your 12 months parts and labour warranty (some conditions apply – please refer to your warranty card for more details).

Our Customer Care centre is there to ensure you get the most out of your appliance. For example, should you want to learn more about recommended cooking temperatures, the various cooking functions available, how to set and program your LED clock, and importantly taking care of your appliance when cleaning, please call us because we are here to help you.

It is important that you read through the following use and care manual thoroughly to familiarise yourself with the installation and operation requirements of your appliance to ensure optimum performance. Should you have any queries regarding this information, please don't hesitate to contact our Customer Care centre.

We also carry a complete range of spare parts for all Think products. Please contact our team at Pronto Parts on 1300 306 973 for all your spare parts requirements.

Again, thank you for choosing an appliance brought to you by Think Appliances and we look forward to being of service to you.

Kind regards,

Ruud Jona

Managing Director
Think Appliances



This appliance is not intended for use by persons (including children) with reduced physical, sensory or mental capabilities, or lack of experience and knowledge, unless they have been given supervision or instruction concerning use of the appliance by a person responsible for their safety.

Children should be supervised to ensure that they do not play with the appliance.

IMPORTANT SAFETY INSTRUCTIONS READ CAREFULLY AND KEEP FOR FUTURE REFERENCE

- WARNING: If the door or door seals are damaged, the oven must not be operated until it has been repaired by a competent person;
- WARNING: It is hazardous for anyone other than a competent person to carry out any service or repair operation that involves the removal of a cover which gives protection against exposure to microwave energy;
- WARNING: Liquids and other foods must not be heated in sealed containers since they are liable to explode;
- WARNING: When the appliance is operated in the combination mode, children should only use the oven under adult supervision due to the temperatures generated.
- WARNING: Only allow children to use the oven without supervision when adequate instructions have been given so that the child is able to use the oven in a safe way and understands the hazards of improper use;
- only use utensils that are suitable for use in microwave ovens;
- when heating food in plastic or paper containers, keep an eye on the oven due to the possibility of ignition;
- if smoke is observed, switch off or unplug the appliance and keep the door closed in order to stifle any flames;
- microwave heating of beverages can result in delayed eruptive boiling, therefore care must be taken when handling the container;
- the contents of feeding bottles and baby food jars shall be stirred or shaken and the temperature checked before consumption, in order to avoid burns;
- eggs in their shell and whole hard-boiled eggs should not be heated in microwave ovens since they may explode, even after microwave heating has ended;
- refer to “Cleaning and maintenance” details for cleaning door seals, cavities and adjacent parts;
- the oven should be cleaned regularly and any food deposits removed;
- failure to maintain the oven in a clean condition could lead to deterioration of the surface that could adversely affect the life of the appliance and possibly result in a hazardous situation;
- only use the temperature probe recommended for this oven (for appliances having a facility to use a **temperature-sensing probe**);

User Manual for your Baumatic

BAM251TK

**25 Litre built in microwave oven
with grill**



NOTE: This User Instruction Manual contains important information, including safety & installation points, which will enable you to get the most out of your appliance. Please keep it in a safe place so that it is easily available for future reference; for you or any person not familiar with the operation of the appliance.


DD 25/09/09

Contents

| | |
|--|---------|
| Environmental note | 4 |
| Important safety information | 5 – 9 |
| Specifications | 9 - 12 |
| Product dimensions | 9 |
| Aperture dimensions | 9 |
| Product specifications | 9 |
| Description of the appliance | 10 - 11 |
| Control panel | 11 |
| The turntable | 11 - 12 |
| Using your microwave | 12 - 25 |
| Setting the clock | 12 |
| Before first use | 13 |
| Cooking food (microwave mode) | 13 - 14 |
| During operation | 14 |
| Cooking food (grill/grill combi mode) | 15 |
| Automatic defrost programmes | 16 |
| Automatic cooking programmes | 17 |
| Setting multiple cooking phases | 18 |
| Setting a delay start | 19 |
| Safety lock | 20 |
| Microwave cooking guidelines | 21 |
| Materials you can use in a microwave oven | 22 |
| Materials not to be placed in a microwave oven | 23 |
| Utensils table | 23 |
| Defrosting guidelines | 24 |
| Defrosting table | 25 |
| Cleaning and maintenance | 26 - 27 |
| The appliance exterior | 26 |
| The appliance interior | 26 |
| Rotating plate and rotating base | 26 |
| General cleaning advice | 26 - 27 |
| Installation | 27 – 31 |
| Electrical connection | 28 |
| Aperture and ventilation requirements | 29 |
| Installing the microwave into the housing unit | 30 - 31 |
| Troubleshooting | 31 - 32 |
| Contact details | 33 |

Environmental note

This appliance is marked according to the European directive 2002/96/EC on Waste electrical and Electronic Equipment (WEEE). By ensuring this product is disposed of correctly, you will help prevent potential negative consequences for the environment and human health, which could otherwise be caused by inappropriate waste handling of this product.

The symbol  on the product, or on the documents accompanying the product, indicates that this appliance may not be treated as household waste. Instead it shall be handed over to the applicable collection point for the recycling of electrical and electronic equipment.

Disposal must be carried out in accordance with local environmental regulations for waste disposal.

For more detailed information about treatment, recovery and recycling of this product, please contact your local city office, your household waste disposal service or the shop where you purchased the product.



- The packaging materials that Baumatic uses are environmentally friendly and can be recycled.
- Please discard all packaging material with due regard for the environment.

IMPORTANT SAFETY INFORMATION



Your safety is of the utmost importance to Baumatic. Please make sure that you read this instruction booklet **before** attempting to install or use the appliance. If you are unsure of any of the information contained in this booklet, please contact the Think Appliances Advice Line.

General Information

- This appliance is designed for domestic household use. It can **NOT** be used as a freestanding microwave and must be built in to a standard kitchen cabinet or housing unit (see the section entitled "Installation" below).
- You should only operate the appliance when the turntable and turntable support are in position.
- You should only use ovenware that is suitable for being used in a microwave.
- To prevent corrosion occurring due to moisture/condensation, the cavity and the door of the microwave should be wiped dry after each use of the appliance.
- The appliance must not be left unattended if you are heating or cooking food in containers that are made of paper, plastic or other flammable materials. If left unattended, they could pose a **fire hazard**.
- If you notice smoke coming from the appliance, you should keep the door of the microwave closed and then disconnect it from your mains supply. **DO NOT** use your microwave oven, if you think it is not operating correctly.

Installation

- **IMPORTANT:** Only the built in installation sanctioned by Baumatic and outlined in this manual should be followed.
- A separate building in kit will be supplied with the microwave, to allow you to complete a built in installation.
- **IMPORTANT:** The adjacent furniture or housing and all materials used in the installation **must** be able to withstand a minimum temperature of 85°C above the ambient temperature of the room it is located in, whilst in use.

- Certain types of vinyl or laminate kitchen furniture are particularly prone to heat damage or discolouration at temperatures below the guidelines given above.
- Any damage caused by the appliance being installed in contravention of this temperature limit, or by placing adjacent cabinet materials closer than 4mm to the appliance, **will be the liability of the owner.**
- For use in **leisure accommodation vehicles**, please refer to the appropriate information given in the installation instructions for this appliance.
- The use of this appliance for any other purpose or in any other environment without the express agreement of Baumatic Ltd. will invalidate any warranty or liability claim.
- Your new appliance is guaranteed against electrical or mechanical defects, subject to certain exclusions that are noted in Think Appliances's Conditions Of Guarantee. The foregoing does not affect your statutory rights.

Service

- Your microwave complies with all relevant safety standards. In order for it to continue to operate safely, **only an engineer that is approved by the Think Appliances Customer Care Department should work on the appliance.**
- **IMPORTANT:** It is dangerous for a non qualified person to work on the appliance, in particular if they remove the cover that provides protection against exposure to microwave energy.
- If you notice that the door seal, door surfaces, power cord and plug are damaged. You should stop using the appliance, disconnect it from the mains supply and contact the Think Appliances Customer Care Department.
- Only genuine Think Appliances spare parts should be fitted to your appliance. These can be obtained from the Think Appliances Spares Department.

Warning and safety instructions

- This appliance complies with all current European safety legislation. Think Appliances do wish to emphasise that this compliance does not remove the fact that the appliance surfaces **will become hot during use and retain heat after operation.**

- DO NOT place anything between the door and the door frame.
- DO NOT store anything that is flammable inside of the microwave. When it is switched on, the items could catch fire.
- DO NOT switch the appliance on if there is no food or liquid inside of the microwave. If you run the microwave whilst it is empty, there is a chance that it will overload.
- The door seals and the door surfaces should ALWAYS be kept clean and free from debris.

Child Safety

- Baumatic strongly recommend that babies and young children are prevented from being near to the appliance and not allowed to touch the appliance **at any time**.
- If it is necessary for younger family members to be in the kitchen, please ensure that they are kept under close supervision at all times.
- **IMPORTANT:** This appliance should only be operated by adults. You SHOULD NOT allow young children to use the microwave without supervision. Older children should only operate the appliance if they have been thoroughly instructed on how to use the microwave and the consequences of improper usage.

General Safety

- **Do not** allow electrical fittings or cables to come into contact with areas on the appliance that get hot.
- **Do not** use the appliance to heat the room it is located in.
- **Do not** use the appliance to dry paper, textiles or animals.
- **Do not** install the appliance next to curtains or soft furnishings.
- **Do not** use the appliance to heat unopened bottles or cans etc.
- **Do not** heat cooking oil or liquid containing alcohol, as there is the chance of spontaneous combustion.
- **Do not** boil eggs or similar foods in their shells, otherwise they may burst. It is possible to poach eggs in your microwave, providing you prick the yolks first.

- **Do not** attempt to lift or move cooking appliances by using the oven door, as this may cause damage to the appliance or result in injury to the person lifting the appliance.

Cleaning

- Cleaning of the oven should be carried out on a regular basis.
- Great care should be taken whilst using this appliance and when following the cleaning procedure.
- **IMPORTANT:** The appliance must be disconnected from the mains before following the cleaning procedure.

Installation



This appliance must be correctly installed by a suitably qualified person, strictly in accordance with the manufacturer's instructions.

- **Baumatic Ltd. declines any responsibility for injury or damage, to person or property, as a result of improper use or installation of this appliance.**
- Heat, steam and moisture will be created during use of the appliance, take care to avoid injury and ensure that the room is adequately ventilated. If the appliance is going to be used for prolonged periods of time, then additional ventilation may be required.
- Please consult with your qualified installer if you are in any doubt about the amount of ventilation that you will require.

Declaration of conformity

- **CE:** Appliance conforming to the European directives 89/336/EEC, 93/68/EEC, 73/23/EEC and subsequent revisions and "RoHS" directive 2002/95/CE.*
- The manufacturer declares that the oven is built using certified materials and requires the appliance to be installed in accordance with the standards currently in force. This appliance must be used by a trained person for domestic purposes only.
- * The RoHS directive stands for "the restriction of the use of certain hazardous substances in electrical and electronic equipment". This directive bans the placing on the EU market of new electrical and electronic equipment containing more than the agreed levels of lead, cadmium, mercury, hexavalent chromium, polybrominated biphenyl (PBB) and polybrominated diphenyl ether (PBDE) flame retardants.

Specifications

Product dimensions

Height: 303 mm
Width: 509 mm
Depth: 392 mm

Aperture dimensions

Height: 360 mm
Width: 560 mm
Depth: 600 mm

Product specifications

- 5 power levels
- Push button control operation
- Safety lock
- Interior light
- LED display
- LED full programmer
- Defrosting by weight mode
- Grill mode
- Stainless steel exterior and interior
- Stainless steel frame
- Viewing window
- Capacity: 25 litres
- Microwave output: 800 W

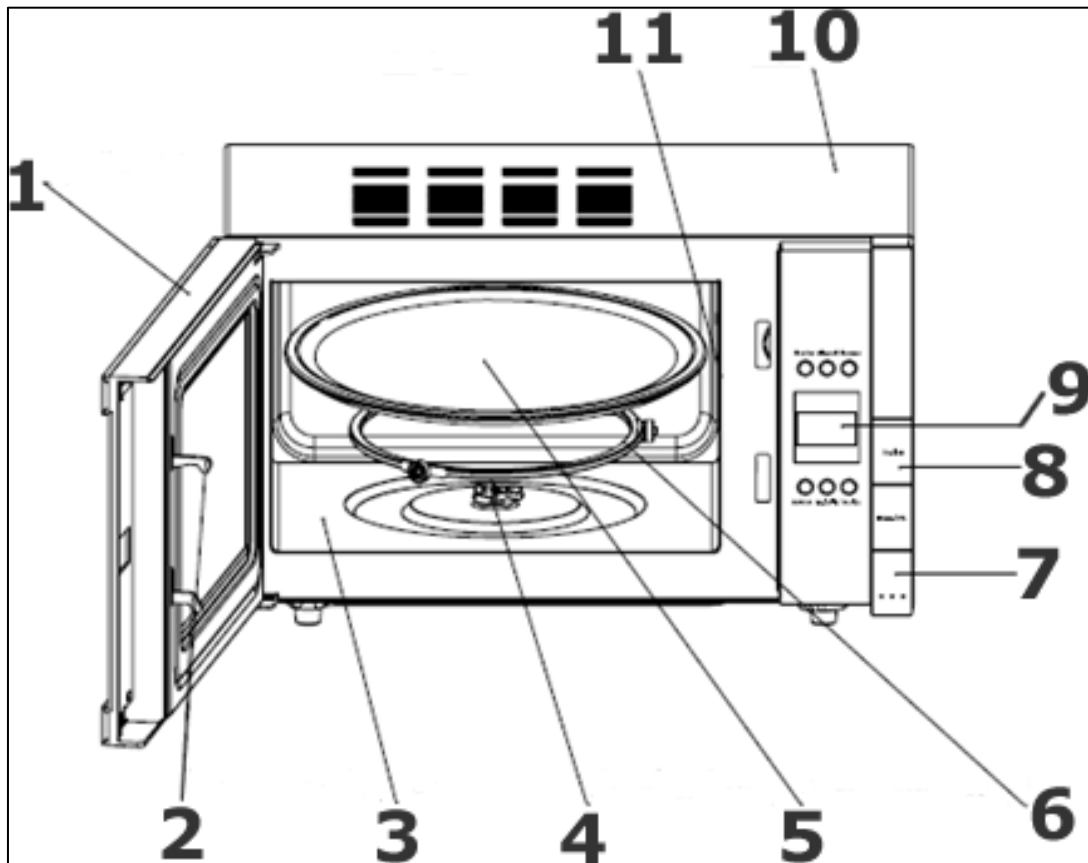
For future reference please record the following information which can be found on the rating plate and the date of purchase which can be found on your sales invoice. The rating plate for your oven can be located by opening the microwave oven door and looking on the right hand side of the chassis and/or on the rear of the appliance.

Model Number

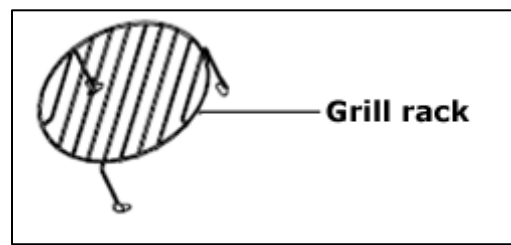
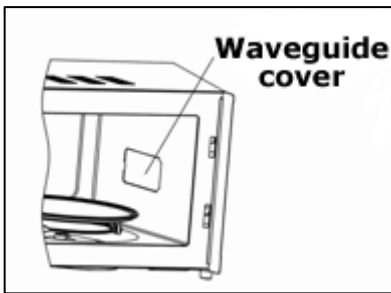
Serial Number

Date of Purchase

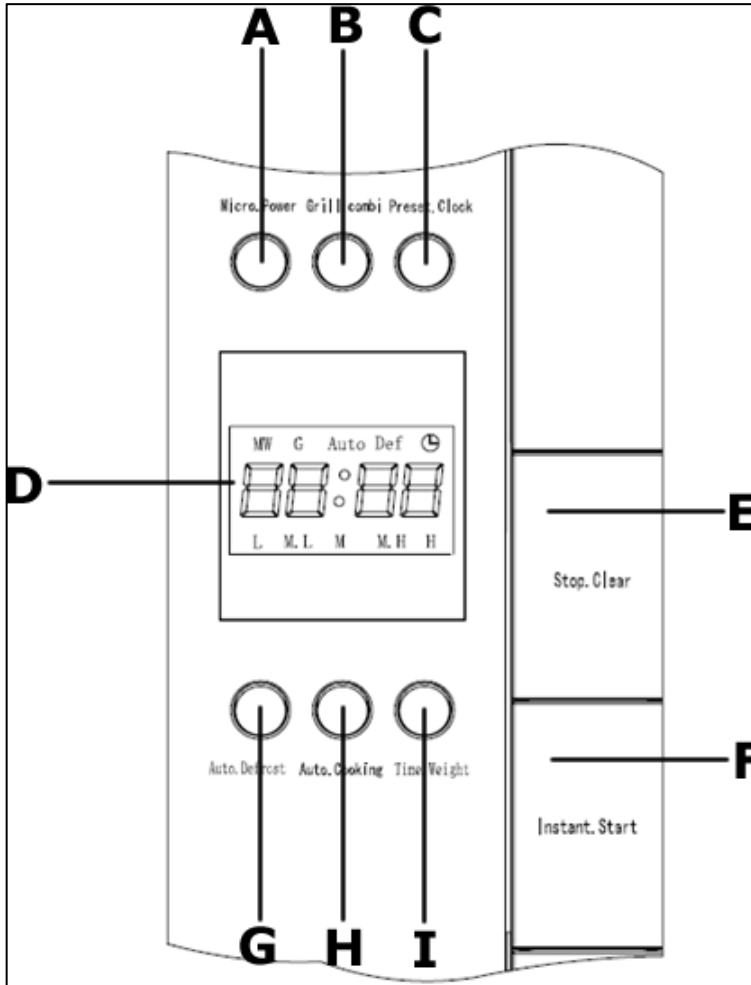
Description of the appliance



- 1) Microwave door
- 2) Door catches
- 3) Cavity
- 4) Slot for rotating base
- 5) Rotating plate
- 6) Rotating base
- 7) Door open button
- 8) Control buttons
- 9) LED display
- 10) Microwave housing
- 11) Wave guide cover (see opposite)

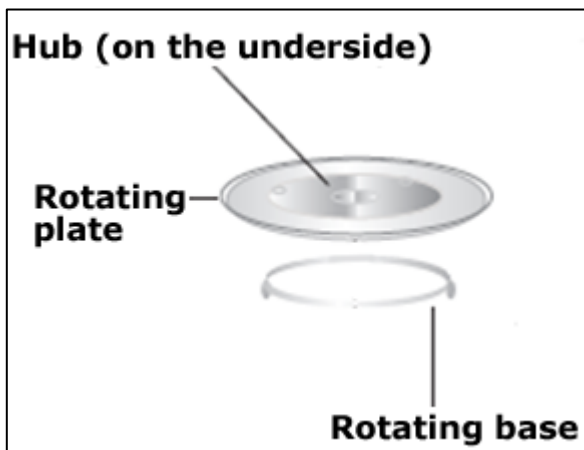


Control panel



- A) Micro power button (power level button)
- B) Grill combi button
- C) Preset clock button (delayed start button)
- D) LED display
- E) Stop clear button
- F) Instant start button (start button)
- G) Auto defrost button
- H) Auto cooking button
- I) Time weight button

The turntable



- **Never** place the rotating plate upside down.
- The rotating plate and rotating base **MUST** always be used during cooking.

- All food and food containers must ALWAYS be placed on the rotating plate during cooking.
- If the rotating plate or rotating base cracks or breaks, it must be replaced immediately. Genuine Baumatic parts can be obtained from Think Appliances.

Using your microwave

Setting the clock

- When your microwave is connected to the power supply, you can set the clock to the correct time of day.
- The entire LED display will flash and then the “:” symbol on its own. You should press the preset clock button **(C)** to set the time of day. The appliance has a 24 hour clock.
- Press the time weight button **(I)** and the hour digits will start to flash. Continue to press the time weight button until the correct hour digit is displayed.
- Press the preset clock button again to confirm the hour time. The minute digits will start to flash. Continue to press the time weight button until the correct minute digit is displayed.
- Press the preset clock button for a third time to confirm the minute time. The digits on the LED display will stop flashing and the time of day is set.
- If you do not set the time of day, every time you connect your microwave to the power supply, you will need to press the stop clear button **(E)** once before you can use the microwave.

Before first use

- To remove any residue from the oven that may have been left from the manufacturing process, you should place a cup that is half filled with water in the microwave.
- Set the microwave on its highest power level for 2 minutes.
- The oven cavity and outside of the appliance should be cleaned with warm soapy water, using either a sponge or soft cloth. No abrasive cleaners should be used. The appliance should be thoroughly dried afterwards.
- We would recommend that an appropriate stainless steel cleaner and polish is regularly used on the stainless steel surfaces of this appliance.

Cooking food (microwave mode)

- Once the clock has been set, your microwave is then ready to use.
- Use the door open button **(7)** to open the door of the microwave.
- Check that the rotating plate and rotating base are correctly assembled in the cavity.
- Place whatever you are cooking in the centre of the microwave cavity and then close the microwave door. **IMPORTANT:** *You should make sure that the door of the microwave is shut securely.*
- Press the micro power button **(A)** to set the required power level, 100P, 80P, 60P, 40P, 20P will appear on the LED display.

| LED Display | Microwave power level | Power level suitable for... |
|-------------|-------------------------|--------------------------------|
| 100P | Full power (100%) | Meat and vegetables |
| 80P | Medium/high power (80%) | Eggs, fish, congee, rice, soup |
| 60P | Medium power (60%) | Steaming food |
| 40P | Medium/low power (40%) | Defrosting food |
| 20P | Low power (20%) | Keeping food warm |

- Once the correct power level is displayed, press the time weight button **(I)** to set the cooking time. The maximum cooking time that can be set is 60 minutes.

- Press the instant start button **(F)** and the microwave will start to heat.
- At the end of the cooking time, your microwave will give an audible signal and the LED display will show the word "END".
- The audible signal will be repeated every 3 minutes, until the stop clear button is pressed or the door is opened by pressing the door open button.
- **IMPORTANT:** *The inside of the microwave and the food that you have been cooking may be extremely hot. So care should be taken when removing items from the microwave. We would recommend that you use an oven glove.*
- After the food has been removed from the microwave, you should make sure that the door is closed.

During operation

- To interrupt the cooking process to turn or stir the food, press the stop clear button **(E)** once.
- Press the door open button **(7)** to open the door of the microwave.
- Whilst the door is open, it is possible to stir the food stuffs that you are cooking or adjust its position on the rotating plate.
- To restart the cooking process, close the door and then press the instant start button once.
- If you wish to remove the food before the cooking time has completed, then press the stop clear button twice to cancel the cooking operation.

Cooking food (grill/grill combi mode)



IMPORTANT: When using the grill and/or grill combi mode, the inside of the oven, grill rack and cooking containers may become extremely hot. **YOU MUST** use an oven glove when removing items from the cavity.

- Use the door open button **(7)** to open the door of the microwave.
- Check that the rotating plate and rotating base are correctly assembled in the cavity.
- Place whatever you are grilling in the centre of the microwave cavity on the grill rack and then close the microwave door. **IMPORTANT:** You should make sure that the door of the microwave is shut securely.
- There is no need to preheat the cavity when using any of the grill modes.
- Press the grill combi button **(B)** and the LED display will show G, C1, C2.

| LED display | Description | Suitable for... |
|-------------|-----------------------------|--|
| G | Grill cooking only | Grilling and browning thin meats, pork, sausage and chicken wings. |
| C1 | Grill and microwave cooking | The microwaves will penetrate thicker food, alternating with the grill element, which will brown and crisp off the food. |
| C2 | Grill and microwave cooking | As C1, but the grill element remains on for longer periods of time. |

- Once the correct grilling programme is displayed, press the time weight button **(I)** to set the cooking time. The maximum cooking time that can be set is 60 minutes.
- Press the instant start button **(F)** and the microwave will start to heat.
- At the end of the cooking time, your microwave will give an audible signal and the LED display will show the word "END".
- The audible signal will be repeated every 3 minutes, until the stop clear button is pressed or the door is opened by pressing the door open button.

Automatic defrost programmes

- Use the door open button **(7)** to open the door of the microwave.
- Check that the rotating plate and rotating base are correctly assembled in the cavity.
- Place whatever you are defrosting in the centre of the microwave cavity and then close the microwave door. **IMPORTANT:** *You should make sure that the door of the microwave is shut securely.*
- Press the auto defrost button **(G)** and the LED display will show d.1, d.2, d.3.

| LED display | Defrost level suitable for... | Weight range (kg) |
|--------------------|--------------------------------------|--------------------------|
| d.1 | Defrosting meat | 0.1 – 2.0 |
| d.2 | Defrosting poultry | 0.2 – 3.0 |
| d.3 | Defrosting seafood | 0.1 – 0.9 |

- Once the correct defrost programme is displayed, press the time weight button **(I)** to set the weight of the food that you are defrosting.
- Press the instant start button **(F)** and the microwave will start to defrost.
- At certain points in the defrosting process, the microwave will give an audible signal. When this occurs, you should open the door of the microwave and turn the food over.
- To restart the cooking process, close the door and then press the instant start button once.
- At the end of the defrosting time, your microwave will give an audible signal and the LED display will show the word "END".
- The audible signal will be repeated every 3 minutes, until the stop clear button is pressed or the door is opened by pressing the door open button.

Automatic cooking programmes

- Use the door open button **(7)** to open the door of the microwave.
- Check that the rotating plate and rotating base are correctly assembled in the cavity.
- Place whatever you are cooking in the centre of the microwave cavity and then close the microwave door. **IMPORTANT:** You should make sure that the door of the microwave is shut securely.
- Press the auto cooking button **(H)** and the LED display will show A.1 – A.8.

| LED display | Food group | Cooking guidance | Maximum weight |
|-------------|------------|--|----------------|
| A.1 | Popcorn | Suitable for popping a bag of corn, which are available at supermarkets. If during cooking the popping speed slows to once every 1 – 2 seconds, press the stop clear button to end the process. | 85 g |
| A.2 | Popcorn | As A.1 | 100 g |
| A.3 | Pizza | Suitable for warming a piece of chilled pizza. | 150 g |
| A.4 | Beverage | Use a cup with a large opening and DO NOT cover it. | 250 ml |
| A.5 | Beverage | As A.4 | 500 ml |
| A.6 | Potato | Cut the potatoes into 5 cm ³ pieces. Place them into a large dish and put a suitable microwave cover over the dish. | 450 g |
| A.7 | Potato | As A.6 | 650 g |
| A.8 | Fish | Wash the fish, remove the scales and make slits into the skin. Place the fish in a shallow dish and then season as required. Put a suitable microwave cover over the dish. After cooking, stand for 2 minutes. | 450 g |

- The automatic cooking times are suitable for food that is stored at room temperature.
- The temperature, weight and shape of the food will all influence the final cooking results. It is possible to adjust the cooking times to suit personal preference.

Setting multiple cooking phases

It is possible to set the microwave to cook at different power levels within a single cooking time. A maximum number of 4 cooking phases can be set at once.

- Press the micro power button **(A)** to set the required power level for the first cooking phase. 100P, 80P, 60P, 40P, 20P will appear on the LED display.
- Press the time weight button **(I)** to set the cooking time for the first cooking phase.
- It is possible to program a further 3 cooking phases by following the above two steps.
- When you have set the final cooking phase, press the instant start button **(F)** and the microwave will start the first cooking phase.
- When the first cooking phase has completed, it will automatically move onto the next cooking phase.
- At the end of all of the cooking phases, your microwave will give an audible signal and the LED display will show the word "END".
- The audible signal will be repeated every 3 minutes, until the stop clear button is pressed or the door is opened by pressing the door open button.
- After the food has been removed from the microwave, you should make sure that the door is closed.

Setting a delay start

This function will allow you to set a time in the future that the microwave will switch on at.

- **IMPORTANT:** *You must make sure that the clock is set to the correct time before using this feature.*
- **IMPORTANT:** *It is not possible to set a delay start when using automatic cooking, automatic defrost or quick start.*
- Set the power level and cooking time (as described previously in this instruction manual).
- DO NOT press the instant start button **(F)** at this point, otherwise the microwave will start cooking immediately.
- Press and hold down the preset clock button **(C)** until you hear a brief audible signal.
- Press the time weight button **(I)** and the hour digits will start to flash. Continue to press the time weight button until the hour digit that you want the cooking to start at is displayed.
- Press the preset clock button again to confirm the hour time. The minute digits will start to flash. Continue to press the time weight button until the minute digit that you want the cooking to start at is displayed.
- Press the preset clock button for a third time to confirm the time of day that the microwave will start cooking at.
- When the time of day that you have programmed is reached, the microwave will bleep twice and then the microwave will start cooking automatically.
- **IMPORTANT:** *If the microwave door is not shut when the time of day that you have programmed is reached, then cooking will not commence.*



IMPORTANT: *Although your microwave has a delay start feature, we do not recommend that the microwave is **EVER** programmed to switch on when it is unattended.*

Safety lock

- When the microwave is not heating, it is possible to switch on the safety lock.
- Press and hold down the stop clear button **(E)** until the word "OFF" appears on the LED display.
- Until the safety lock is switched off, all control buttons on the microwave will be disabled.
- To switch off the safety lock, press and hold down the stop clear button until a ":" appears on the LED display.

Microwave cooking guidelines

- If you are heating liquid in the microwave, then you must also place a teaspoon in the container. This will ensure that the liquid does not boil suddenly after being removed from the microwave cavity.
- This phenomenon is called “delayed boiling”, this means that a liquid can be close to boiling point, even if there is no steam coming off the liquid or the liquid is not bubbling. If the liquid container is even gently shaken, then the liquid can without warning boil over or even spurt. This could **scald the end user**.
- If the food you are cooking has a skin or peel (e.g. sausages, tomatoes, potatoes etc), then you should pierce the skin or peel with a fork. This will ensure that if steam is created during the heating process, it can escape and the food will not burst.
- When heating baby food, the bottle or jar containing the food should **NEVER** have a top or lid on. After cooking, to ensure that the food has been heated uniformly, you should stir or shake the food. **IMPORTANT:** *You must check the temperature of the food before feeding it to a child.*
- When heating food in a microwave, it will transmit the heat to the container that the food is in or on. You should **ALWAYS** use oven gloves when removing items from the microwave.
- You should make sure that you do not cook food for too long or at too high a power level. This could cause certain areas of the food to dry out or even ignite.
- You should not use ceramic or porcelain crockery, or porous earthenware inside of your microwave. These dishes could absorb moisture from the food whilst it is cooking, which could cause pressure to build up and shatter the dish.
- If you are heating certain foods and any liquid, moisture will evaporate and condensation may occur. This does not indicate that the appliance is faulty and it can be particularly noticeable if the ambient temperature of the room is high.
- **IMPORTANT:** *Any condensation should be wiped up with a soft cloth as soon as you have finished using the microwave.*
- After the cooking time has completed, you should let the food stand for a few minutes. This is called “standing time” and will allow the heat generated by the microwave to spread evenly throughout the food.

Materials you can use in a microwave oven

| Material | Remarks |
|-----------------------|--|
| Aluminium foil | To be used for shielding only. Small smooth pieces can be used to cover thin parts of meat or poultry to prevent overcooking. Arcing can occur if foil is too close to the cavity walls. The foil should be at least 2.5 cm away from the cavity walls. |
| Browning dish | Follow the manufacturer's instructions. The bottom of the browning dish must be at least 5 mm thick above the turntable. Incorrect usage may cause the turntable to break. |
| Dinnerware | Microwave-safe only. Follow the manufacturer's instructions. Do not use cracked or chipped dishes. |
| Glass jars | Always remove the lid. Use only to heat food until just warm. Most glass jars are not heat resistant and may break. |
| Glassware | Heat-resistant oven glassware only. Make sure there is no metallic trim. Do not use cracked or chipped dishes. |
| Oven cooking bags | Follow the manufacturer's instructions. Do not close with a metal tie. Make slits in the bag to allow steam to escape. |
| Paper plates and cups | Use for short-term cooking/warming only. Do not leave the oven unattended whilst cooking. |
| Paper towels | Use to cover food for reheating and absorbing fat. Use under supervision and for short-term cooking only. |
| Parchment paper | Use as a cover to prevent splattering or as a wrap for steaming |
| Plastic | Microwave-safe only. Follow the manufacturer's instructions. It should be labelled as "microwave safe". Some plastic containers soften as the food inside gets hot. "Boiling bags" and tightly closed plastic bags should be slit, pierced or vented, as described by the package. |
| Plastic wrap | Microwave-safe only. Use to cover food during cooking to retain moisture. Do not allow the plastic wrap to touch the food. |
| Thermometers | Microwave-safe only. Meat and candy thermometers. |
| Wax paper | Use as a cover to prevent splattering and to retain moisture. |

Materials not to be placed in a microwave oven

| Material | Remarks |
|---------------------------------|--|
| Aluminium tray | May cause arcing. Transfer food into a microwave-safe dish. |
| Food carton with metal handle | May cause arcing. Transfer food into a microwave-safe dish. |
| Metal or metal-trimmed utensils | Metal shields the food from microwave energy. The metal trim may cause arcing. |
| Metal twist ties | May cause arcing and could cause a fire in the oven. |
| Paper bags | May cause a fire in the oven. |
| Plastic foam | Plastic foam may melt or contaminate the liquid inside when exposed to a high temperature. |
| Wood | Wood will dry out when used in the microwave oven and may split or crack. |

Utensils table

| Cookware | Microwave | Grill | Combination* |
|------------------------------------|------------------|--------------|---------------------|
| Heat-resistant glass | Yes | Yes | Yes |
| Non heat-resistant glass | No | No | No |
| Heat-resistant ceramics | Yes | Yes | Yes |
| Microwave-safe plastic dish | Yes | No | No |
| Kitchen paper | Yes | No | No |
| Metal tray | No | Yes | No |
| Metal rack | No | Yes | No |
| Aluminium foil and foil containers | No | Yes | No |

* Combination mode applies to microwave + grill mode.

Defrosting guidelines

- Only use microwave-safe dishes for defrosting (porcelain, glass, suitable plastic).
- The defrosting time depends on the quantity and weight of the food that you are defrosting. When freezing, you should split the food into quantities that are suitable for defrosting in the microwave.
- Distribute the food as evenly as possible within the microwave cavity. The thickest parts of fish or chicken legs should be placed on top.
- The thicker parts of the food should be turned around several times during the defrosting process.
- Foods that are rich in fats, such as butter, cottage cheese and cream should not be entirely defrosted. If they are at room temperature, they will be ready to serve within a few minutes. If cream are deep frozen and little bits of ice remain on the top of it, the cream should be whipped before eating.
- Bread should be wrapped in a napkin so that it does not get too dry when being defrosted.
- Remove frozen food from its packaging and do not forget to remove any metal clips. If the containers are suitable for placing in a freezer and a microwave, then you can simply remove the lid.
- The liquid that is created during the defrost process, particularly in the case of poultry should be discarded. Under no circumstances should it come into contact with other foods.
- A resting period is required when defrosting food, to ensure that the food is totally defrosted. This normally takes between 15 – 20 minutes.

Defrosting table

| Food type | Defrosting guidance |
|--------------------------------------|--|
| Steaks/chops | <ul style="list-style-type: none"> - Shield the thin end of the meat with foil. - Position the food in a single layer on a shallow dish, with the thinner part of the meat in the centre. - If pieces are stuck together, try to separate them as quickly as possible. - When prompted, turn the food over and then shield the sections that have already defrosted with foil. - After the defrost time, leave the meat covered with aluminium foil for 5 – 15 minutes. |
| Minced beef | <ul style="list-style-type: none"> - Place the frozen minced beef on a shallow dish, shielding the edges with foil. - When prompted, turn the food over and remove the defrosted portions. Turn over and shield the edges with foil. - After the defrost time, leave the mince covered with aluminium foil for 5 – 15 minutes. |
| Roast meat (beef, lamb, pork) | <ul style="list-style-type: none"> - Place the joint with the lean side facing upwards on a shallow dish, shielding the edges with foil strips. - When prompted, turn the food over and then shield the sections that have already defrosted with foil. - After the defrost time, leave the meat covered with aluminium foil for 10 – 30 minutes. |
| Poultry | <ul style="list-style-type: none"> - Remove the poultry from its original packaging. Place it on a shallow dish, shielding the wing and leg tips with foil. - When prompted, turn the food over and then shield the sections that have already defrosted with foil. - After the defrost time, leave the poultry covered with aluminium foil for 15 – 30 minutes. - After standing time, run under cold water to remove the giblets (if necessary). |
| Chicken pieces (wings or drumsticks) | <ul style="list-style-type: none"> - Place the chicken on a shallow dish, shielding the exposed bone with foil. - When prompted, turn the food over and then shield the sections that have already defrosted with foil. - After the defrost time, leave the chicken pieces covered with aluminium foil for 5 – 30 minutes. |



Cleaning operations must only be carried out when the oven is cool.

The appliance should be disconnected from your mains supply before commencing any cleaning process.

The appliance exterior

- You should wipe over the front of the appliance with a soft cloth and warm water mixed with a little washing up liquid.
- ***DO NOT*** use abrasive cleaners or sharp objects to clean the front surface of the microwave.

The appliance interior

- You should wipe over the inside of the appliance with a soft cloth and warm water mixed with a little washing up liquid.
- You should pay particular attention to the door seal and the surrounding area.
- ***DO NOT*** use abrasive cleaners or sharp objects to clean the inside of the microwave.

Rotating plate and rotating base

- The rotating plate and rotating base should be removed from the microwave for cleaning purposes after each use.
- Clean the rotating plate and rotating base in warm water mixed with a little washing up liquid.

General cleaning advice

- ***IMPORTANT:*** Any condensation should be wiped up with a soft cloth as soon as you have finished using the microwave.
- To remove odours from inside of the microwave, you should boil one cup of water mixed with several tablespoons of lemon juice inside of the cavity.

- The microwave should be thoroughly cleaned before it is operated for the first time and after each use. This will avoid residual food stuffs becoming baked on the oven cavity. After residues have been baked on several times, they are far more difficult to remove.
- **Never** clean the oven surfaces by steam cleaning.
- We would recommend that an appropriate stainless steel cleaner and polish is regularly used on the stainless steel surfaces of this appliance.
- If you use any form of oven cleaner on your appliance, then you must check with the manufacturer of the cleaner that it is suitable for use on your appliance.
- ***Any damage that is caused to the appliance by a cleaning product will not be fixed by Baumatic free of charge, even if the appliance is within the guarantee period.***

Installation



The installation must be carried out by a suitably qualified person, in accordance with the current version of the following.

- Regulations and Safety Standards.
- ***Building Regulations***
- ***Building Standards***
- ***Wiring Regulations.***

Electrical connection



YOUR MICROWAVE IS INTENDED FOR FITTED AND PERMANENT INSTALLATION.

- Before connecting the appliance, make sure that the supply voltage marked on the rating plate corresponds with your mains supply voltage.
- We recommend that the appliance is connected by a qualified electrician, who will comply with national and local regulations.

- **WARNING: THIS APPLIANCE MUST BE EARTHED.**
- This appliance is supplied with a moulded plug, which must be connected to an earthed socket.
- The outlet must still be accessible even when your microwave is located in its housing.
- The wiring in the mains lead is coloured as follows:

| | |
|-------------------------|---------|
| Brown | Live |
| Blue | Neutral |
| Green and yellow | Earth |

- As the colours of the wires in the appliance's mains lead may not correspond with the coloured markings identifying the terminals in your spur box, please proceed as follows:

The **brown wire** must be connected to the terminal marked "L" (live), or coloured **red**.

The **blue wire** must be connected to the terminal marked "N" (neutral), or coloured **black**.

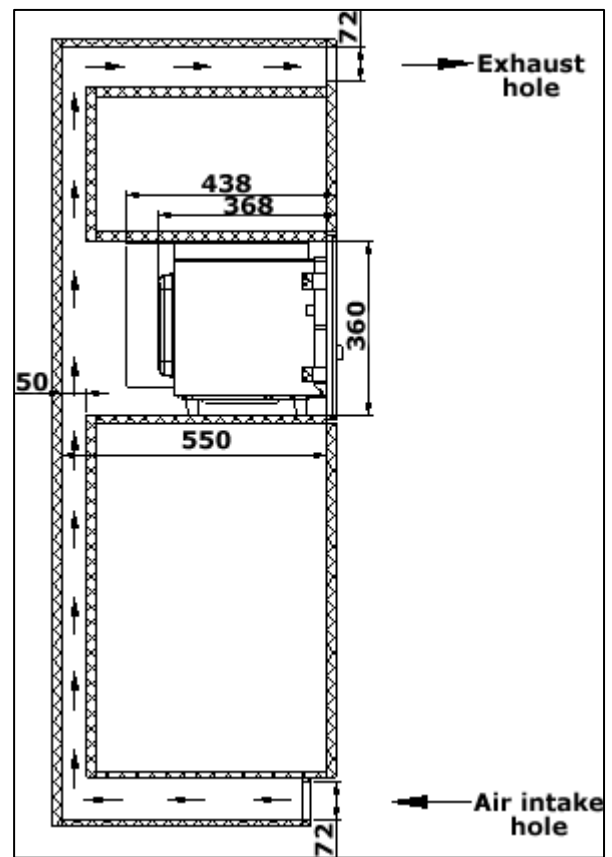
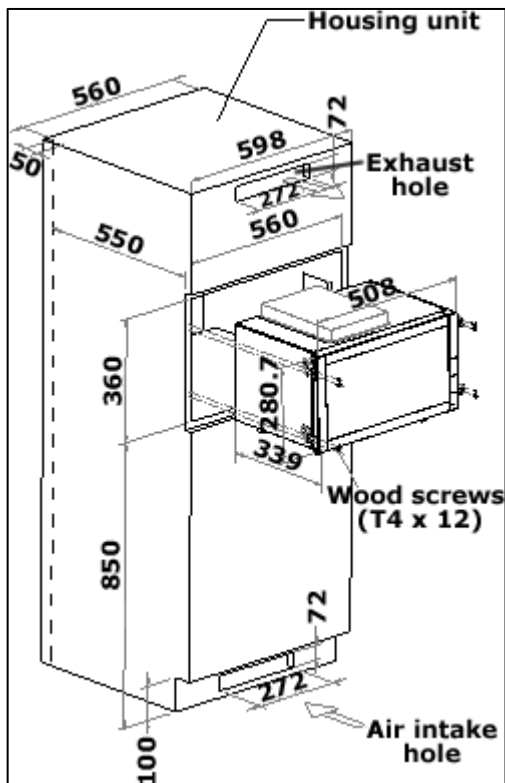
The **green and yellow wire** must be connected to the terminal marked "E" (earth), or by the earth symbol, or coloured **green and yellow**.

- When the connection is completed, no stray strands or cut wire should be present. The cord clamp must be secured over the outer sheath.
- Broken or damaged power leads must only be replaced by a suitably qualified person. A power lead of a similar type must be used in replacement.



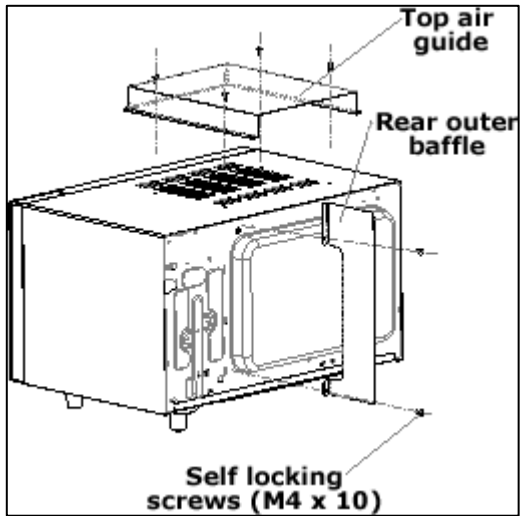
Before beginning to install your appliance, check that there is no sign of damage (on the inside or the outside of the microwave), and that there are no packing materials or accessories inside the cavity. Remove any protective film on the microwave.

Aperture and ventilation requirements

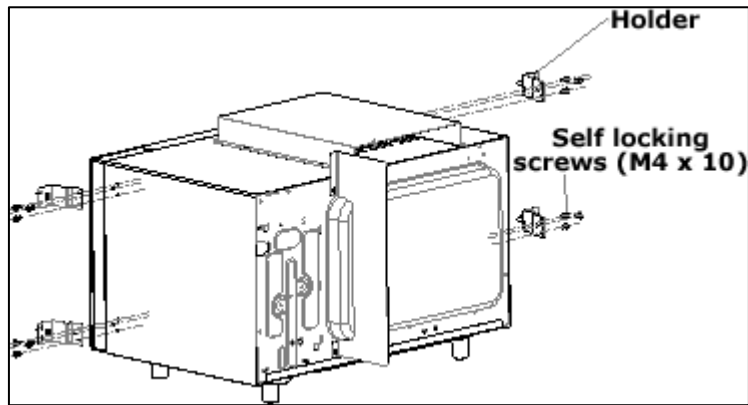


- The diagrams above show the aperture and ventilation requirements that you require to build the appliance into a housing unit.
- Ensure that the rear panel of the furniture housing unit has been removed.
- This oven may be installed without any additional ventilation cut outs being made in the housing unit. However the ventilation cut shown in the diagram **MUST** be present, otherwise the microwave oven may not function correctly.
- Do not cover the ventilation slots or air intake points.

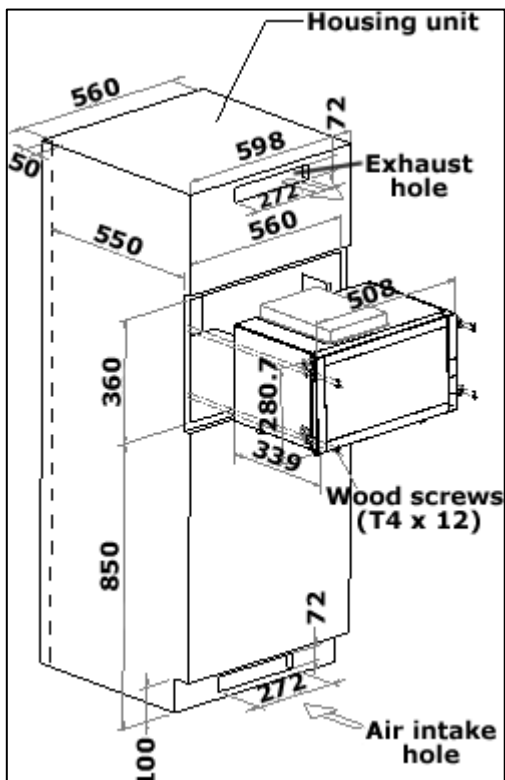
Installing the microwave into the housing unit



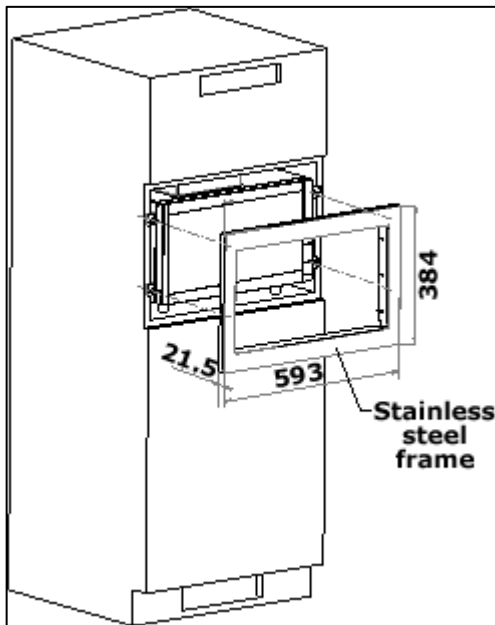
- Secure the top air guide onto the top of the microwave housing (as shown in the diagram opposite).
- Secure the rear outer baffle onto the back of the microwave housing, using the 6 x self locking screws (as shown in the diagram opposite).



- Secure the holders onto each side of the microwave housing, using the 12 x self locking screws (as shown in the diagram opposite).



- Place the microwave into the housing unit and then fix it into position using the 8 x wood screws (as shown in the diagram opposite).



- Secure the stainless steel frame onto the holders on the front of the microwave to complete the installation.

Troubleshooting

- ***The microwave will not switch on.***
 - * Check that the appliance has been connected to the mains supply correctly.
 - * Check that the fuse in the moulded plug has not blown.
 - * Check that the fuses in your fuse box have not blown.
 - * If fuses blow on a regular basis, then we would recommend that you consult with a qualified electrician.
 - * Check that there has not been a power cut.
- ***The microwave will not start cooking.***
 - * Check that the door is properly shut.
 - * Check that the door seal and surrounding area are clean.
- ***The turntable is not turning.***
 - * Check that the rotating base is connected to the drive motor correctly.
 - * Check that the ovenware is not larger than the rotating plate.
 - * Check that the food you are cooking does not extend beyond the rotating plate.
- Check that there is nothing underneath the rotating base that is preventing it from turning.

- ***The microwave does not switch off.***
 - * Isolate the microwave from your mains supply and then contact Think Appliances Customer Care Department.

- ***The interior light bulb is not working.***
 - * Call the Think Appliances Customer Care Department. The interior light bulb can only be replaced by a trained service technician.

- ***My food is not cooking properly.***
 - * Check that the power level and cooking time that you have set, is appropriate for the food that you are cooking.
 - * If you are cooking a double amount of food, then you will normally need to almost double the cooking time.
 - * If the food that you have placed in the cavity is colder than normal, then the power level and cooking time may need to be increased.

- ***I am getting condensation in my oven.***
 - * Steam and condensation are a natural by product of cooking in a microwave.
 - * Do not leave food in the oven to cool after it has been cooked and the oven has been switched off.
 - * Use a covered container, where practical, when cooking to reduce the amount of condensation that forms.
 - * You should wipe over any condensation that has formed, as soon as the food has stopped cooking.

CONDITIONS OF GUARANTEE

Dear Customer,

The conditions of guarantee which apply to your appliance are as follows: This product is guaranteed for 12 months from the date of original purchase. Think Appliances will repair any defect that arises due to faulty manufacturing or workmanship free of charge during this period. Please refer to the warranty card for details.

This guarantee is in addition to and does not diminish your statutory or legal rights.

If you have any further questions please contact Think Appliances Pty Ltd:

SERVICE DEPARTMENT

Phone: 1800 444 357
Fax: 1300 133 279
Email: service@thinkappliances.com

SALES DEPARTMENT

Phone: 1300 132 824
Fax: **1300 660 188**
Web: www.thinkappliances.com

