

80cm 'WMP' Electric Oven

800 WMP



ILVE 800 WMP built ovens are a great member of the ILVE family of built-in appliances. They feature the latest European styling and cooking functions. ILVE have removed all the unnecessary gimmicks and ornaments to create clean, sophisticated styling, matched with ILVE's commitment to quality. Whichever ILVE oven you choose, each is designed to blend in perfectly with all kitchen décors.



Pictured: • 800 WMP Oven
• H70CV/X Cooktop
• CA80 Hood

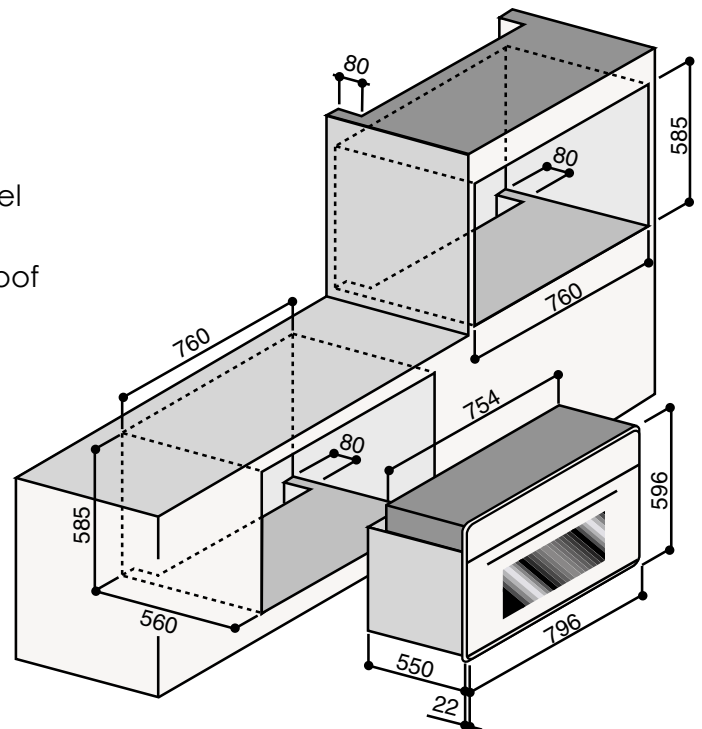
80cm 'WMP' Electric Oven

800 WMP



Model 800 WMP

- Giant 110 Litre oven capacity
- New Turbowave Quickstart preheating function
0°C–180°C in 8 minutes
- Pizza, Bread and Pastry cooking function
- AS304 stainless steel and commercial style control panel and knobs
- Recessed grill element
- Select 11 multifunction electric oven
- Inner door and control panel cooling fan
- Stainless steel fan fat filter
- Rotisserie
- Removable oven door and inner door glass
- Easy dismantling of oven interior
- Easy clean non staining black vitreous enamel oven interior
- Catalytic cook and clean interior including roof
- Turbowave cooking, lower temperatures, less food spatter, moister fresher tasting roasts
- Triple door glazing for safer, cooler door temperatures
- Double spill trays on floor of oven
- Positive stop roll-out internal trays
- Large baking tray
- Colours: Stainless Steel



Built In MAXI Oven 80cm
Model 800 WMP
Total electrical load: 3 kW
Cut out – hole dimension: 760mm x 585mm

Purchase ILVE genuine accessories for this model at the ILVE online store – www.ilve.com.au

NSW & ACT (Head Office)
48-50 Moore Street Leichhardt
T 02 8569 4600 F 02 8569 4699

VIC, TAS & SA
1211 Toorak Road Camberwell
T 03 9809 2122 F 03 9809 2155

QLD
1/42 Cavendish Road Coorparoo
T 07 3397 0900 F 07 3397 0850

WA & NT
Unit 10/55 Howe Street Osborne Park
T 08 9201 9299 F 08 9201 9188

DISCLAIMER

Eurolinx PTY LTD, trading as ILVE Appliances, is continually seeking ways to improve the design specifications, aesthetics and production techniques of its products. As a result alterations to our products and designs take place continually. Whilst every effort is made to produce information and literature that is up to date, this brochure should not be regarded as an infallible guide to the current specifications, nor does it constitute an offer for the sale of any particular product. Product dimensions indicated in our literature is indicative only. Actual product only should be used to define dimension cutouts. Distributors, and retailers are not agents of ILVE Appliances and are not authorized to bind ILVE Appliances by any express or implied undertaking or representation.