

60cm 'WMP' Double Oven

201 WMP



Stylish and innovative ILVE double ovens stand out as the leader. Many ovens produce unreliable cooking results when filled to capacity with food but not ILVE. ILVE ovens are designed and purpose built from the finest materials. ILVE will cook perfectly large quantities of mixed food without flavour loss or the cross over of food flavours thanks to ILVE's exclusive TURBOWAVE cooking system that seals the food, prevents shrinkage and promotes low energy consumption. ILVE Double oven gives the versatility to enjoy cooking and grilling in two ovens at the same time.



Pictured: 201WMP/I Oven

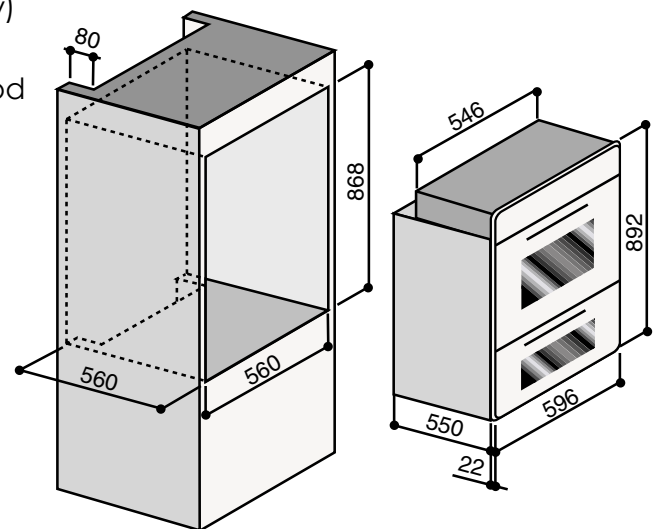
60cm 'WMP' Double Oven

201 WMP



Model 201 WMP

- Select 10 multifunction cooking in both ovens
- Conventional heated oven
- 43 + 70 litre oven capacity
- Easy clean vitreous enamel interior smooth black non staining appearance
- Easy dismantling of oven interior
- Triple door glazing for safer, cooler door temperatures
- Recessed full width grill element with removable self cleaning roof in both ovens
- Cool touch athermic door handles
- Control panel and door cooling fan in both ovens
- Removable oven door and inner door glass in both ovens
- Electronic programmable timer (bottom oven only)
- Catalytic self cleaning system (bottom oven only)
- Stainless steel fan fat filter (bottom oven only)
- Turbowave cooking, lower temperatures, less food spatter, moister fresher tasting roasts
- Pizza and bread mode
- Precision thermostatic control 0°C through to 250°C
- Quickstart fast preheat time 0°C – 175°C in 6 minutes (bottom oven only)



Built In Double Oven
Model 201 WMP
Total electrical load: 4.9 kW
Cut out – hole dimension: 560mm x 868mm

Purchase ILVE genuine accessories for this model at the ILVE online store – www.ilve.com.au

NSW & ACT (Head Office)
48-50 Moore Street Leichhardt
T 02 8569 4600 F 02 8569 4699

VIC, TAS & SA
1211 Toorak Road Camberwell
T 03 9809 2122 F 03 9809 2155

QLD
1/42 Cavendish Road Coorparoo
T 07 3397 0900 F 07 3397 0850

WA & NT
Unit 10/55 Howe Street Osborne Park
T 08 9201 9299 F 08 9201 9188

DISCLAIMER

Eurolinx PTY LTD, trading as ILVE Appliances, is continually seeking ways to improve the design specifications, aesthetics and production techniques of its products. As a result alterations to our products and designs take place continually. Whilst every effort is made to produce information and literature that is up to date, this brochure should not be regarded as an infallible guide to the current specifications, nor does it constitute an offer for the sale of any particular product. Product dimensions indicated in our literature is indicative only. Actual product only should be used to define dimension cutouts. Distributors, and retailers are not agents of ILVE Appliances and are not authorized to bind ILVE Appliances by any express or implied undertaking or representation.