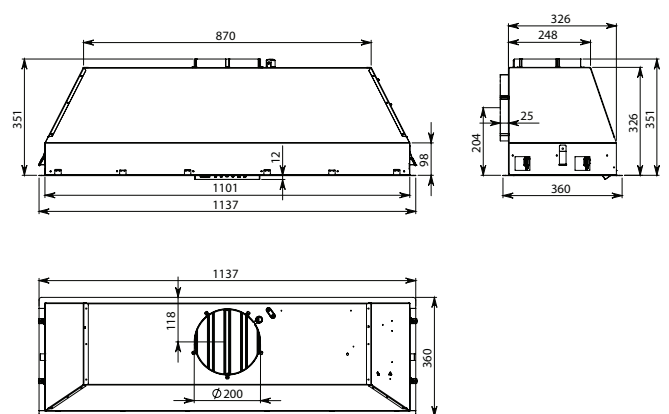




Product Features

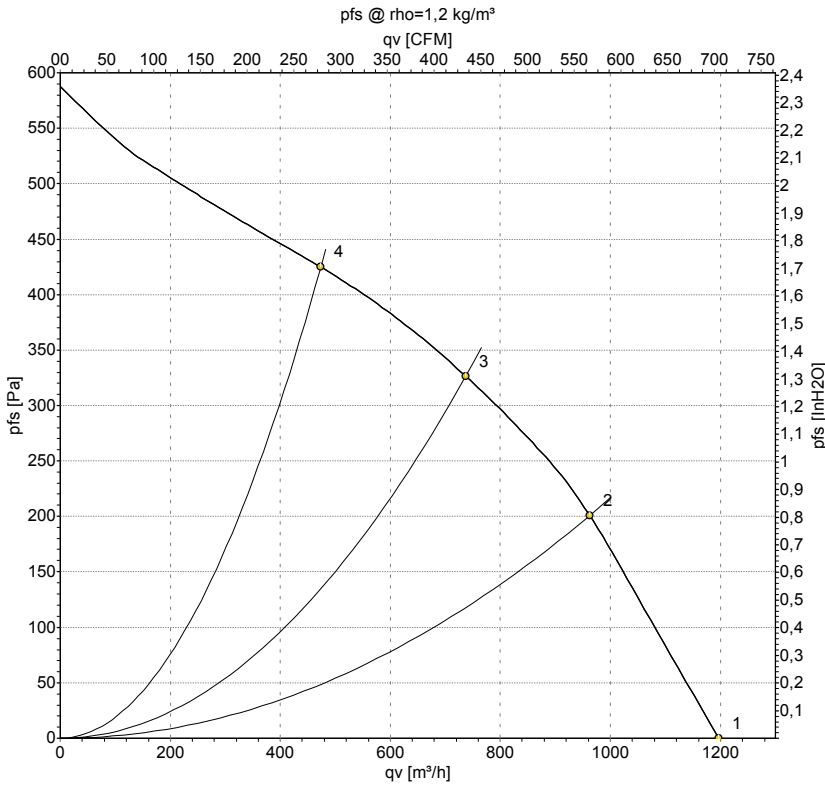
<b>Motor Type</b>	Off Board Motor
<b>Dimensions</b>	1137(W) x 351(H) x 360(D)mm Suits 90cm-130cm Cooking Surfaces
<b>Cut-Out</b>	1110 x 330mm
<b>Filtration Type</b>	3 x Baffle Filters
<b>Lighting Type</b>	Dynamic LED Strip
<b>Finish</b>	304 Stainless Steel
<b>Install</b>	Flush Frame
<b>Controls</b>	Touch Control
<b>Speed Settings</b>	3 Speed + Boost
<b>Timer Function</b>	15 Min Auto Shut-Off
<b>Ducting</b>	200mm Circular Outlet + 6m of Flexible Ducting Supplied
<b>Installation Info</b>	Quick Install Clips
<b>Remote Control</b>	Optional
<b>Grease Filter Alarm</b>	Yes
<b>Dishwasher Safe Filters</b>	Yes

Dimensioned Drawings



Model Code	Motor Output	Motor Solution
FP3MLD12S2-IR1140	1140m <sup>3</sup> /hr	In Roof Motor
FP3MLD12S2-ER1140	1140m <sup>3</sup> /hr	External Roof Motor
FP3MLD12S2-EW1140	1140m <sup>3</sup> /hr	External Wall Motor
FP3MLD12S2-ER2010	2010m <sup>3</sup> /hr	External Roof Motor
FP3MLD12S2-EW2010	2010m <sup>3</sup> /hr	External Wall

## Charts: Air flow 50 Hz



Measurement: LU-154575

Air performance measured as per ISO 5801 Installation category A. For detailed information on the measuring set-up, please contact ebm-papst. Suction-side noise levels: LwA measured as per ISO 13347 / LpA measured with 1m distance to fan axis. The values given are valid under the measuring conditions mentioned above and may vary according to the actual installation situation. With any deviation from the standard set-up, the specific values have to be checked and reviewed with the unit installed.

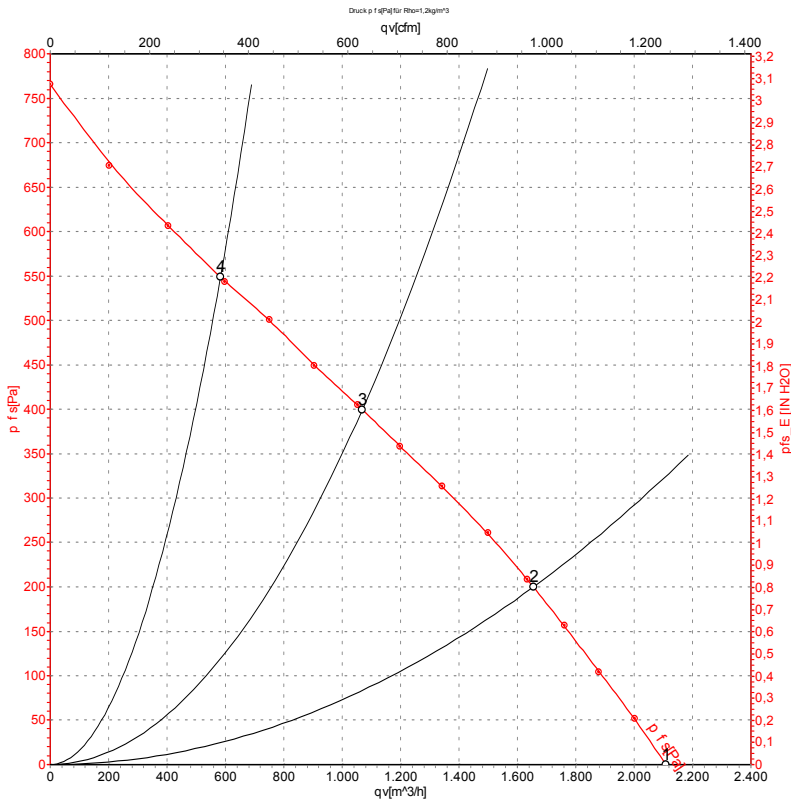
## Measured values

	U	f	n	P <sub>e</sub>	I	qv	p <sub>fs</sub>
	V	Hz	min <sup>-1</sup>	W	A	m³/h	Pa
1	230	50	2660	130	0.57	1195	0
2	230	50	2500	155	0.68	965	200
3	230	50	2560	150	0.65	735	325
4	230	50	2615	139	0.61	475	425

U = Supply voltage · f = Frequency · n = Speed · P<sub>e</sub> = Power input · I = Current draw · LpA<sub>in</sub> = Sound pressure level inlet side · LwA<sub>in</sub> = Sound power level inlet side · qv = Air flow  
 p<sub>s</sub> = Pressure increase



## Curves: Air performance 50 Hz



Measurement: LU-107236-1

Air performance measured according to ISO 5801 installation category A. For detailed information on the measurement setup, contact ebm-papst. Intake sound level: Sound power level according to ISO 13347 / sound pressure level measured at 1 m distance from fan axis. The values given are valid under the specified measuring conditions and may vary due to conditions of installation. For deviations from the standard configuration, the parameters have to be checked on the installed unit.

## Measured values

	U	f	n	P <sub>e</sub>	I	q <sub>V</sub>	p <sub>fs</sub>	q <sub>V</sub>	p <sub>fs</sub>
	V	Hz	min <sup>-1</sup>	W	A	m <sup>3</sup> /h	Pa	cfm	in. wg
1	230	50	2700	225	1.00	2110	0	1240	0.00
2	230	50	2510	289	1.26	1655	200	975	0.80
3	230	50	2365	324	1.42	1070	400	630	1.61
4	230	50	2490	291	1.27	585	550	345	2.21

U = Voltage · f = Frequency · n = Speed (rpm) · P<sub>e</sub> = Power consumption · I = Current draw · q<sub>V</sub> = Air flow · p<sub>fs</sub> = Pressure increase