

KS8990TST3I & KS8990TST6I

90CM CLASSIC SERIES REFRIGERATOR & TRI-MODE, 427L CAPACITY & 134L CAPACITY WITH ICE MAKER



MADE IN ITALY	90CM SIZE	427L CAPACITY	134L CAPACITY	TRIMODE DRAWER
EVENLIFT ADJUSTABLE SHELVES	DUAL MOVEMENT DOOR HINGE (PIVOT STYLE)	FROST FREE	TOUCH CONTROL	SOFT CLOSE DRAWERS
SHOPPING MODE	PROVENT	OPTI-VIEW LED LIGHTS	ANTIBACTERIAL STAINLESS STEEL INTERIOR	FRIDGE / FREEZER
ANTI VIBRATION	ICE MAKER	AVAILABLE WITH LEFT OR RIGHT HINGE	24 MONTH WARRANTY	

AN EXPRESSION OF QUALITY AND THE PINNACLE OF FOOD PRESERVATION

For those who prefer the consistency of an aesthetic line of elegance and individuality, Fhiaba has developed a series of refrigeration models realising exceptional solutions to conceal the Fridge seamlessly within the interior of the kitchen space, without the compromise of comfort, functionality and design excellence.

Fhiaba is the only company in the world today with technology capable of managing **three independent climate zones**, for unrivalled, high-quality food storage. Fhiaba systems also feature **lateral refrigeration**, thereby allowing for maximum use of the full depth of the inner compartments

Exclusive Fhiaba technology makes it possible to combine the four "key variables" of refrigeration, to create and maintain perfectly balanced climates.

- Accurate temperatures**
Thanks to the numerous built-in sensors, the indicated temperature is always accurate.
- Uniform ProVent Ventilation**
The ProVent system uniformly distributes cold air to all parts of the fridge.
- TriPro Refrigeration**
The triple cooling system ensures each ingredient and dish gets the right micro-climate.
- Humidity control**
Our wine cellars offer three different humidity level settings: low, medium and high.



Pictured: KS8990TST3 with left hand hinge

KS8990TST3I & KS8990TST6I

90CM CLASSIC SERIES REFRIGERATOR & TRI-MODE, 427L CAPACITY &

134L CAPACITY WITH ICE MAKER



PRODUCT DETAIL

FEATURES

- Meticulously designed & built to withstand prolonged use
- Our Classic design seamlessly blends into your kitchen
- Total No Frost - 100% automatic system which eliminates the need to defrost the fridge, fresh food and freezer compartments. In addition it enables the temperature to be restored quickly after opening thanks to 'speed freezing'.
- Smart-touch TFT controls manages and monitors the entire fridge operation process is simple to use. Fridge, fresh food compartment and drawer temperatures are shown on the digital display
- Accurate temperatures. Thanks to the built-in thermostat, the temperature is always accurate
- Insulated variable speed compressor maintains precision temperature control with minimal vibration
- ProVent ventilation system encourages uniform distribution of cold air in all fridge compartments by laterally circulating air
- Uniform temperature throughout allowing for better food preservation conditions
- Independent ventilation for each storage compartment, resulting in uniform and precise temperature control, and ensuring optimum food preservation.
- Deep capacity within a standard depth is achieved by a side-mounted evaporator, which leaves greater interior space
- EvenLift™ means shelves can slide up and down to be adjusted to any height in the fridge compartment
- Air purification system
- Two state of the art compressors and three evaporators ensure continuous operation, energy savings and quiet operation (41 db)
- Antimicrobial EverCrisp™ drawers prevent growth of micro-organisms and cross-contamination with bead-blasted stainless steel
- Three independent electronically controlled cooling zones for maximum flexibility
- The patented Trimode drawer can operate in 3 different micro climates: freezer, Fresco and refrigerator.

INTERIOR

- Complete anti-bacterial stainless steel interior including shelves and side panels
- Soft-close doors and drawers in all compartments
- 9 LED lights specifically positioned within the refrigerator ensure even light throughout, regardless of what is in the compartment & 2 LED light points illuminate the TRI-mode compartment
- Three adjustable glass Rack-and-Pinion Scrolling tempered glass shelves and one stationary base shelf.
- Shelves have aluminium profiles
- Two crisper drawers for multi-use preservation solutions. Low temperature with antibacterial stainless steel interiors & rounded corners promoting hygiene and easy cleaning
- Three adjustable door shelves
- Full extraction drawers with soft closing runners
- Ice maker with container & scoop

TEMPERATURE

- One independent climatic zone +2 / + 8°C & low temp zone in the internal drawers
- TRI-mode adjustable temperature from -22°C + 8°C

DOOR

- Dual-movement patented hinge, with self-balancing movement ensures stability and resistance
- Pivoting door hinge system to be built-in
- Door open alarm
- Door opening angle: 105°

NOISE

- Noise level - 41db

CAPACITY

- Refrigerator Use-able Storage Capacity:427L
- Tri-mode compartment (fridge / fresco / freezer): 134L

TECHNICAL

- Uniform 2050mm height across all Classic models
- Energy consumption: 530kw/yr
- Net Weight: 245kg
- Power lead length: 2m
- Front and rear adjustable feet up to 25mm height

ACCESSORIES

- KCCIT Joining kit - central (Joining brackets, airflow separation included)
- KITNRG899749 - Transformer for network integration with alternative energy

FOLLOW US ON:



/fhiaba_refrigerationau/

fhiaba.com.au

P: 1300 694 583

Eurolinx Showrooms are open Tuesday - Friday 9am - 5pm, Saturday - 10am - 4pm, Sunday and Monday - closed*

***Perth: Tuesday - Friday 10am - 4pm, Saturday, Sunday and Monday - closed**

NEW SOUTH WALES (Head Office)

48-50 Moore Street
Leichhardt

VICTORIA

1211 Toorak Road
Camberwell

QUEENSLAND

1/42 Cavendish Road
Coorparoo

WESTERN AUSTRALIA

Unit 10/55 Howe Street
Osborne Park

Page 2/4
30042020

DISCLAIMER

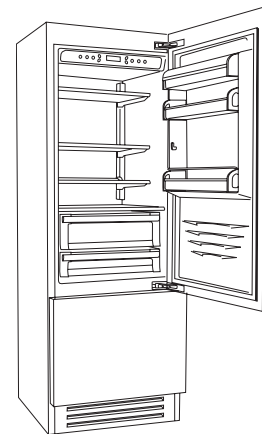
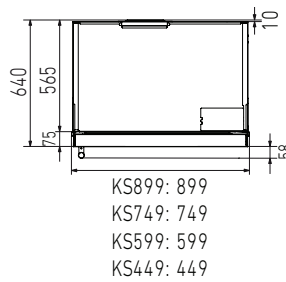
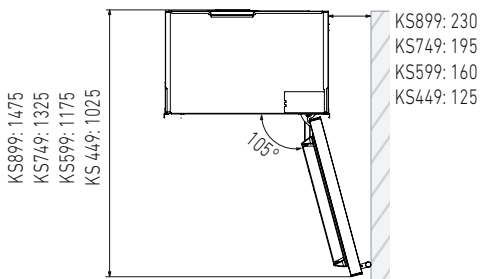
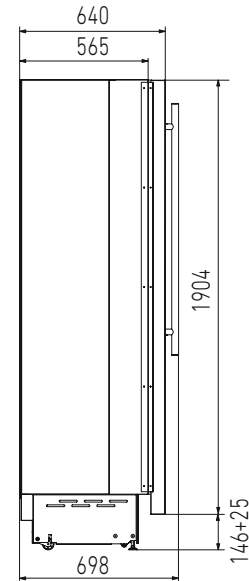
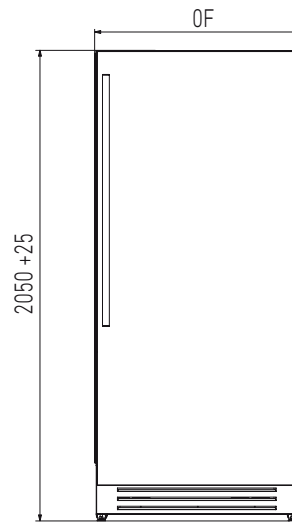
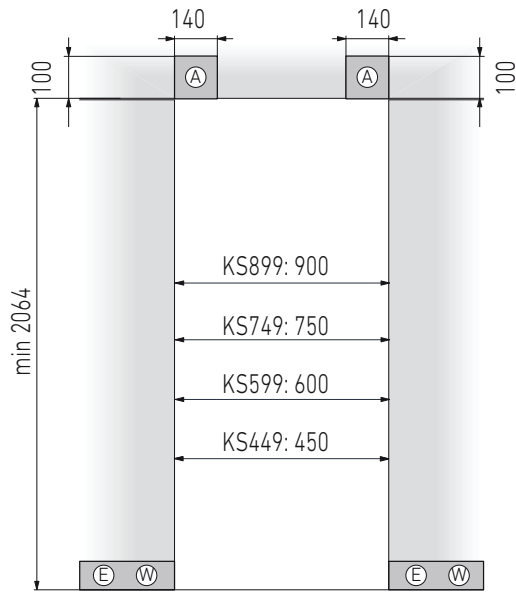
Eurolinx PTY LTD, is continually seeking ways to improve the design specifications, aesthetics and production techniques of its products. As a result alterations to our products and designs take place continually. Whilst every effort is made to produce information and literature that is up to date, this brochure should not be regarded as an infallible guide to the current specifications, nor does it constitute an offer for the sale of any particular product. Product dimensions indicated in our literature is indicative only. Actual product only should be used to define dimension cut outs. Distributors, and retailers are not agents of Fhiaba and are not authorised to bind Fhiaba by any express or implied undertaking or representation.

KS8990TST3I & KS8990TST6I

90CM CLASSIC SERIES REFRIGERATOR & TRI-MODE, 427L CAPACITY & 134L CAPACITY WITH ICE MAKER



PRODUCT SPECIFICATIONS AND DIMENSIONS



For installation specifications, please consult with Fhiaba. For optimum installation, we recommend using the actual product as the best guide.

FOLLOW US ON:

/fhiaba_refrigerationau/

fhiaba.com.au

P: 1300 694 583

Eurolinx Showrooms are open Tuesday - Friday 9am - 5pm, Saturday - 10am - 4pm, Sunday and Monday - closed*

***Perth: Tuesday - Friday 10am - 4pm, Saturday, Sunday and Monday - closed**

**NEW SOUTH WALES
(Head Office)**

48-50 Moore Street
Leichhardt

VICTORIA

1211 Toorak Road
Camberwell

QUEENSLAND

1/42 Cavendish Road
Coorparoo

WESTERN AUSTRALIA

Unit 10/55 Howe Street
Osborne Park

Page 3/4
30042020

DISCLAIMER

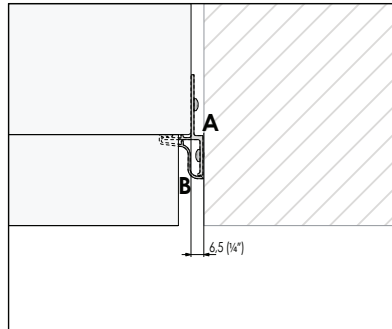
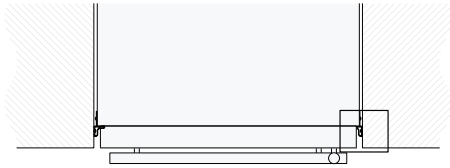
Eurolinx PTY LTD, is continually seeking ways to improve the design specifications, aesthetics and production techniques of its products. As a result alterations to our products and designs take place continually. Whilst every effort is made to produce information and literature that is up to date, this brochure should not be regarded as an infallible guide to the current specifications, nor does it constitute an offer for the sale of any particular product. Product dimensions indicated in our literature is indicative only. Actual product only should be used to define dimension cut outs. Distributors, and retailers are not agents of Fhiaba and are not authorised to bind Fhiaba by any express or implied undertaking or representation.

KS8990TST3I & KS8990TST6I

90CM CLASSIC SERIES REFRIGERATOR & TRI-MODE, 427L CAPACITY & 134L CAPACITY WITH ICE MAKER
INSTALLATION INFORMATION

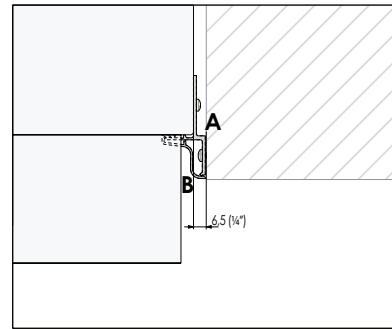


Flush installation



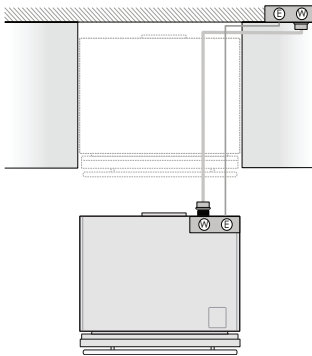
The Lateral Connection Kit (KCLIT/KCLIH/KCLMT/KCLMH) is supplied on all models (except in the unit with stainless steel sides) and consists of a connection element (A) and a aluminium frame (B).

Prominent installation

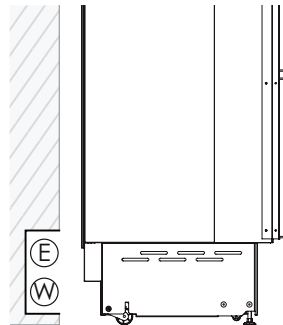



The Lateral Connection Kit (KCLIT/KCLIH/KCLMT/KCLMH) is supplied on all models (except in the unit with stainless steel sides) and consists of a connection element (A) and a aluminium frame (B).

Electrical and Water connection



Electrical and Water connection behind the unit



 For installation specifications, please consult with Fhiaba. For optimum installation, we recommend using the actual product as the best guide.

FOLLOW US ON:

 /fhiaba_refrigerationau/

fhiaba.com.au

P: 1300 694 583

Eurolinx Showrooms are open Tuesday - Friday 9am - 5pm, Saturday - 10am - 4pm, Sunday and Monday - closed*

***Perth: Tuesday - Friday 10am - 4pm, Saturday, Sunday and Monday - closed**

**NEW SOUTH WALES
 (Head Office)**

48-50 Moore Street
 Leichhardt

VICTORIA

1211 Toorak Road
 Camberwell

QUEENSLAND

1/42 Cavendish Road
 Coorparoo

WESTERN AUSTRALIA

Unit 10/55 Howe Street
 Osborne Park

Page 4/4
 30042020

DISCLAIMER

Eurolinx PTY LTD, is continually seeking ways to improve the design specifications, aesthetics and production techniques of its products. As a result alterations to our products and designs take place continually. Whilst every effort is made to produce information and literature that is up to date, this brochure should not be regarded as an infallible guide to the current specifications, nor does it constitute an offer for the sale of any particular product. Product dimensions indicated in our literature is indicative only. Actual product only should be used to define dimension cut outs. Distributors, and retailers are not agents of Fhiaba and are not authorised to bind Fhiaba by any express or implied undertaking or representation.