

CIR575XS5

Smeg 70cm gas cooktop with flame failure



### 60cm INSTALLATION

Despite occupying nearly 70cm bench space, the installed specification into the bench is only 56cm. This allows easy fitment into predesigned standard 60cm cabinetry and is suitable for much of the replacement gas cooktop market.

### DUAL FLAME CONTROL

With individual control to each ring of flame, the ultra-rapid double burner cooking zone can selectively be used as another rapid burner with the larger outer flame (11.5mj/hr maximum) or, for the ultimate low simmer, use the inner flame ring exclusively (3.5mj/hr maximum). This exclusive centre burner is also perfect for the smallest of utensils, such as a one-cup espresso maker.

### AUXILIARY BURNER

Also ideally situated, this small multipurpose burner is designed to accommodate even the smallest of utensils, such as a coffee percolator or one-cup espresso maker.

### SIMMER CONTROL

All burners, including the ultra-rapid triple burner, can be adjusted down to a very low, safe flame for the gentlest of low heat simmers.

### ELECTRONIC IGNITION

The cooktop is connected with a power cord of 1.3 metre length to be plugged into a GPO located according to installation needs below the benchline. This supplies a continuous stored charge to spark the gas supply to the individual burner of your choice. Simply depress and turn the control of the desired cooking zone for flame ignition.

### LOW MAINTENANCE

The seamless hob design allows for easy wipe-over cleaning and generous catchment of spills and accidental boilovers. The control knobs, also, are

removable for cleaning access. Trivets, burner assemblies and wok stand can be washed in warm soapy water.

### INSTALLATION

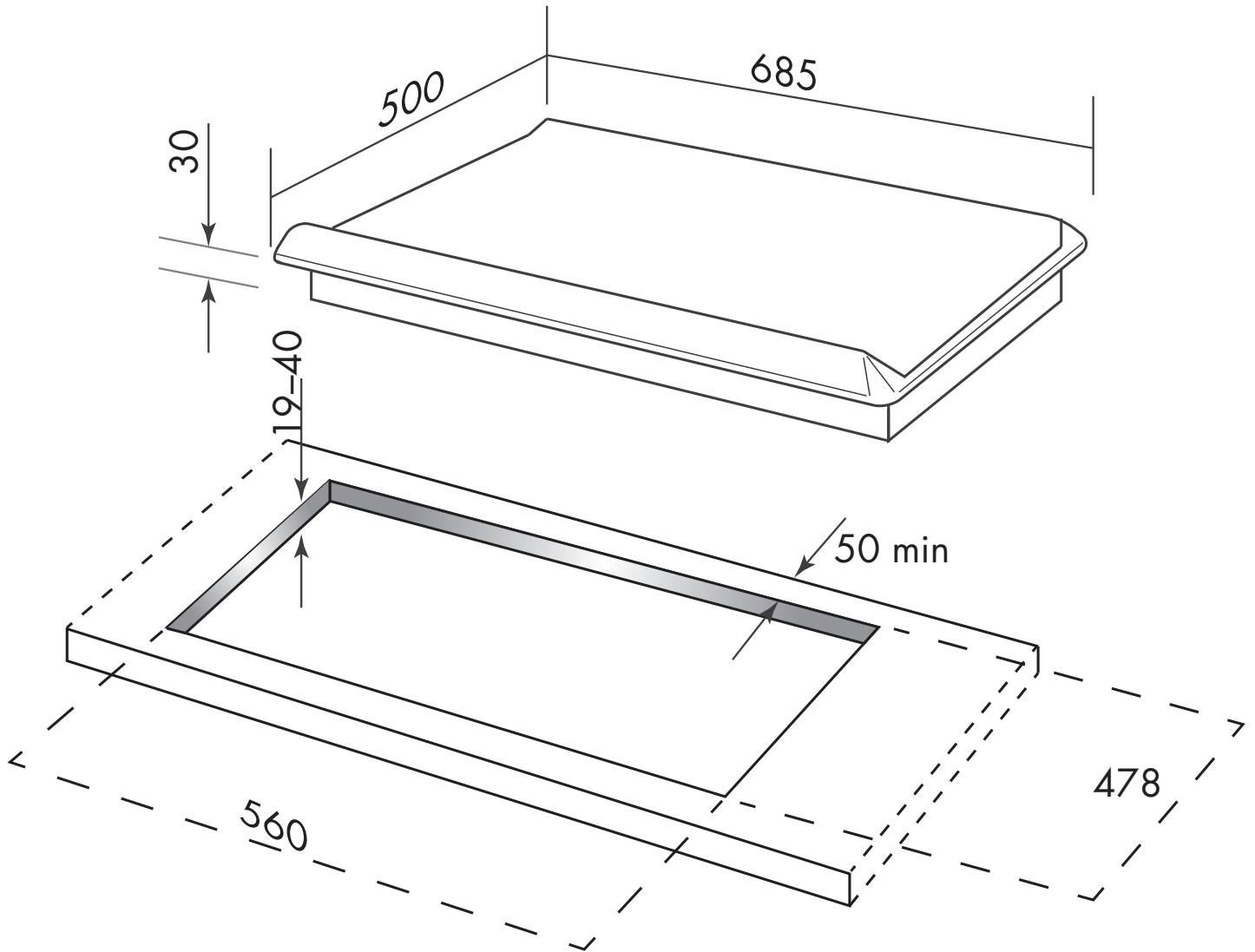
With only a 32mm displacement into the benchtop, the cooktop allows for easy installation underbench of either oven, dishwasher, cupboards or drawers.

**EAN** 8017709114831

Finish	satin stainless steel, cast-iron trivets
Size	685mmW x 60mmH x 500mmD
Cutout size	560mmW x 478mmD
Installation	topmount
Capacity	Wok, dual control burner – 11.5/3.5mj/hr Rapid burner – 11.5mj/hr Semi-rapid burner – 5.9mj/hr Auxiliary burners – 4.8mj/hr
Ignition	automatic electronic
Gas connection	set for natural gas: regulator supplied adaptable for ULPG: no regulator required
Power	220-240 V 50/60Hz 10A
Safety	Flame failure device (FFD) fitted to each burner
Features	Two cast-iron, heavy-duty trivets for full hob cover, wok stand
Accessories	None
Option	None
Warranty	Two years parts and labour

CIR575XS5

Smeg 70cm gas cooktop with flame failure



**PLEASE NOTE: drawings are not to scale. They are to assist only.**