



8 Bottle Single Zone Thermoelectric Wine Cooler

OWNERS MANUAL

LCT8SB

LITTLE CAVE

by GRAND CRU®

www.grandcruwinefridges.com.au

NEED HELP?  CALL 1300 935 683



LITTLE CAVE

by GRAND CRU®

WINE COOLER

OWNERS MANUAL

LCT8SB

DEVICE: 8 BOTTLE SINGLE ZONE THERMOELECTRIC

POWER: 220-240V

FREQUENCY: 50/60HZ

INPUT: 70W

EXTERNAL MEASUREMENTS: 260MM WIDE; 475MM HIGH; 495MM DEEP

RANGE: 8°C-18°C

VOLUME: 25L

WEIGHT: 9.8KG

CONTENTS

INSTALLATION & OPERATION 4

SAFETY INFORMATION 4

WARNING 4

OPERATION 5

PRECAUTIONS..... 5

WINE COOLER 6


CONTROL PANEL 6

DISPOSAL 7

MAINTENANCE 7

TROUBLESHOOTING 8

WARRANTY, SERVICE & SUPPORT..... 9

 This manual contains important information including safety and installation instructions of the appliances. Please read it carefully before use and follow all safety information and instructions. It is recommended to keep this manual for easy reference so that you can be familiar with the operation of the appliance.

NEED HELP?  **CALL 1300 935 683**

INSTALLATION & OPERATION

YOUR SAFETY AND THE SAFETY OF OTHERS IS VERY IMPORTANT



Before the appliance is used, it must be properly positioned and installed as described in this manual, so read the manual carefully. To reduce the risk of fire, electrical shock or injury when using the appliance, follow basic precaution, in this instruction guide.

If the dangerous situation is not avoided, this can lead to serious injuries. Observe the instructions in this warning notice in order to avoid the personal injuries.

SAFETY INFORMATION

- After removing the wine cooler from the package, make sure it is in good condition. In case of doubt, do not use it and contact an authorized service center.
- Plastic bags, nails, etc. Should be kept out of the reach the operation manual carefully and check that the rating data on the rating nameplate corresponds to your power supply.
- This wine cooler can only be used in the use of which it was designed. The manufacturer will not respond for any damage due to improper use or repairs made by unqualified personnel.
- Before cleaning the wine cooler, make sure it is unplugged. Never clean the unit with an acid preparation, medical, dilution, gasoline, oil or any other kind of chemical substance that could damage the refrigerator.
- Repair should only be made by authorized service centers.

WARNING

- If the supply cord is damaged, it must be replaced by the manufacturer or service agent or similarly qualified person in order to avoid hazard.
- Please screw off the door before throwing it away.
- Please keep the appliance away from any flammable substances.
- To avoid a hazard due to the instability of the appliance, it must be fixed according to the instructions.
- Do not use electrical appliances inside the food storage compartments of the appliance.
- This appliance is not intended for use by persons (including children) with reduced physical,
- Children should be supervised to ensure that they do not play with the appliance.
- This appliance is not intended for use by persons (including children) with reduced physical, sensory or mental capabilities, or lack of experience

DO NOT TURN ON FOR AT LEAST 24 HOURS AFTER DELIVERY



Let the appliance stand upright for approximately 24 hours before connecting it to the power source, which helps to reduce the possibility of a cooling-system malfunction from handling during transportation.

and knowledge, unless they have been given supervision or instruction concerning use of the appliance by a person responsible for their safety.

- Keep ventilation openings, in the appliance enclosure or in the built-in structure, clear of obstruction.



CAUTION:
To reduce the risk of fire,
replace only with same type fuse.
Free standing installation only.
Do not use extension cords.

OPERATION

- Clean the inside before use.
- Fix the shelves properly according to the instruction.
- When first time use (or haven't used it for a long time), you should adjust the temperature to minimum and have the cabinet empty running for 2 hours, and then put your wine in it and adjust the desired temperature.
- When the power is connected, cooling system starts to work. The TEMP-ADJ button is set on certain position, which means that if the temperature in the wine cooler reaches the point set, Self-Control Temperature System stops

cooling system so the temperature in the cabinet rises gradually.

- When the inside temperature rises above the set point, Cooling Self-control Temperature starts to work again, the cooler enter into cooling circles.
- When you want to change the temperature in the cabinet, You can push "Temp +" and "Temp -" to increase and decrease the temperature.
- You can push the "C/F" button to switch between Celsius and Fahrenheit or push the "Lamp" button to control the light inside.



Note: Max Temp. Reduction:
16 °C below ambient

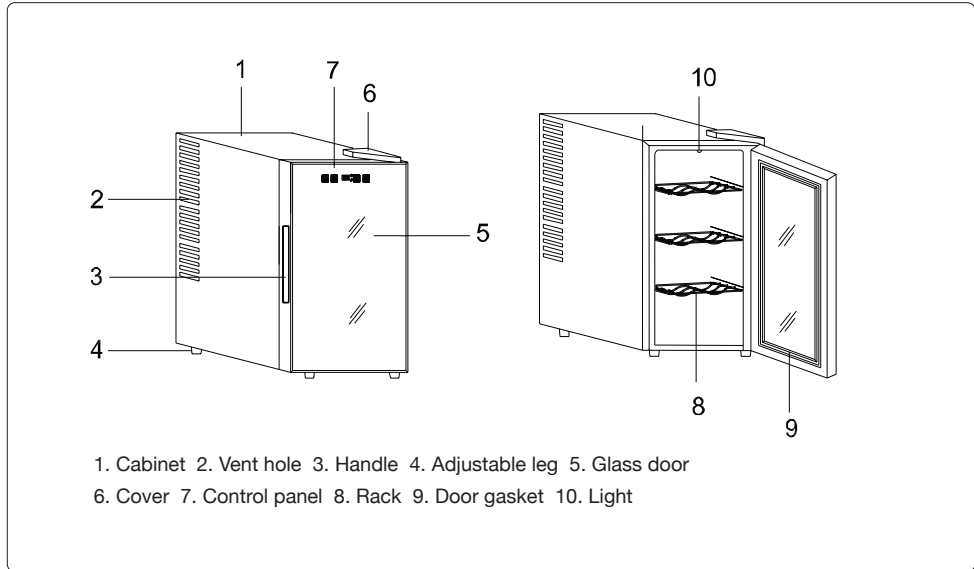
After you setting the temperature, the LED display will return to show the temperature in the cooler.

PRECAUTIONS

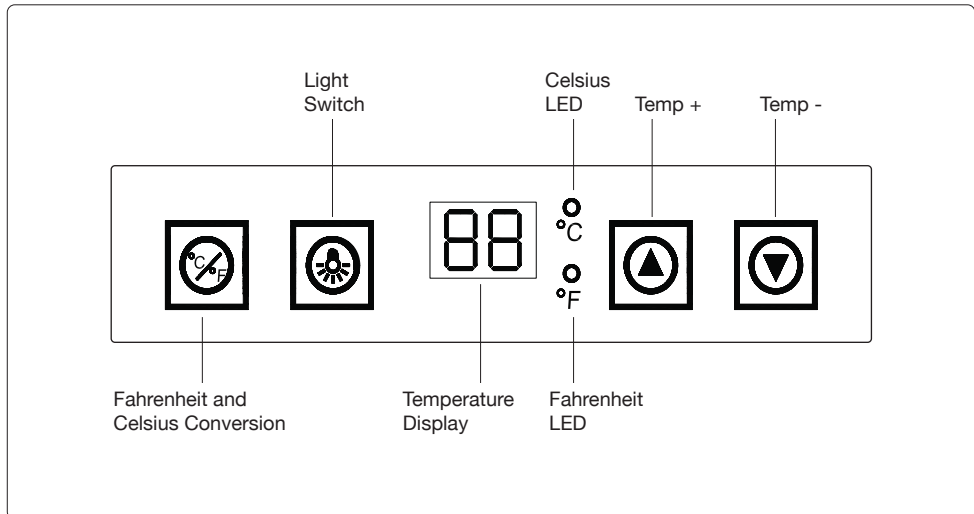
- Please unplug the wine cooler before moving.
- If there is a long distance to move, please use a cart for delivery
- Please check if all the parts are ready before installation.
- In order to function at its potential, this wine cooler needs to be placed

LITTLECAVE by GRAND CRU

WINE COOLER



CONTROL PANEL



LITTLECAVE by GRAND CRU

on flat floor, with 5cm spaces at each side and 10cm at the backside.

- The height of the wine cooler is adjustable by adjusting the four legs, but cannot be over 20mm of each.
- Keep ventilation holes clear, and keep at a distance of 50mm from surroundings.
- Please keep away from the heat resources or gas.
- Avoid direct sunshine and carry high temperature.
- Do not place heavy articles on the top of the cooler.

DISPOSAL



Do not dispose this product as unsorted municipal waste. Collection of such waste separately for special treatment is necessary.

- It is prohibited to dispose of this appliance in domestic household waste.
- For disposal there are several possibilities:
 - The municipality has established collection systems, where electronic waste can be disposed of at least free of charge to the user.
 - The disposal of your old appliance must follow the legal guide lines of the country where the appliance has been disposed.
 - As old product contains valuable resources, they can be sold to scrap metal dealers.
- Wild disposal of waste in forests and landscapes endangers your health when hazardous substances leak into the ground-water and find their way into the food chain.

MAINTENANCE

- Shut off power supply before cleaning cabinet.
- Take out wines and shelves, and then clean the cabinet with clean water.
- Do not use soap or detergent for the cabinet.
- Clean the cooler regularly.

TROUBLESHOOTING

If you feel the appliance is out of order, follow these instructions to try to see if you can solve the problem simply by yourself before calling for service.

Symptoms	Possible Cause	Solutions
No cooling	<ul style="list-style-type: none">• Plug not put in• Low voltage• Fuse broken	<ul style="list-style-type: none">• Put in the plug• Ensure normal voltage• Change fuse
Not cold enough temperature inside	<ul style="list-style-type: none">• The wine cooler is near heat source• Poor ventilation• Fans don't work	<ul style="list-style-type: none">• Keep the wine cooler away from sunshine or other heat source• Place the wine cooler on the place with good ventilation and Keep things away from the fans• Check whether the plug is connected or change the fan
Moisture build on inter or exterior wine cooler	<ul style="list-style-type: none">• High humidity• Gap between cabinet and door gasket• Prolonged or frequent door openings	<ul style="list-style-type: none">• Please use a soft and dry cloth to clean the dew• Ensure door gaskets for proper seal• Reduce time and frequency when door is open

WARRANTY, SERVICE & SUPPORT

Thank you for purchasing a Little Cave Wine Cooler from Home Icon International Pty Ltd. Home Icon provides a 1-year warranty on the Little Cave range.

WARRANTY REGISTRATION

Register your wine cooler now for warranty, and allow us to provide you with the best possible after sales service:

1. Please log on to our website at www.grandcruwinefridges.com.au
2. Click on the '**Support**' tab across the top
3. Select '**Warranty Registration**' and fill out the details as required

This warranty does not cover the following:

- Any damages caused from improper use or not used in accordance with the instruction manuals.
- Damage caused by connecting your product to the wrong power source/supply.
- Incorrect installation or modifications made during installation or use of the product.
- Removing screws or otherwise opening the outer case will void the warranty.
- Any damages resulting from poor handling or moving of the product, misuse, fire or water damage etc.
- Failure to maintain the product as per the Instruction Manual.
- Problems caused by incorrect or inadequate venting of the product.

SERVICE AND SUPPORT

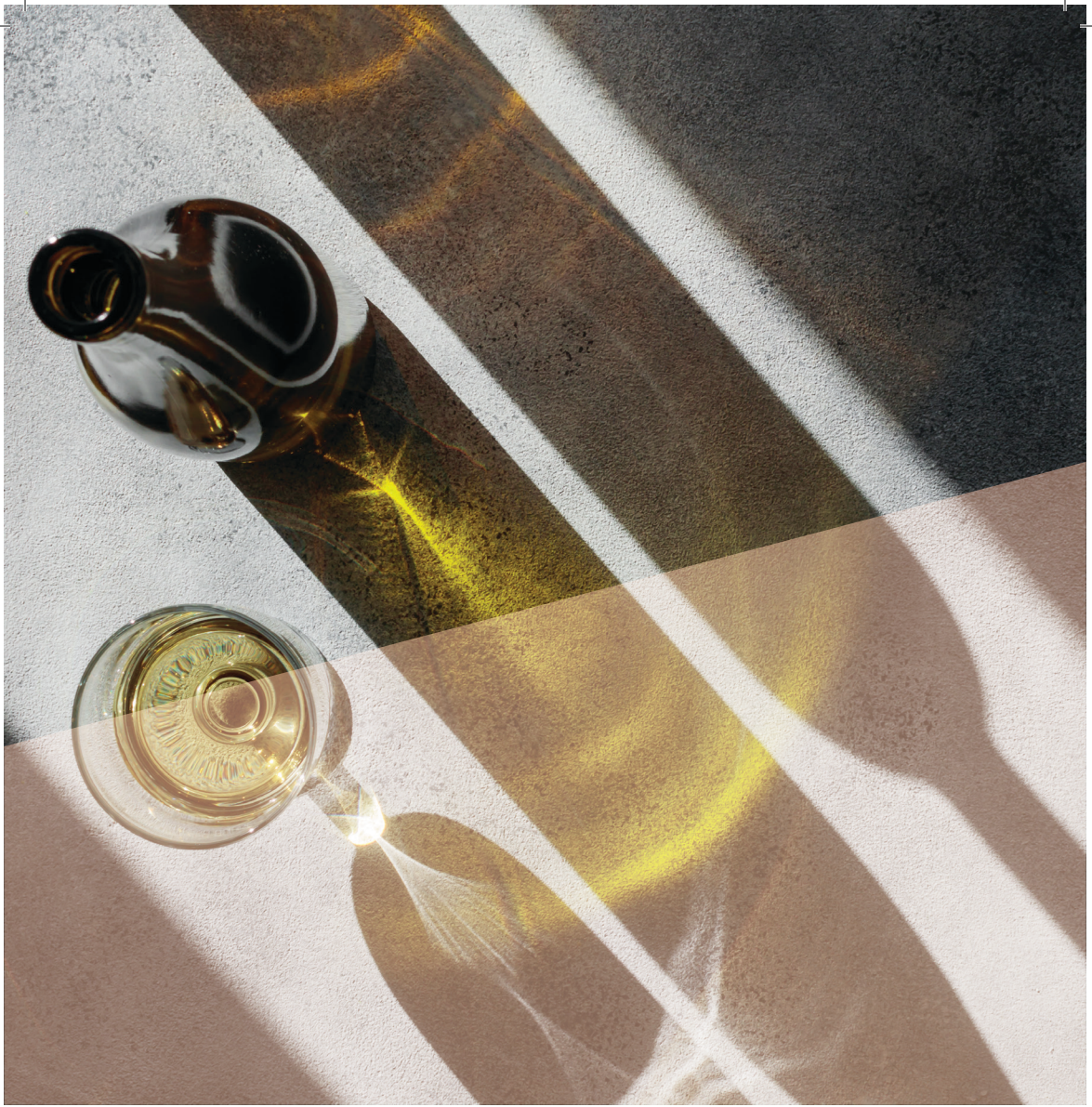
Should an instance arrive where you require assistance, contact our support team:

1. Please log on to our website at www.grandcruwinefridges.com.au
2. Click on the '**Support**' tab across the top
3. Select the '**Request a Service**' option and fill out the details as required

NEED HELP?  CALL 1300 935 683

LITTLECAVE by **GRAND CRU**





LITTLE CAVE

by GRAND CRU®

www.grandcruwinefridges.com.au

NEED HELP?  CALL 1300 935 683