

Omega Dishwashers

ODW300X

Omega 45cm compact freestanding dishwasher with 10 place settings, electronic controls and stainless steel finish.



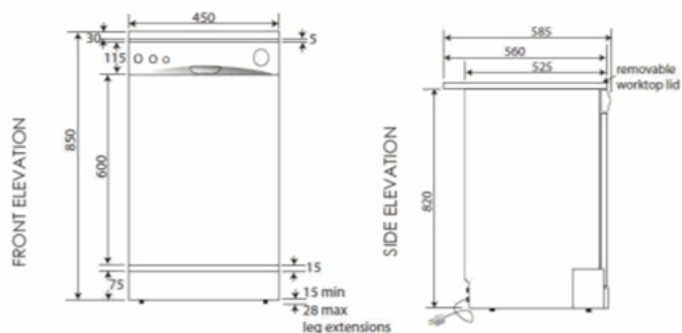
Technical details

Installation type:	Freestanding with a removable worktop
Place settings:	10
Wash programs:	Intensive Heavy Normal Rinse Rapid
Water rating:	3 stars
Energy rating:	3 stars
Wash temperatures (°C):	4 - 40, 45, 50 and 60
Maximum water temperature (°C):	60°C
Floating plug:	Yes
Lockable controls:	No
Delayed start:	24 hours
DualZone:	No
Aquastop safety hose:	No

Flexible top basket:	Yes
Cutlery tray:	Yes
Plate sizes allowed:	Up to 30cm
Residual heat drying:	Yes
Maximum current:	10amps
Connection:	240V, 50Hz
Water connection:	Cold water recommended
Length of hose:	1.5m
Water pressure:	40 - 1000kpa
Noise:	49dBA
Warranty:	24 months parts and labour

Aesthetics

Finish:	Silver control panel with a stainless steel door
Controls:	Electronic push buttons



CUTLERY TRAY



FLEXI-BASKET

Dimensions/weight

Overall dimensions (mm):	850h x 450w x 585d
Weight:	43kg

Key features	Benefits
Flexible top basket	Click the side levers of your top basket to lower it to accommodate tall glasses, or raise to the higher position for maximum room in the bottom section.
45cm in size	Narrow design for those who do light loads or have limited space available in their kitchen.
Stainless steel finish	Stainless steel appliances are easy to clean, more durable and have increased longevity.

NB: Drawings are not to scale - they are to assist only. WARNING: technical specifications and product sizes can be varied by the manufacturer without notice. Cut-outs for appliances should only be by physical product measurements. The above information is indicative only.