



## Dishwasher

DFI564D.AU

Logic

Series 5

Noise level (max): 42 dB(A)

Number of place settings: 16 pcs

Number of baskets: 3

Size: XL, 820mm

Turbo Combi Drying

Installation: Fully integrated

Energy stars: 4.5

### Construction and performance

- 8 Steel™ - Vital parts of the dishwasher made in stainless steel: Yes
- No need to rinse the dishes thanks to Super Cleaning System™: Yes
- Automatic water-softener for better washing performance: No
- Number of spray arms: 3 pcs
- Number of spray zones: 9
- Cleaning systems: Adjustable power zones that can be set for cleaning Pots & Pans or Bottles & Vases. Can also be turned off., Stainless steel spray arms, Aqua Level™ Sensor, No need to rinse the dishes thanks to Super Cleaning System™

### Use and flexibility

- Number of place settings: 16 pcs
- Number of baskets: 3
- Top tray: Easy height adjustment, Handle, Removable
- Upper basket type: Premium - Basket wiring in steel, fixed pin rows and foldable wine shelves
- Upper basket system: Switch wheels
- Upper basket: Standard knife stand, Fixed glass support, Fixed pin rows, Foldable wine shelves to right, Foldable wine shelves to left, Handle with plastic logotype, Small distance between the basket threads - makes loading easy and prevents small items to fall through
- Middle basket: Without middle basket
- Lower basket type: Premium - Basket wiring in steel, fixed pin rows
- Automatic dosing system: No
- Interior light: No

### Interaction and control

- Wifi: No
- Type of display: LCD display
- Status Light™ - Visual indication of dishwashing progress: Yes
- Remaining time indication: Yes
- Wash end indication: Displayed with sound and light
- Language settings: Chinese simplified, Chinese traditional, Swedish, Slovenian, Slovak, Russian, Portuguese, Polish, Norwegian, Dutch, Latvian, Lithuanian, Japanese, Italian, Croatian, French, Finnish, Spanish, English, German, Danish, Czech

### Functions, programs and modes

- Programs: Anti odour, Self cleaning, Rinse and hold programme, Heavy wash, Time program, Hygiene wash, ECO wash, Intensive program, Quick wash
- Main wash temperature (°C): 50/60/65/70
- Delayed start: Possible to delay up to 24 hours
- Options and modes: Night mode - Lower noise level. The program time is extended., Speed mode - The program time is shortened. More energy is used., Time set, Super Rinse™ - Two extra rinses, Enable/disable automatic door opening

### Design and integration

- From the front adjustable door spring: Yes
- From front adjustable rear foot: Yes

- Installation: Velcro strips for easy mounting and adjustment of the separate custom door, Integrated anti-siphon - Prevents spontaneous in- and outlet of water and simplifies elevated installation, Steam protection strip
- Sliding door: No
- Possible to install elevated: Yes
- Custom door size: Custom door size 680-760
- Min. niche width: 600 mm
- Min. niche height: 820 mm
- Depth (incl. wall spacing): 555 mm
- Max Height adjustment: 53 mm
- Adjustable kick plate: No

#### **Safety and maintenance**

- Aqua Safe™: Anti Block™ - Self cleaning drain pump, Light and sound alarm, Maximum time for water intake, Extra durable PEX inlet hose, Stand-by water protection - Leakage detection when machine is off, Aqua Level™ Sensor - Ensures an optimized water level, Aqua Detect™ - Instant recognition of any leakage in the motor compartment, Detection of water leakage on the bottom plate, Waterproof bottom plate, Extra durable stainless steel container, Sealing points outside container
- Aqua Safe™ system: Yes
- Child safety: Kid Safe™ - Lockable controls
- Indication of low level of rinse-aid: Notification in display

#### **Technical data**

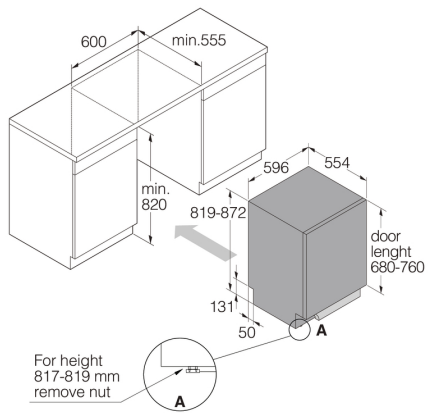
- Water connection: Size 3/4" - Can only be connected to cold water
- Adapter for water connection: No
- Max. temperature of inflow water: 70 °C
- Noise level (max): 42 dB(A)
- Reference programme: 1
- Duration of standard programme: 178 min
- Estimated yearly energy consumption: 216 kWh
- Energy consumption - normal program: 0.571 kWh
- Energy stars: 4.5
- Water stars: 6
- Water consumption: 10.6 l
- Power consumption in standby mode: 0.77 W
- Plug type: AU plug
- Connected load: 2000 W
- Voltage (V): 220-240 V
- Number of phases: 1
- Fuse: 10 A
- Frequency: 50 Hz
- Required inlet water pressure MPa: 0,03-1
- Net weight: 39 kg

#### **Dimensions**

- Width: 596 mm
- Height: 819 mm
- Depth: 554 mm
- Maximum product height: 872 mm
- Length of electrical cord: 1730 mm
- Depth with door open: 1191 mm
- Length inlet hose: 163 cm
- Length outlet hose: 200 cm

#### **Logistic information**

- Packaging width: 640 mm
- Packaging height: 890 mm
- Packaging depth: 680 mm
- Gross weight: 42 kg
- Product code: 740004
- EAN code: 3838782622854



Fully integrated dishwasher XL

