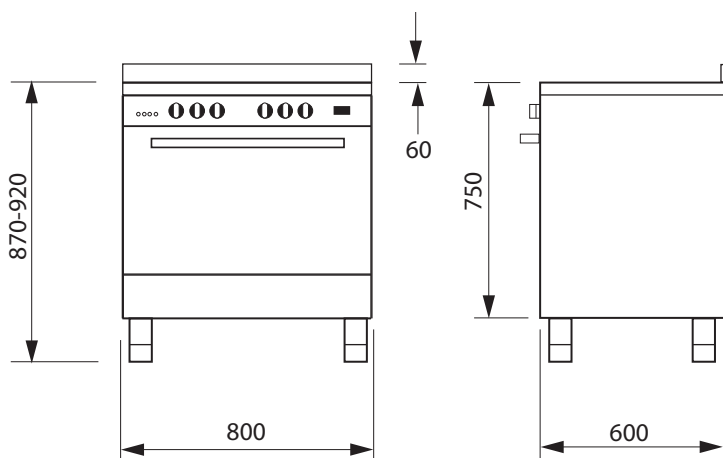


# ROMAGNA EMILIA

80cm Dual Fuel cooker model DI865EI3



## Functions and features

Stainless steel adjustable legs  
Multi Function Electric oven  
5 burner gas cooktop  
Cast iron trivets  
116 litre oven - 102 usable litres  
Oven internal dim = 670Wx370Hx410D  
Electronic ignition  
Digital clock (3 button)  
Warming/storage compartment  
Automatic Cooling fan - NEW IMPROVED  
Titanium easy clean enamel - NEW  
Click & slide inner door glass - NEW

### Included:

2 wire racks  
Grill tray with rack  
LPG Conversion kit  
Full metal door handle & double glass door  
Removable oven side racks  
No clearance required to cupboards - NEW  
2 YEAR WARRANTY  
Made in Italy

### Oven functions:

Fan forced  
Classic Bake - top and bottom heat  
Fan assisted - top and bottom with fan  
Static grill  
Fan assisted grill  
Light

### Megajoule ratings Natural Gas (LPG):

Wok burner 14.5 Mj/h (11.5)  
Long burner 11.5 Mj/h (10.0)  
2x Medium burner 7.0 Mj/h (6.0)  
Small burner 4.0 Mj/h (3.5)  
Oven burner 14.5 Mj/h (12.5)  
Total gas consumption 54.0 Mj/h (38.5)

Suitable for flexible hose gas connection  
Maximum electrical consumption 2515W  
15 amp electrical connection

## NEW MODEL

Please note:

Every effort has been made to ensure this information is correct. However, due to product improvement Emilia Glem reserves the right to make changes to products without prior notice.