

Important Instructions

Important safety instructions
Children safety

Technical requirements

Appliance features and installation requirements
Installation niche features: Integrated
Installation niche features: Classic
Installation niche features: StandPlus
Installation niche features: X-Pro
Installation niche features: Country
Installation niche features: Brilliance-Integrated
Installation niche features: Brilliance-Classic

Preparing to install

Transport to installation site and unpacking
Electrical and Water connection
Levelling

Panels mounting

Decorative door and Bottom-Drawer panels layout
Decorative panels layout for Fridge with one Bottom-Drawer (1T/0T)
Decorative panels layout for Fridge Brilliance
Decorative panels layout for Fridge with two Bottom-Drawers (0H)
Decorative panels layout for Fridge with Glass door and one Bottom-Drawer (1T/0T)
Decorative panels layout for Fridge with Glass door Brilliance
Decorative panels layout for Fridge with Glass door and two Bottom-Drawers (0H)
Decorative panels layout for Fridge Column (0F)
Decorative panels layout for Fridge column with glass door (0F)
Panels Dimensions One Bottom - Drawer (1T/0T models)
Panels Dimensions Two Bottom - Drawers (0H models)
Panels Dimensions Column model (0F models)
Mounting the handles
Mounting panels to the door and the drawer

Installation

Built-in installation of single appliance
Built-in installation of two or more appliances
Free-standing installation two or more appliances

Completing the installation

Anti-tipping safety assembly
Mounting the handles on stainless front
Ventilation
Post installation control
Start Up

Important safely instruction

Symbols used in the Guide

**Note**

Tips for the correct use of the appliance

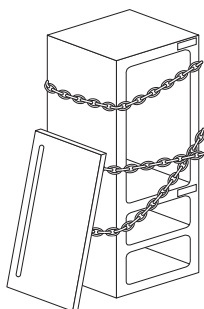
**Important**

Directions to avoid appliance damage

**Warning**

directions to prevent injury

Children safety



If this appliance is replacing an existing appliance which must be removed or disposed of, make sure that it does not become a dangerous trap for children by cutting its power supply cable and rendering it impossible to close the door.

Use the same caution at the end of the lifespan of the new appliance.

IMPORTANT

- Dimensions in parentheses are in inches.
- Weights in parentheses are in pounds.
- Temperatures in parentheses are in Fahrenheit degrees.

Appliance features and installation requirements

Appliance dimensions Integrated	599 Series 749 Series 899 Series	w: 599 mm (23 5/8") / h: 2050 mm (80 3/4") / d: 610 mm (24") w: 749 mm (29 1/2") / h: 2050 mm (80 3/4") / d: 610 mm (24") w: 899 mm (35 3/8") / h: 2050 mm (80 3/4") / d: 610 mm (24")
Appliance dimensions Classic	599 Series 749 Series 899 Series	w: 599 mm (23 5/8") / h: 2050 mm (80 3/4") / d: 635 mm (25") w: 749 mm (29 1/2") / h: 2050 mm (80 3/4") / d: 635 mm (25") w: 899 mm (35 3/8") / h: 2050 mm (80 3/4") / d: 635 mm (25")
Appliance dimensions StandPlus	599 Series 749 Series 899 Series	w: 599 mm (23 5/8") / h: 2120 mm (83 1/2") / d: 629 mm (24 3/4") w: 749 mm (29 1/2") / h: 2120 mm (83 1/2") / d: 629 mm (24 3/4") w: 899 mm (35 3/8") / h: 2120 mm (83 1/2") / d: 629 mm (24 3/4")
Appliance dimensions X-Pro / Country	599 Series 749 Series 899 Series	w: 599 mm (23 5/8") / h: 2120 mm (84") / d: 635 mm (25") w: 749 mm (29 1/2") / h: 2120 mm (84") / d: 635 mm (25") w: 899 mm (35 3/8") / h: 2120 mm (84") / d: 635 mm (25")
Appliance dimensions Brilliance-Integrated	599 Series 749 Series 899 Series	w: 599 mm (23 5/8") / h: 2050 mm (80 3/4") / d: 575 mm (22 5/8") w: 749 mm (29 1/2") / h: 2050 mm (80 3/4") / d: 575 mm (22 5/8") w: 899 mm (35 3/8") / h: 2050 mm (80 3/4") / d: 575 mm (22 5/8")
Appliance dimensions Brilliance-Classic	599 Series 749 Series 899 Series	w: 599 mm (23 5/8") / h: 2050 mm (80 3/4") / d: 600 mm (23 3/4") w: 749 mm (29 1/2") / h: 2050 mm (80 3/4") / d: 600 mm (23 3/4") w: 899 mm (35 3/8") / h: 2050 mm (80 3/4") / d: 600 mm (23 3/4")
Appliance dimensions Integrated / Classic	599 Series 749 Series 899 Series	w: 650 mm (25 5/8") / h: 2210 mm (87") / d: 800 mm (31 1/2") w: 800 mm (31 1/2") / h: 2210 mm (87") / d: 800 mm (31 1/2") w: 950 mm (37 3/8") / h: 2210 mm (87") / d: 800 mm (31 1/2")
Appliance dimensions StandPlus / X-Pro / Country	599 Series 749 Series 899 Series	w: 650 mm (25 5/8") / h: 2260 mm (89") / d: 800 mm (31 1/2") w: 800 mm (31 1/2") / h: 2260 mm (89") / d: 800 mm (31 1/2") w: 950 mm (37 3/8") / h: 2260 mm (89") / d: 800 mm (31 1/2")
Weight with packaging	599 Series 749 Series 899 Series	up to 230 kg (507 lb) up to 275 kg (606 lb) up to 295 kg (650 lb)
Voltage	Europe Version: AC 220-240V 50 Hz / North America Version: 110V 60Hz	
Power supply cable	Europe Version: Schuko 16 A plug / North America Version: 15 A	
Potable water supply pressure	from 0.05 MPa to 0.5 MPa (0.5 Bar - 5 Bar)	
Water supply tube	3/4" female attachment	
Provided installation accessories	<ul style="list-style-type: none"> ■ Customized panels mounting Kit ■ Anti-tipping Kit (B04000200) ■ Lateral connecting kit (KCLIT/KCLIH) ■ 4 mm (1/8") allen wrench 	
Additional equipment necessary	<ul style="list-style-type: none"> ■ Phillips head screwdriver ■ wood and percussion drill ■ 2.5 mm (1/8") bit for wood ■ 8 mm (3/8") bit for walls ■ 17 mm (3/4") wrench 	

EN

Installation niche features: Integrated Series

- A** area to be left clear for the anti-tipping brackets
- E** area to be left clear for the power supply cable
- W** and water supply hose

Minimum Niche Height

2064 mm (81 1/4")

Minimum Niche Width

S899: 900 mm (35 1/2")

S749: 750 mm (29 5/8")

S599: 600 mm (23 3/4")

Door Swing Clearance

S899: 1470 mm (57 7/8")

S749: 1320 mm (52")

S599: 1170 mm (46")

Door Opening Angle

105°

Width

S899: 899 mm (35 3/8")

S749: 749 mm (29 1/2")

S599: 599 mm (23 5/8")

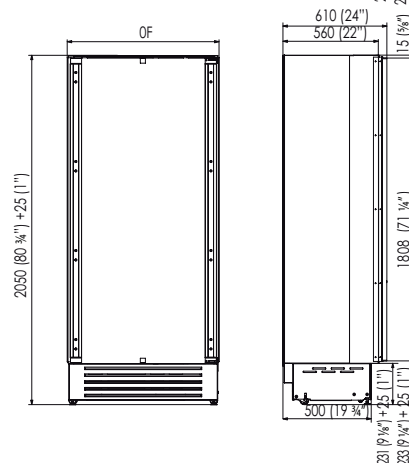
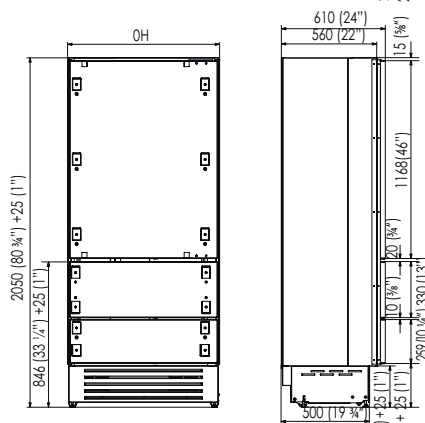
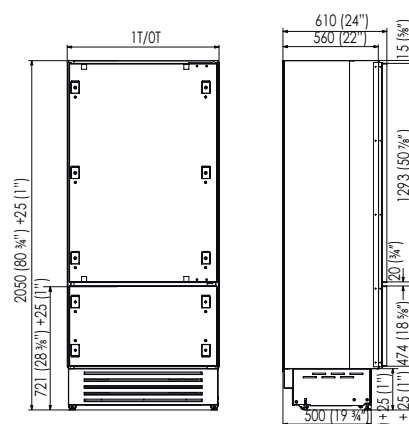
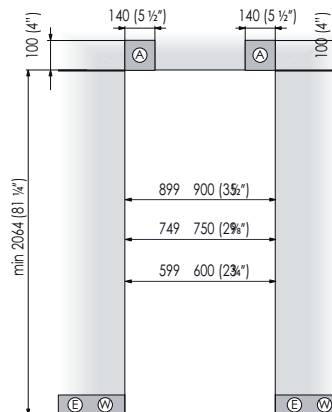
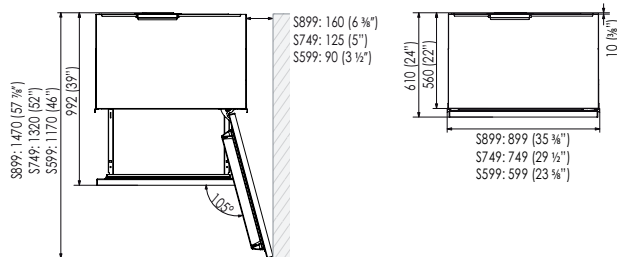
Height

2050 mm (80 3/4") + 25 mm (1")

Depth with door (without panel)

610 mm (24")

Important: A 90° door opening is sufficient to allow opening and full extraction of the inner drawers, even if the appliance is installed directly adjacent to a wall. Should an opening at 105° be desired, then the appliance should be positioned at the distance from the wall described in figure.



Installation niche features: Classic Series

- A** area to be left clear for the anti-tipping brackets
- E** area to be left clear for the power supply cable
- W** area to be left clear for the water supply hose

Minimum Niche Height

2064 mm (81 1/4")

Minimum Niche Width

KS899: 900 mm (35 1/2")
 KS749: 750 mm (29 5/8")
 KS599: 600 mm (23 3/4")

Door Swing Clearance

KS899: 1470 mm (57 7/8")
 KS749: 1320 mm (52")
 KS599: 1170 mm (46")

Door Opening Angle

105°

Width

KS899: 899 mm (35 3/8")
 KS749: 749 mm (29 1/2")
 KS599: 599 mm (23 5/8")

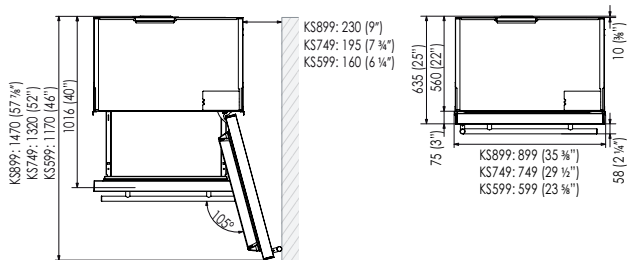
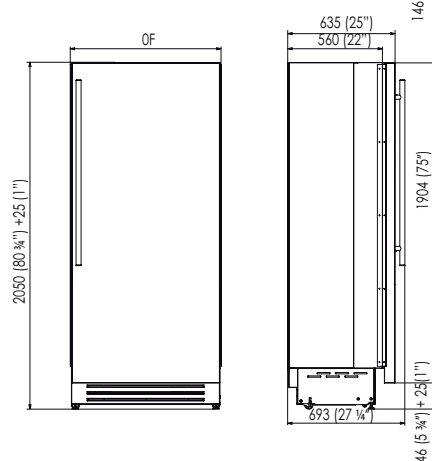
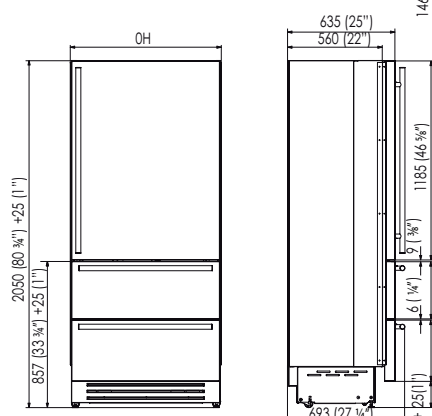
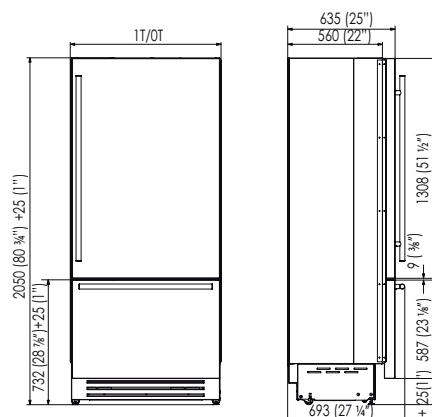
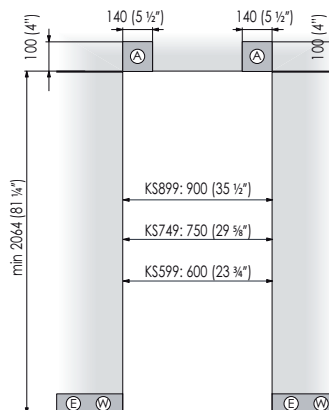
Height

2050 mm (80 3/4") + 25 mm (1")

Depth with door

635 mm (25")

Important: A 90° door opening is sufficient to allow opening and full extraction of the inner drawers, even if the appliance is installed directly adjacent to a wall. Should an opening at 105° be desired, then the appliance should be positioned at the distance from the wall described in figure.



Installation niche features: StandPlus Series

- A** area to be left clear for the anti-tipping brackets
- E** area to be left clear for the power supply cable
- W** area to be left clear for the water supply hose

Minimum Niche Height

2134 mm (84")

Minimum Niche Width

MS899: 900 mm (35 1/2")

MS749: 750 mm (29 5/8")

MS599: 600 mm (23 3/4")

Door Swing Clearance

MS899: 1470 mm (57 7/8")

MS749: 1320 mm (52")

MS599: 1170 mm (46")

Door Opening Angle

105°

Width

MS899: 899 mm (35 3/8")

MS749: 749 mm (29 1/2")

MS599: 599 mm (23 5/8")

Height

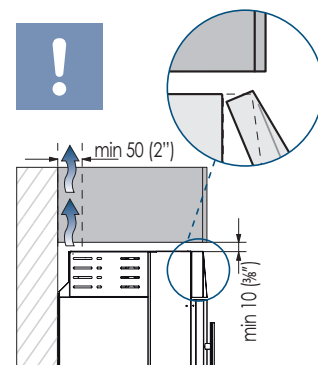
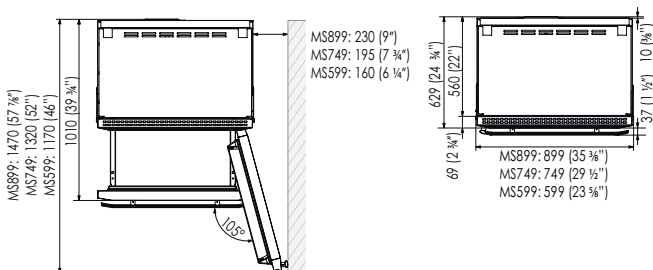
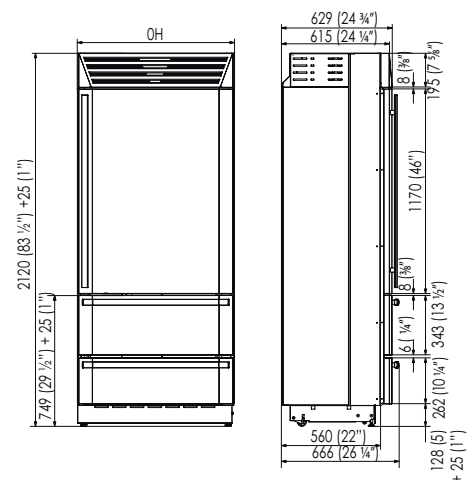
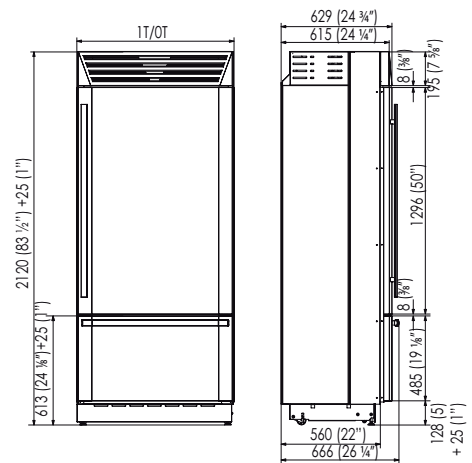
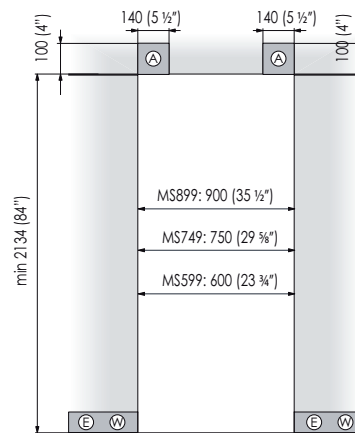
2120 mm (83 1/2") + 25 mm (1")

Depth with door

629 mm (24 3/4")

Important: A 90° door opening is sufficient to allow opening and full extraction of the inner drawers, even if the appliance is installed directly adjacent to a wall. Should an opening at 105° be desired, then the appliance should be positioned at the distance from the wall described in figure.

Important: If the units are to be installed inside a niche or within an enclosed structure, it is necessary to design a ventilation shaft at the back of the niche to assure proper ventilation at the back of the unit.



Installation niche features: X-Pro Series

- A** area to be left clear for the anti-tipping brackets
- E** area to be left clear for the power supply cable
- W** area to be left clear for the power supply cable and water supply hose

Minimum Niche Height

2134 mm (84")

Minimum Niche Width

XS899: 900 mm (35 1/2")
 XS749: 750 mm (29 5/8")
 XS599: 600 mm (23 3/4")

Door Swing Clearance

XS899: 1470 mm (57 7/8")
 XS749: 1320 mm (52")
 XS599: 1170 mm (46")

Door Opening Angle

105°

Width

XS899: 899 mm (35 3/8")
 XS749: 749 mm (29 1/2")
 XS599: 599 mm (23 5/8")

Height

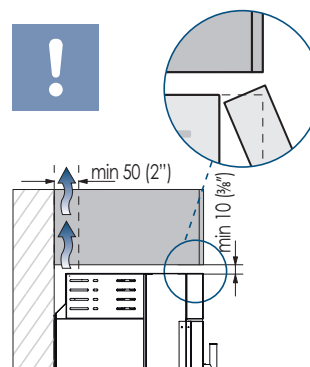
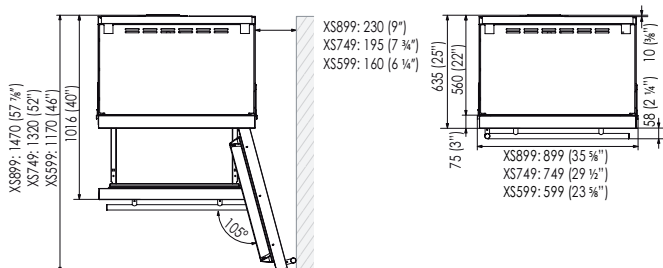
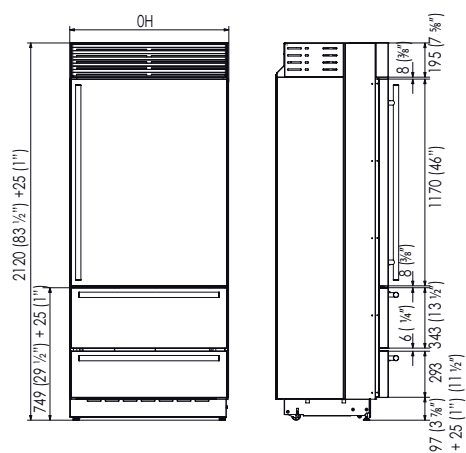
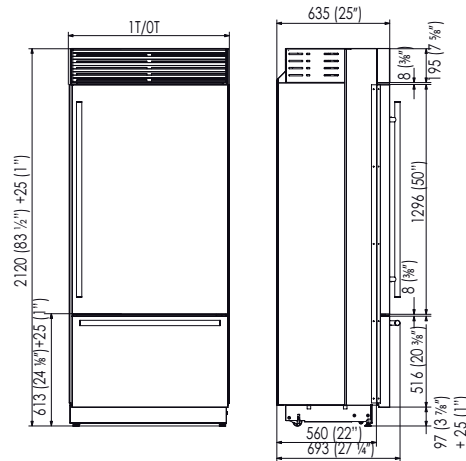
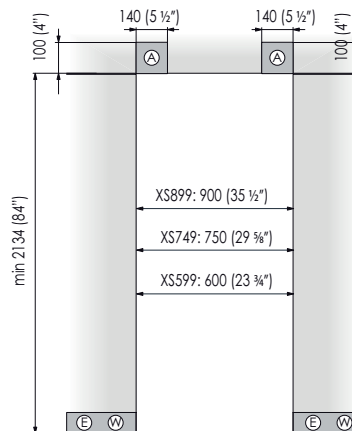
2120 mm (83 1/2") + 25 mm (1")

Depth with door

635 mm (25 ")

Important: A 90° door opening is sufficient to allow opening and full extraction of the inner drawers, even if the appliance is installed directly adjacent to a wall. Should an opening at 105° be desired, then the appliance should be positioned at the distance from the wall described in figure.

Important: If the units are to be installed inside a niche or within an enclosed structure, it is necessary to design a ventilation shaft at the back of the niche to assure proper ventilation at the back of the unit.



Installation niche features: Country Series

- A** area to be left clear for the anti-tipping brackets
- E** area to be left clear for the power supply cable
- W** area to be left clear for the water supply hose

Minimum Niche Height

2134 mm (84")

Minimum Niche Width

AS899: 900 mm (35 1/2")

AS749: 750 mm (29 5/8")

AS599: 600 mm (23 3/4")

Door Swing Clearance

AS899: 1470 mm (57 7/8")

AS749: 1320 mm (52")

AS599: 1170 mm (46")

Door Opening Angle

105°

Width

AS899: 887 mm (35")

AS749: 737 mm (29")

AS599: 587 mm (23 1/8")

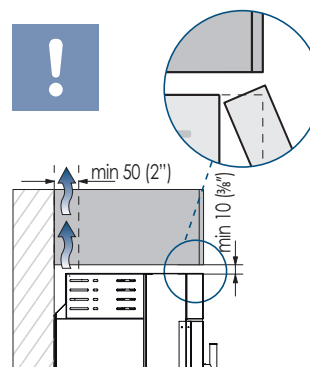
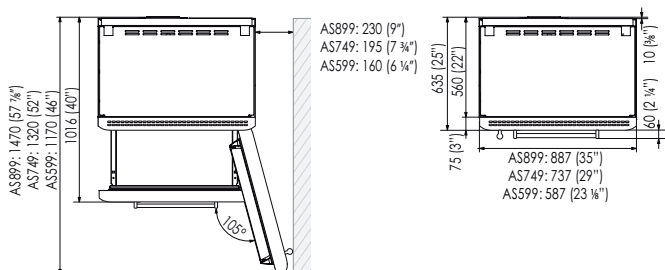
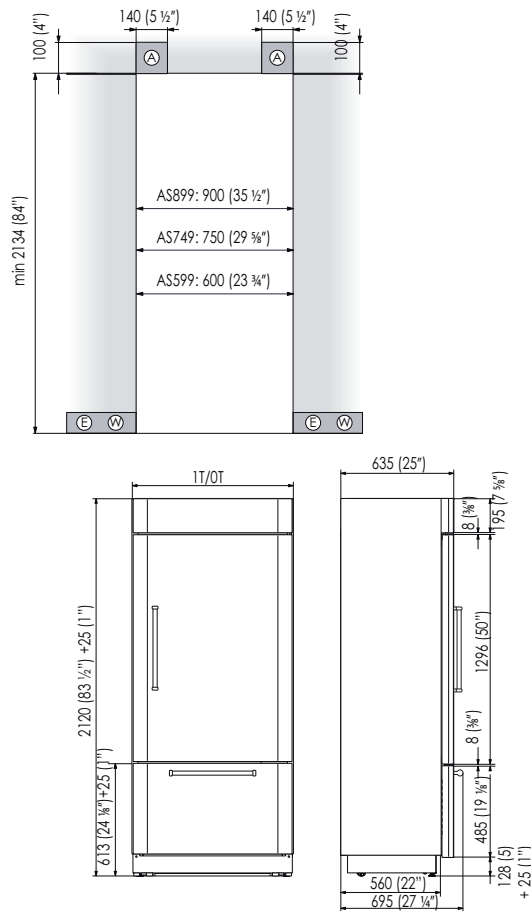
Height

2120 mm (83 1/2") + 25 mm (1")

Depth with door

635 mm (25 ")

Important: A 90° door opening is sufficient to allow opening and full extraction of the inner drawers, even if the appliance is installed directly adjacent to a wall. Should an opening at 105° be desired, then the appliance should be positioned at the distance from the wall described in figure.



Installation niche features: Brilliance-Integrated Series

- A** area to be left clear for the anti-tipping brackets
- E** area to be left clear for the power supply cable
- W** area to be left clear for the power supply cable and water supply hose

Minimum Niche Height

2064 mm (81 1/4")

Minimum Niche Width

BI899: 900 mm (35 1/2")
 BI749: 750 mm (29 5/8")
 BI599: 600 mm (23 3/4")

Door Swing Clearance

BI899: 1435 mm (56 1/2" in)
 BI749: 1285 mm (50 5/8" in)
 BI599: 1135 mm (44 3/4" in)

Door Opening Angle

105°

Width

BI899: 899 mm (35 3/8")
 BI749: 749 mm (29 1/2")
 BI599: 599 mm (23 5/8")

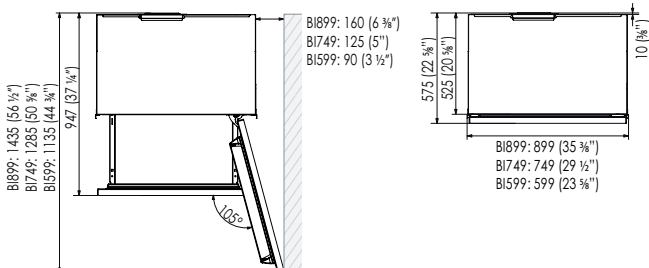
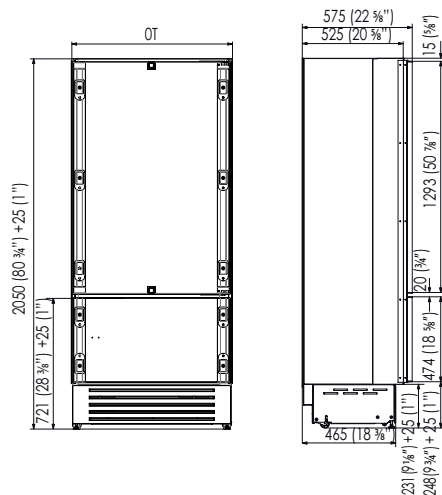
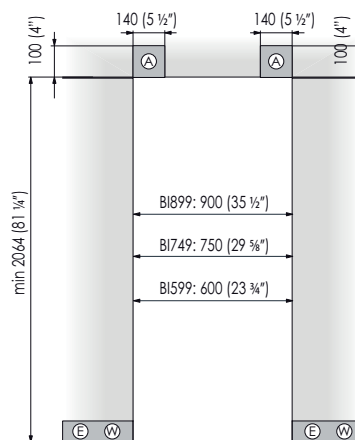
Height

2050 mm (80 3/4") + 25 mm (1")

Depth with door (without panel)

575 mm (22 5/8" in)

Important: A 90° door opening is sufficient to allow opening and full extraction of the inner drawers, even if the appliance is installed directly adjacent to a wall. Should an opening at 105° be desired, then the appliance should be positioned at the distance from the wall described in figure.



Installation niche features: Brilliance-Classic Series

- A** area to be left clear for the anti-tipping brackets
- E** area to be left clear for the power supply cable
- W** area to be left clear for the water supply hose

Minimum Niche Height

2064 mm (81 1/4")

Minimum Niche Width

BKI899: 900 mm (35 1/2")

BKI749: 750 mm (29 5/8")

BKI599: 600 mm (23 3/4")

Door Swing Clearance

BKI899: 1435 mm (56 1/2" in)

BKI749: 1285 mm (50 5/8" in)

BKI599: 1135 mm (44 3/4" in)

Door Opening Angle

105°

Width

BKI899: 899 mm (35 3/8")

BKI749: 749 mm (29 1/2")

BKI599: 599 mm (23 5/8")

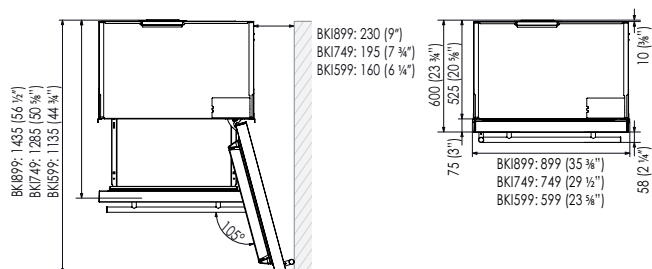
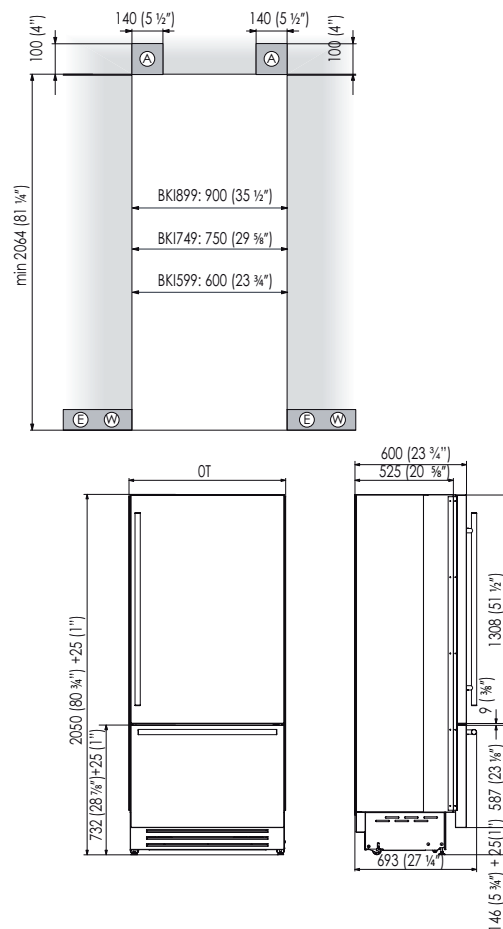
Height

2050 mm (80 3/4") + 25 mm (1")

Depth with door

600 mm (23 3/4" in)

Important: A 90° door opening is sufficient to allow opening and full extraction of the inner drawers, even if the appliance is installed directly adjacent to a wall. Should an opening at 105° be desired, then the appliance should be positioned at the distance from the wall described in figure.



Preparing the installation

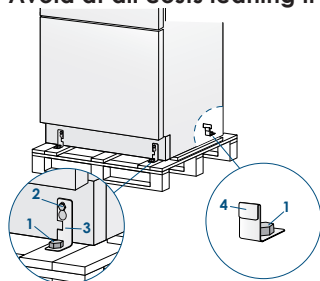
Transport to installation site and unpacking



The appliance is very heavy.
Take maximum care during handling to avoid injury.



The appliance should always be transported in an erect position.
Avoid at all costs leaning it on its front side.



Since this is a large and heavy appliance, before transporting the appliance, check the access to the location where it will be installed (door size, manoeuvring space in stairwells, etc.).

The appliance is attached to the base of the packaging (pallet) through four bolts which can be removed using a 17 mm (3/4") wrench.

It is recommended to use a manual transporting device to move the appliance to the installation site, and only at this point to remove the base of the packaging.

The appliance should always be transported in an erect position.

If this is not possible, transport the appliance laying on its rear side.

Once at the installation site, the appliance, which is equipped with four wheels, can be taken off the pallet and positioned in the installation area.

Operate as follows:

- Take off the four bolts (1) securing the appliance to the pallet by means of a 17 mm (3/4") open spanner.
- Remove the fixing brackets (3) and (4).
- To remove the front fixing bracket (3), unscrew for one or two turns the rear wheel adjusting bolt (2) by means of a 13 mm (1/2") box spanner, avoiding too much strength while tightening the nut, which could damage the leveling feet adjusting system.
- From the back of the unit and by means of a suitable, high duty hand trolley, take off the appliance and place it on the floor.

Be very careful to avoid any damage to floors. Delicate floors should be protected with plywood, hard cardboard or similar material panels.

Electrical and Water connection




The Built-in Fhiaba filter cannot make it safe to drink any water which is not suitable for human consumption.

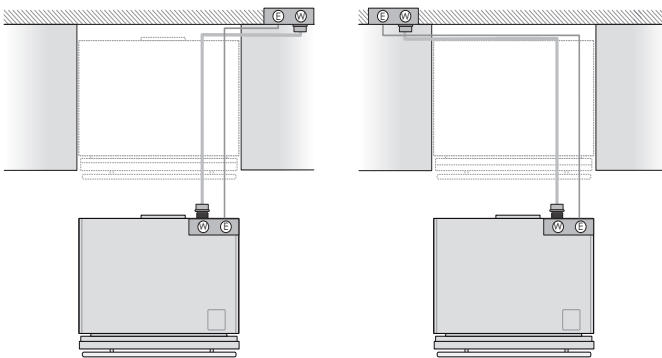


The appliance should be connected only to a drinkable water supply system.



Do not use extension cords or adapters.

Once the appliance has been connected to the water system, turn the Ice Maker off (touch the button  on control panel to switch it off) before the main water is shut off.



A Schuko 16 A socket with an efficient grounding should be made available for the electrical mains connection, as well as an omnipolar switch which can easily be reached when the appliance is installed.

To connect to the water supply system (for appliances equipped with ice makers) a tap with a male 3/4" connection should be provided, which must also be easily accessible once the appliance is installed.

The appliance is provided with a water supply hose and seal kit which is suitable for high water pressure and complies the Food Regulations.

The water filter cartridge, which is provided with the appliance, should be installed according to the accompanying instructions.

Use only the new hose and the new gaskets which are supplied with the appliance. Discard any hose and gasket which may have already been installed.

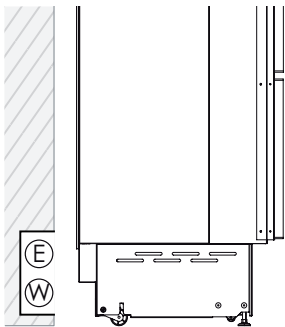
Electrical cord length: 2,0 mt (78 3/4")

Water connection line length: 2,5 mt (98 3/8")

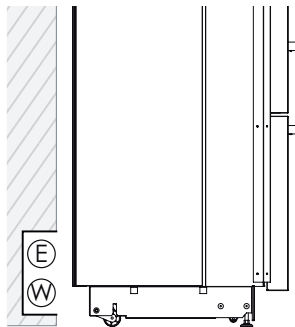
EN

Electrical and water supply behind the unit

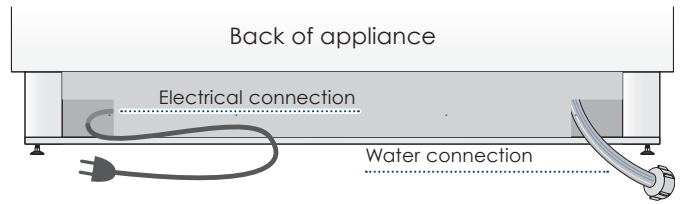
Integrated and Classic Series





StandPlus, X-Pro and Country Series



StandPlus, X-Pro and Country Series



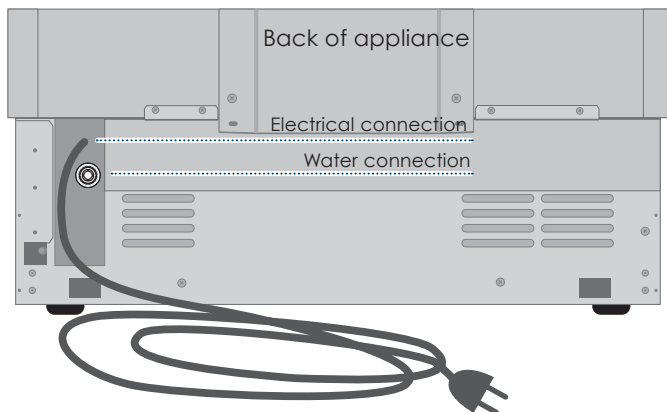
Operate as follows:

- Unwind the electric cable and connect it directly to the wall socket.
- Make sure the appliance is in the Stand-by condition and that all lights are off; should it be not so press the Unit button  to switch it off.
- Connect the water line to the threaded connection at the base of the unit, as in figure .


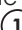
Energy: Alternatives and Home Automation

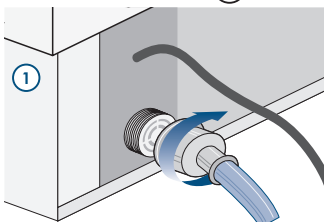
If energy is supplied through an alternative energy power source (solar, geothermal, etc..) or if home automation systems are installed, it is necessary to install the Alternative Energy Kit to integrate the unit into the power grid.


Integrated and Classic Series

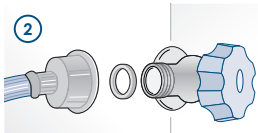


Operate as follows:

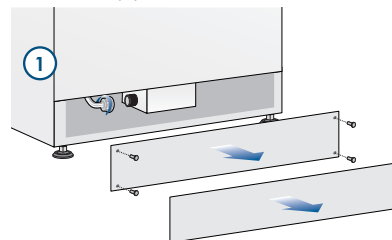
- Unwind the electric cable and connect it directly to the wall socket.
- Make sure the appliance is in the Stand-by condition and that all lights are off; should it be not so press the Unit button  to switch it off.
- Fit one end of the water hose onto the connector at the appliance's back .




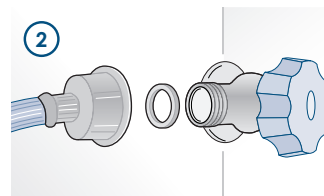
- Fit the other end of the hose to the water tap, use the gaskets provided in the Owner's Kit .



Front of appliance

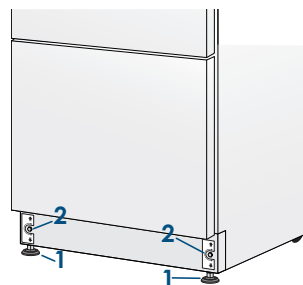


- Fit the other end of the hose to the water tap, use the gaskets provided in the Owner's Kit .

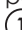



Levelling

Adjust the appliance level by means of the front levelling feet and the rear adjustable wheels.



Operate as follows:

- After removing the bottom plinth or grille (it is kept in position by magnets), adjust the height of the levelling feet  by means of a 17 mm (3/4") open spanner.
- Then adjust the height of the rear wheels by turning the front adjusting bolts  clockwise or anticlockwise as it may be required.
- Remount the bottom plinth or grille.

Integrated Series

Decorative door and bottom-drawer panels layout

The dimensions of the panels are indicated in the table and drawings on next pages.

Nevertheless, according to the requirements for aligning with other kitchen structures, the door panel can be higher than the upper edge of the refrigerator door, and the drawer panel can be lower than the edge of the drawer. The panels must be mounted using special braces which attach to adjustable devices provided on the door and drawer and with brackets that anchor and adjust the panel's vertical direction.

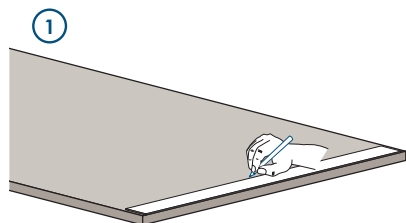
Braces, brackets and fixing screws are provided with the appliance and must be applied to the panel as indicated.

Operate as follows:

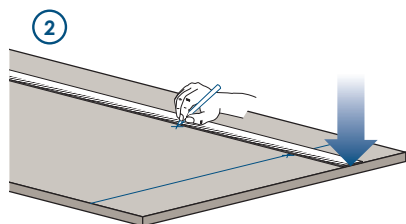
To prepare the panels to be mounted on the appliance, follow these steps, working on the back of the panel.

Door Panel

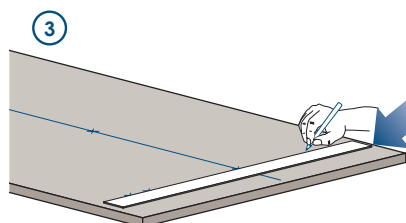
- Trace, a line dividing the panel width in half (1).



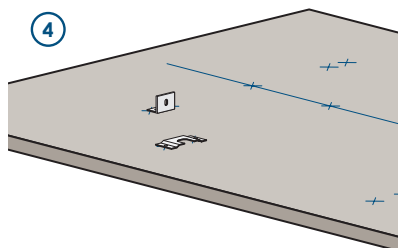
- Starting from the Bottom edge of the panel, mark the positioning of the brackets (2).



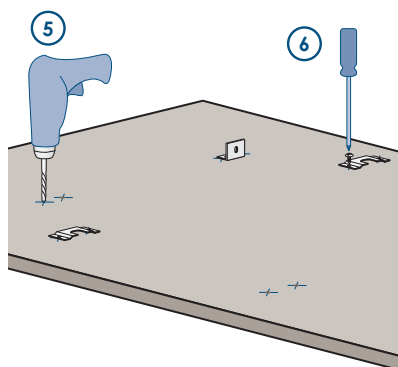
- Following the corresponding table, mark the external and then the internal hole (3).



- Position the brackets on each set of marks to make sure they are aligned (4), then drill holes through the panel (pay close attention to the panel's thickness) (5).

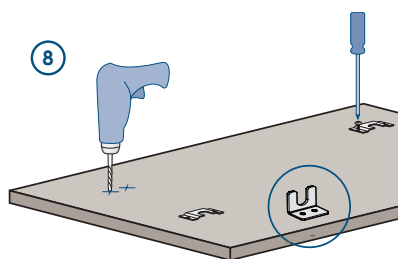
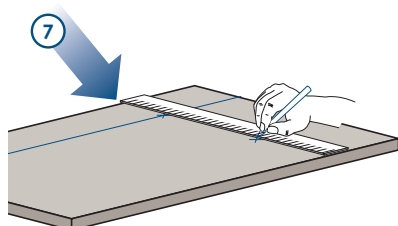


- Screw the brackets in place (6).



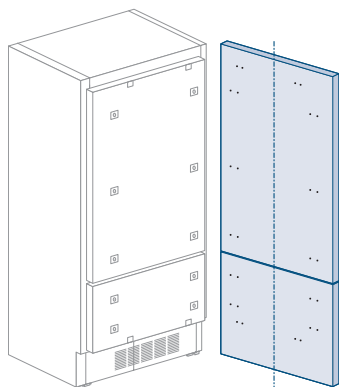
Drawer Panel

- When preparing the Drawer Panel, follow the same instructions as per the door panel, but make sure measurements are taken starting from the top edge (7). The support bracket faces the opposite way (8) (note imgs 4 and 8).



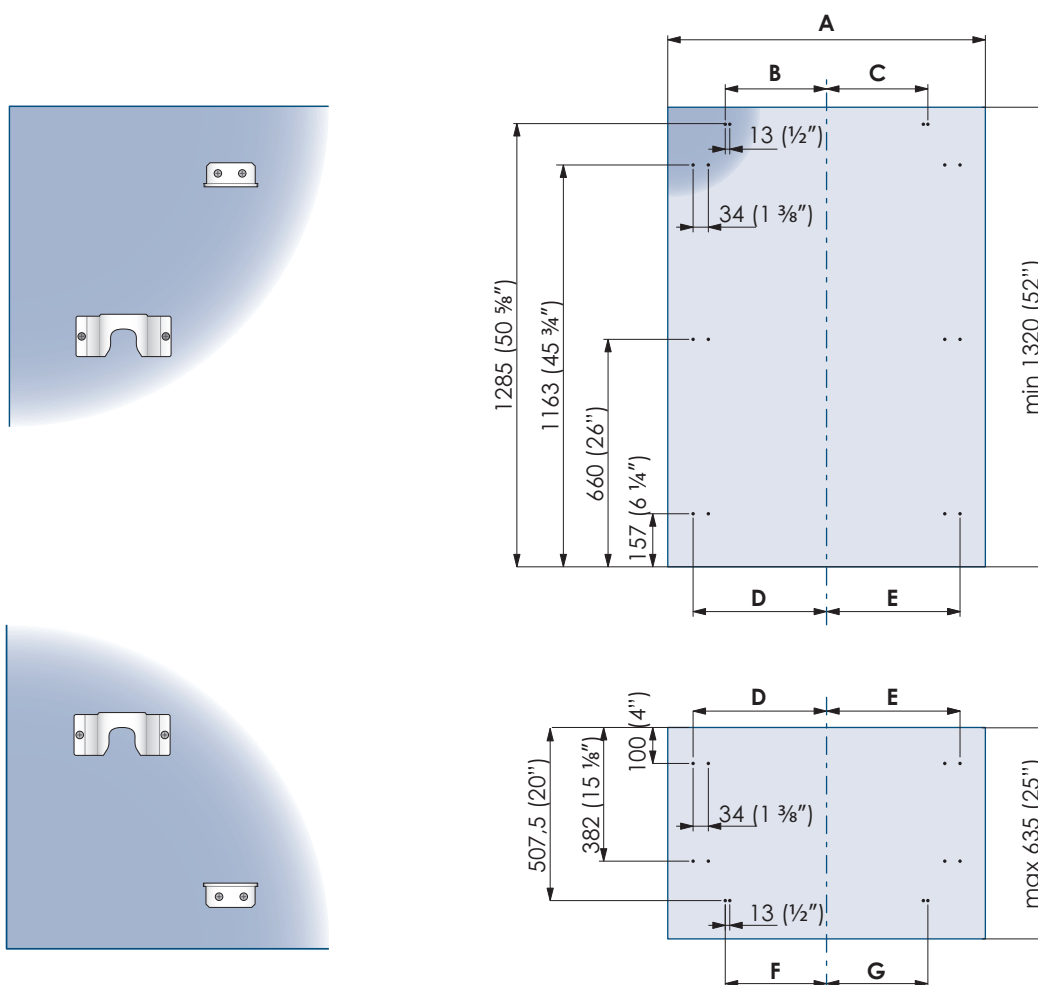
EN

Decorative panels layout for Fridge with one Bottom-Drawer (1T/0T)

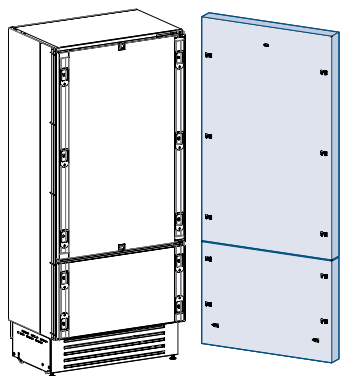


	Series 899		Series 749		Series 599	
	Hinge Left	Hinge Right	Hinge Left	Hinge Right	Hinge Left	Hinge Right
A	897 (35 1/4")	897 (35 1/4")	747 (29 3/8")	747 (29 3/8")	597 (23 1/2")	597 (23 1/2")
B	355,5 (14")	261 (10 1/4")	279 (11")	187 (7 3/8")	205 (8 1/8")	111 (4 3/8")
C	261 (10 1/4")	355,5 (14")	187 (7 3/8")	279 (11")	111 (4 3/8")	205 (8 1/8")
D	418 (16 1/2")	386 (15 1/4")	343 (13 1/2")	311 (12 1/4")	276,5 (10 7/8")	236,5 (9 3/8")
E	386 (15 1/4")	418 (16 1/2")	311 (12 1/4")	343 (13 1/2")	236,5 (9 3/8")	276,5 (10 7/8")
F / G	354,5 (14")	354,5 (14")	279,5 (11")	279,5 (11")	203,5(8")	203,5(8")

Holes positions



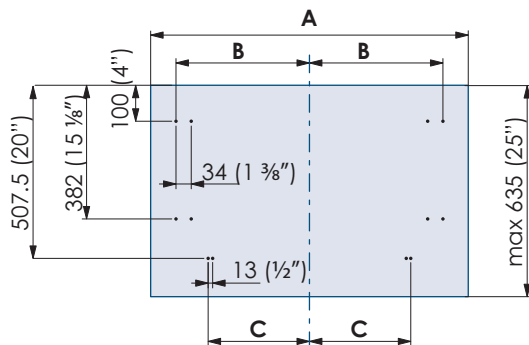
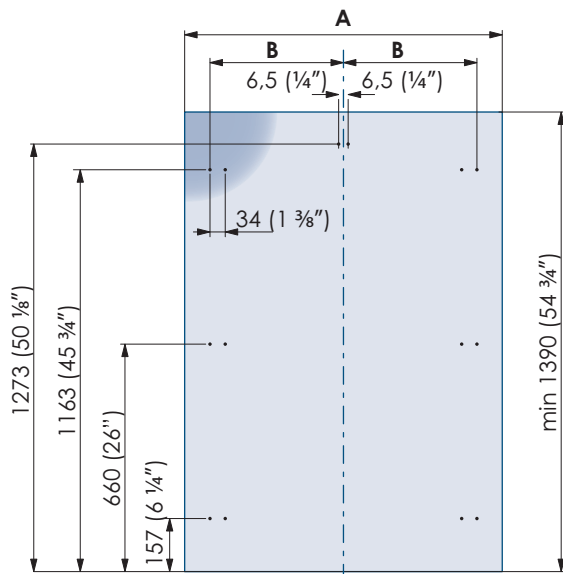
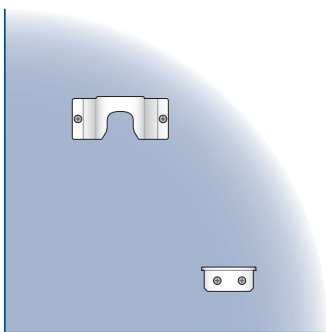
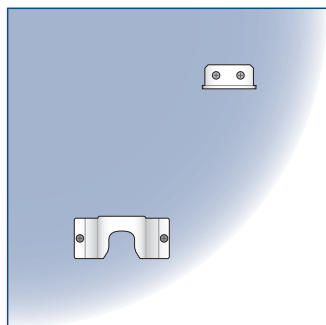
Decorative panels layout for Fridge Brilliance



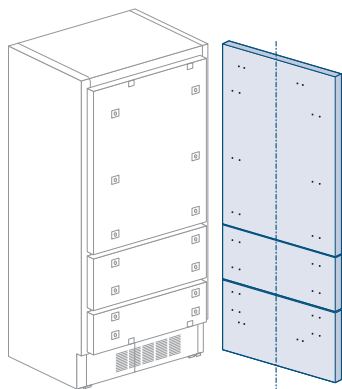
	Series 899		Series 749		Series 599	
	Hinge Left	Hinge Right	Hinge Left	Hinge Right	Hinge Left	Hinge Right
A	897 (35 1/4")	897 (35 1/4")	747 (29 3/8")	747 (29 3/8")	597 (23 1/2")	597 (23 1/2")
B	417 (16 3/8")	417 (16 3/8")	342 (13 1/2")	342 (13 1/2")	276,5 (10 7/8")	268 (11 1/4")
C	417 (16 3/8")	417 (16 3/8")	342 (13 1/2")	342 (13 1/2")	268 (11 1/4")	276,5 (10 7/8")
D	354,5 (14")	354,5 (14")	279,5(11")	279,5(11")	203,5 (8")	203,5 (8")

EN

Holes positions

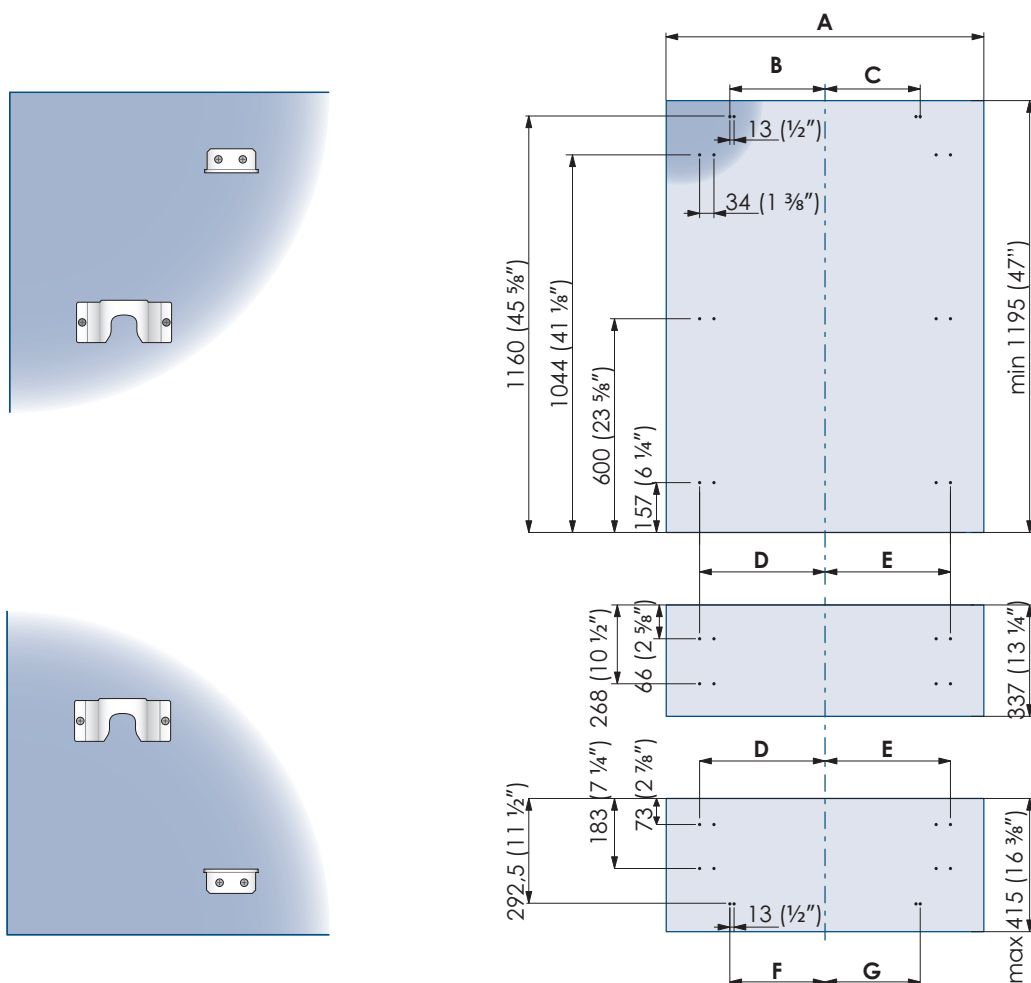


Decorative panels layout for Fridge with two Bottom-Drawers (OH)



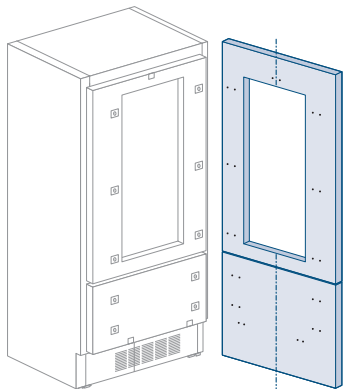
	Series 899		Series 749		Series 599	
	Hinge Left	Hinge Right	Hinge Left	Hinge Right	Hinge Left	Hinge Right
A	897 (35 1/4")	897 (35 1/4")	747 (29 3/8")	747 (29 3/8")	597 (23 1/2")	597 (23 1/2")
B	355,5 (14")	261 (10 1/4")	279 (11")	187 (7 3/8")	205 (8 1/8")	111 (4 3/8")
C	261 (10 1/4")	355,5 (14")	187 (7 3/8")	279 (11")	111 (4 3/8")	205 (8 1/8")
D	418 (16 1/2")	386 (15 1/4")	343 (13 1/2")	311 (12 1/4")	276,5 (10 7/8")	236,5 (9 3/8")
E	386 (15 1/4")	418 (16 1/2")	311 (12 1/4")	343 (13 1/2")	236,5 (9 3/8")	276,5 (10 7/8")
F / G	354,5 (14")	354,5 (14")	279,5 (11")	279,5 (11")	203,5(8")	203,5(8")

Holes positions



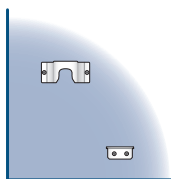
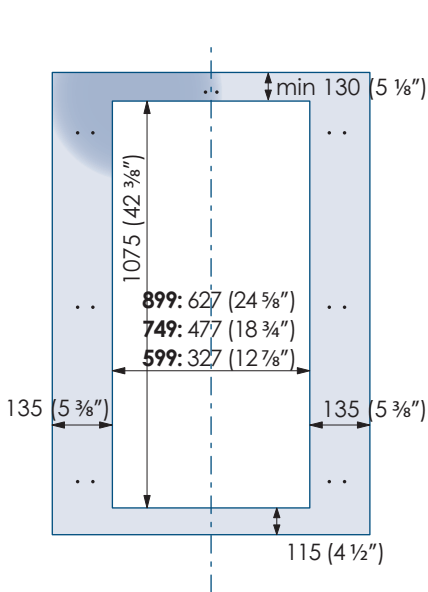
Decorative panels layout for Fridge with glass door and one Bottom-Drawer (1T/0T)

EN

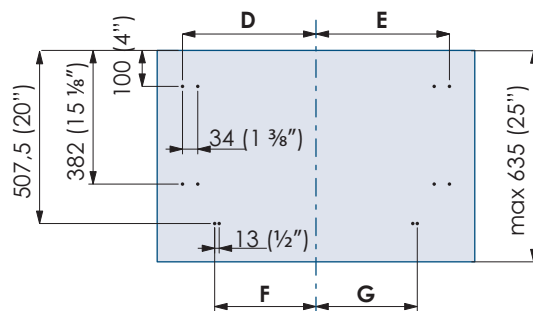
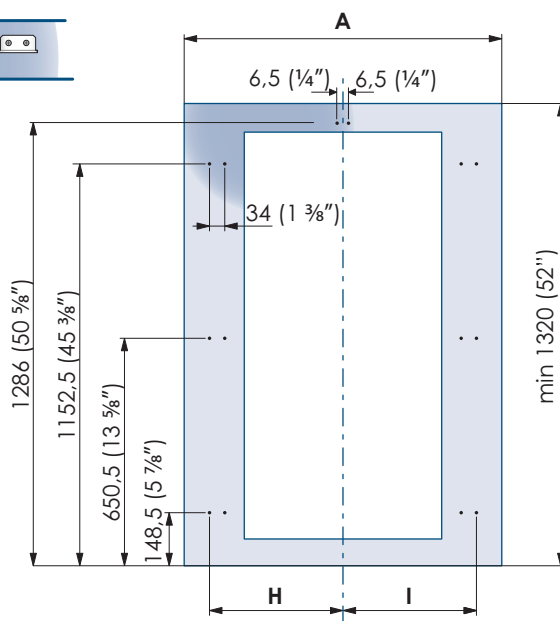


	Series 899		Series 749		Series 599	
	Hinge Left	Hinge Right	Hinge Left	Hinge Right	Hinge Left	Hinge Right
A	897 (35 1/4")	897 (35 1/4")	747 (29 3/8")	747 (29 3/8")	597 (23 1/2")	597 (23 1/2")
D	418 (16 1/2")	386 (15 1/4")	343 (13 1/2")	311 (12 1/4")	276,5 (10 7/8")	236,5 (9 3/8")
E	386 (15 1/4")	418 (16 1/2")	311 (12 1/4")	343 (13 1/2")	236,5 (9 3/8")	276,5 (10 7/8")
F / G	354,5 (14")	354,5 (14")	279,5 (11")	279,5 (11")	203,5(8")	203,5(8")
H	412 (16 1/4")	380 (15")	337 (13 1/4")	305 (12")	270,5 (10 5/8")	230,5 (9 1/8")
I	380 (15")	412 (16 1/4")	305 (12")	337 (13 1/4")	230,5 (9 1/8")	270,5 (10 5/8")

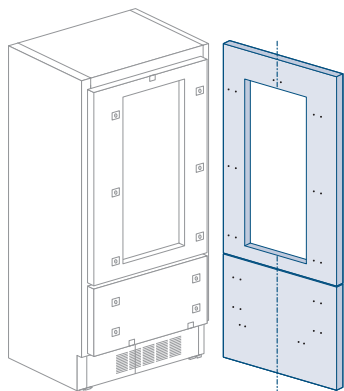
Door window dimensions



Holes positions

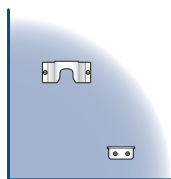
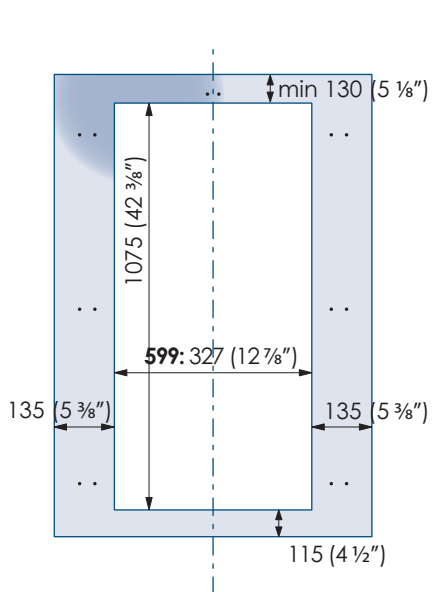


Decorative panels layout for Fridge with glass door Brilliance

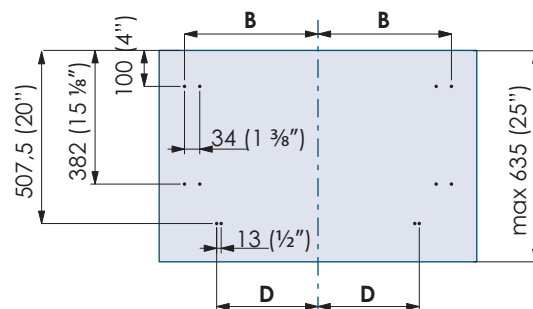
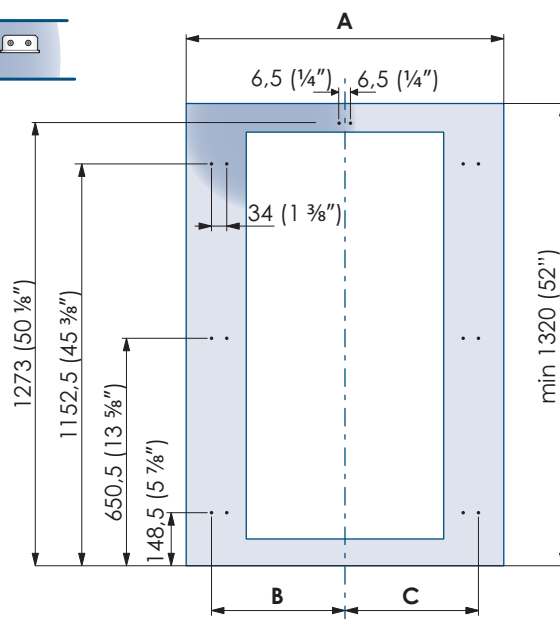


Series 599		
	Hinge Left	Hinge Right
A	597 (23 1/2")	597 (23 1/2")
B	276,5 (10 7/8")	268 (10 1/2")
C	268 (10 1/2")	276,5 (10 7/8")
D	203,5(8")	203,5(8")

Door window dimensions

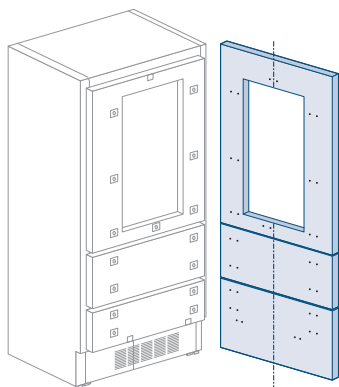


Holes positions



Decorative panels layout for Fridge with glass door and two Bottom-Drawers (0H)

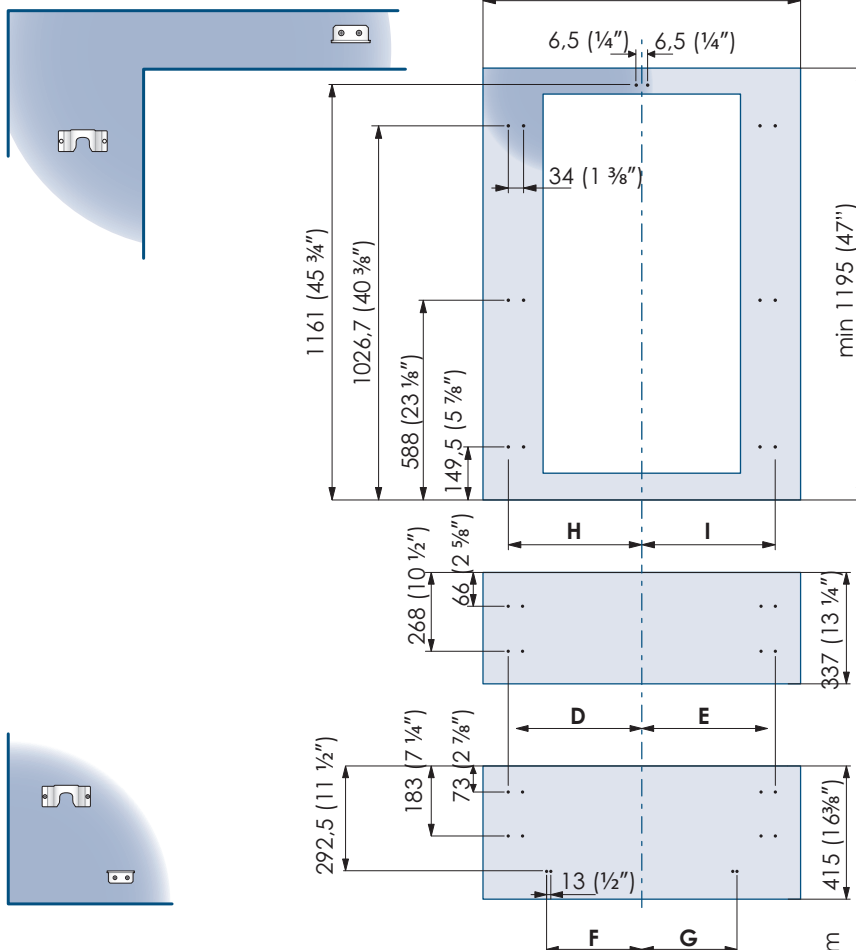
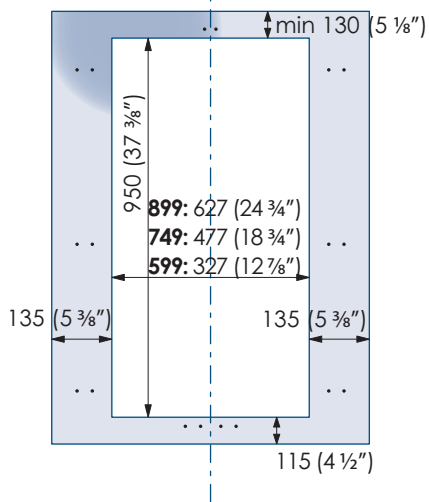
EN



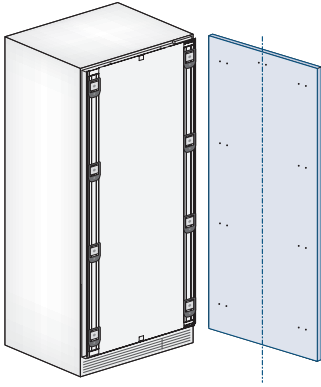
	Hinge Left	Hinge Right	Hinge Left	Hinge Right		
A	897 (35 1/4")	897 (35 1/4")	747 (29 3/8")	747 (29 3/8")	597 (23 1/2")	597 (23 1/2")
D	418 (16 1/2")	386 (15 1/4")	343 (13 1/2")	311 (12 1/4")	276,5 (10 7/8")	236,5 (9 3/8")
E	386 (15 1/4")	418 (16 1/2")	311 (12 1/4")	343 (13 1/2")	236,5 (9 3/8")	276,5 (10 7/8")
F / G	354,5 (14")	354,5 (14")	279,5 (11")	279,5 (11")	203,5(8")	203,5(8")
H	412 (16 1/4")	380 (15")	337 (13 1/4")	305 (12")	270,5 (10 5/8")	230,5 (9 1/8")
I	380 (15")	412 (16 1/4")	305 (12")	337 (13 1/4")	230,5 (9 1/8")	270,5 (10 5/8")

Door window dimensions

Holes positions

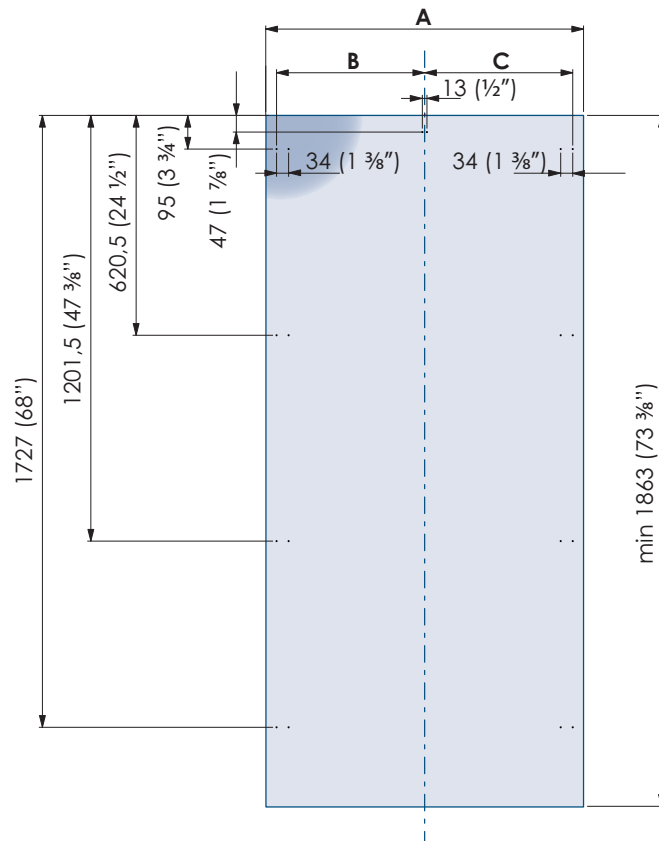
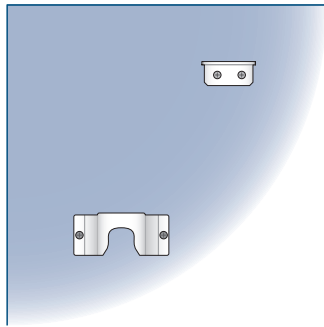


Decorative panels layout for Fridge Column (0F)

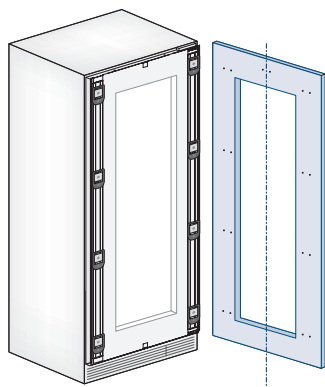


	Series 899	Series 749	Series 599	
			Hinge Left	Hinge Right
A	897 (35 1/4")	747 (29 3/8")	597 (23 1/2")	597 (23 1/2")
B	418 (16 1/2")	343 (13 1/2")	276,5 (10 7/8")	268 (10 1/2")
C	418 (16 1/2")	343 (13 1/2")	268 (10 1/2")	276,5 (10 7/8")

Holes positions



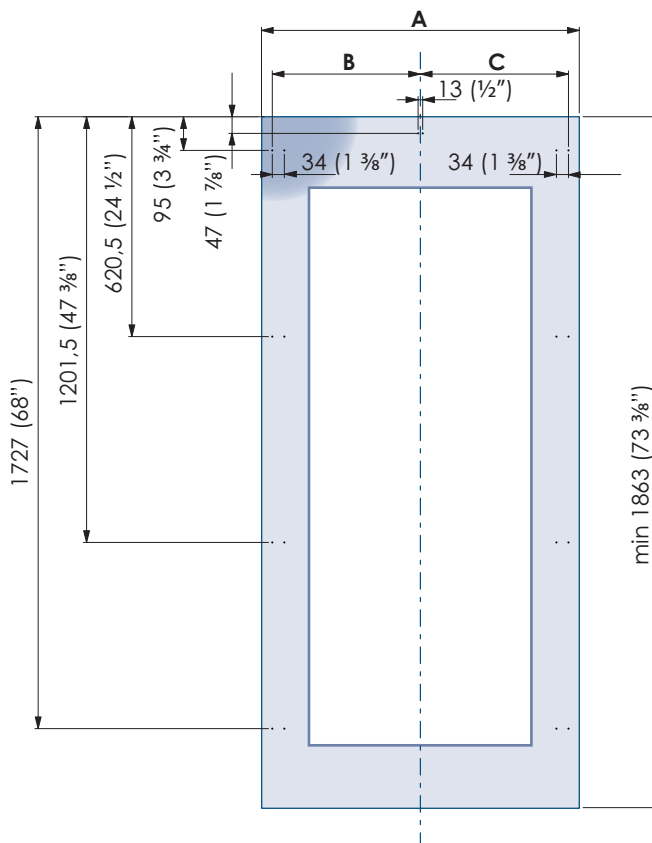
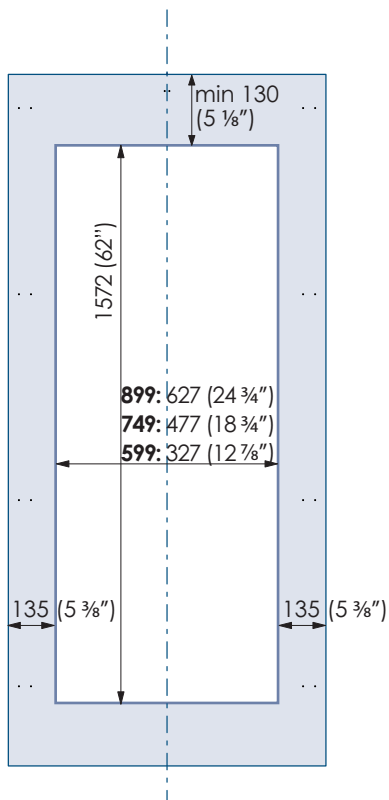
Decorative panels layout for Fridge column with glass door (0F)



	Series 899	Series 749	Series 599	
			Hinge Left	Hinge Right
A	897 (35 1/4")	747 (29 3/8")	597 (23 1/2")	597 (23 1/2")
B	418 (16 1/2")	343 (13 1/2")	276,5 (10 7/8")	268 (10 1/2")
C	418 (16 1/2")	343 (13 1/2")	268 (10 1/2")	276,5 (10 7/8")

Door window dimensions

Holes positions



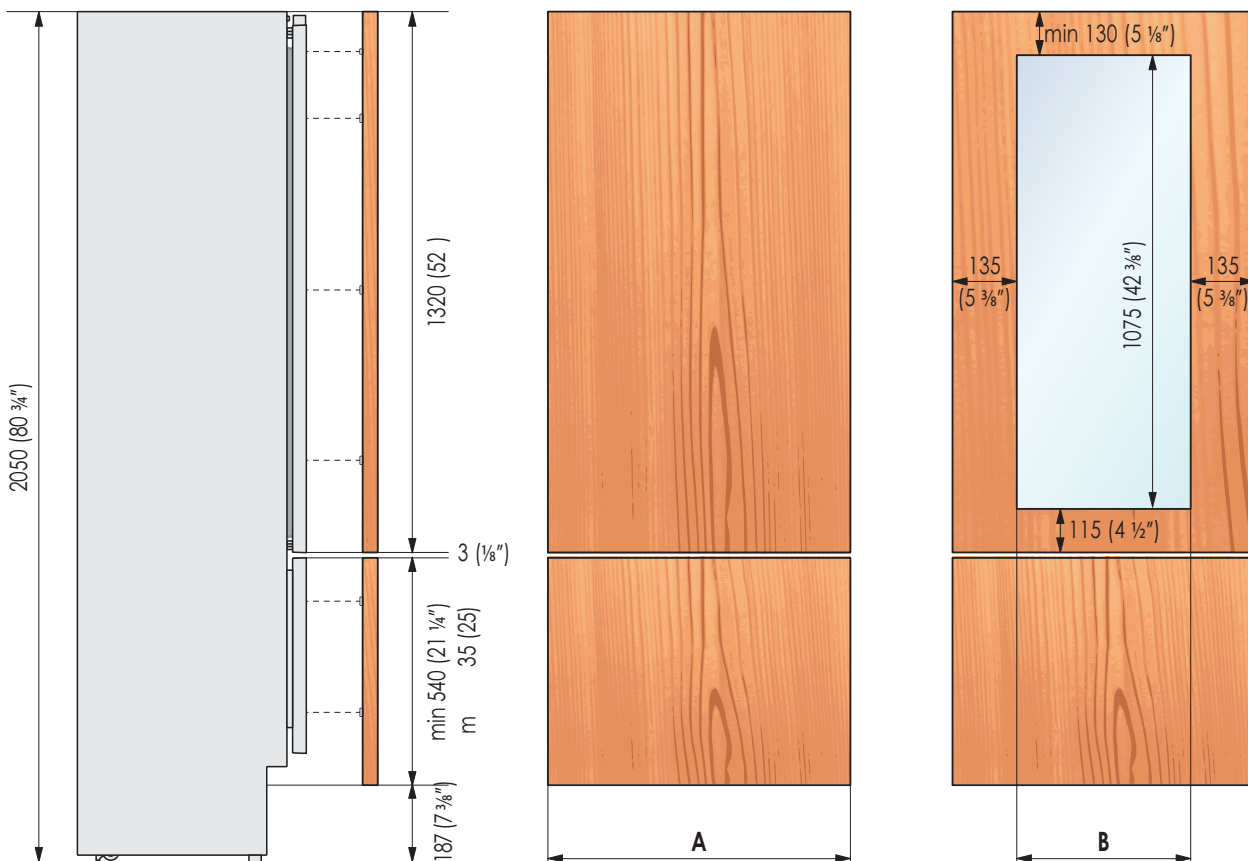
Panels Dimensions One Bottom - Drawer (1T/0T models)

Panels with width ranging between 18 mm (3/4 in) and 28 mm (1 1/8 in).

Door panels with weight max of 23 kg (51 lb) and drawer panels with weight max of 11kg (25 lb).

Provide installation of decorative panels during installation of the unit.

Series	Door/Drawer Width A	Door Cutout Width B
899	897 (35 1/4")	627 (24 3/4")
749	747 (29 3/8")	477 (18 3/4")
599	597 (23 3/4")	327 (12 7/8")



Examples of calculation

- Integration in a kitchen column of total height 2160 mm (85") and 150 mm (6") kickplate.
(NOTE: In calculating the adjustment foot is considered to 0).

Drawer Calculation:

Kickplate 187 - 150 = 37 mm (1 1/2") → 540 + 37 = **577 mm (22 3/4")**

Upper Panel Calculation:

2160 - 2050 = 110 mm (4 3/8") → 1320 + 110 = **1430 mm (56 1/4")**

Total Height Calculation:

150 + 577 + 3 + 1430 = **2160 mm (85")**



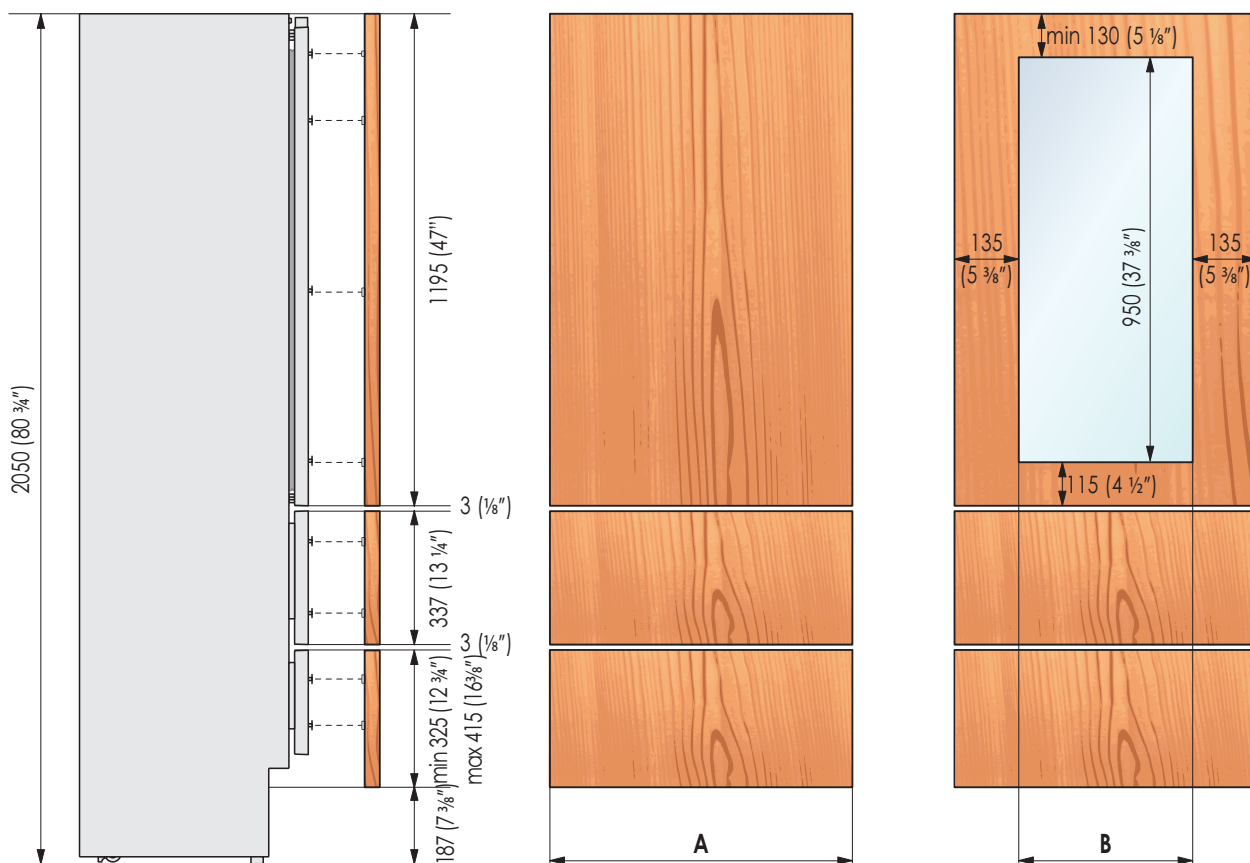
Panels Dimensions Two Bottom - Drawers (0H models)

Panels with width ranging between 18 mm (3/4 in) and 28 mm (1 1/8 in).

Door panels with weight max of 23 kg (51 lb) and drawer panels with weight max of 11kg (25 lb).

Provide installation of decorative panels during installation of the unit.

Series	Door/Drawer Width A	Door Cutout Width B
899	897 (35 1/4")	627 (24 3/4")
749	747 (29 3/8")	477 (18 3/4")
599	597 (23 3/4")	327 (12 7/8")



Examples of calculation

- Integration in a kitchen column of total height 2160 mm (85") and 150 mm (6") kickplate.
(NOTE: In calculating the adjustment foot is considered to 0).

Inner Drawer Calculation:

Kickplate 187 - 150 = 37 mm (1 1/2") → 325 + 37 = **362 mm (14 1/4")**

Upper Panel Calculation:

2160 - 2050 = 110 mm (4 3/8") → 1195 + 110 = **1305 mm (51 3/8")**

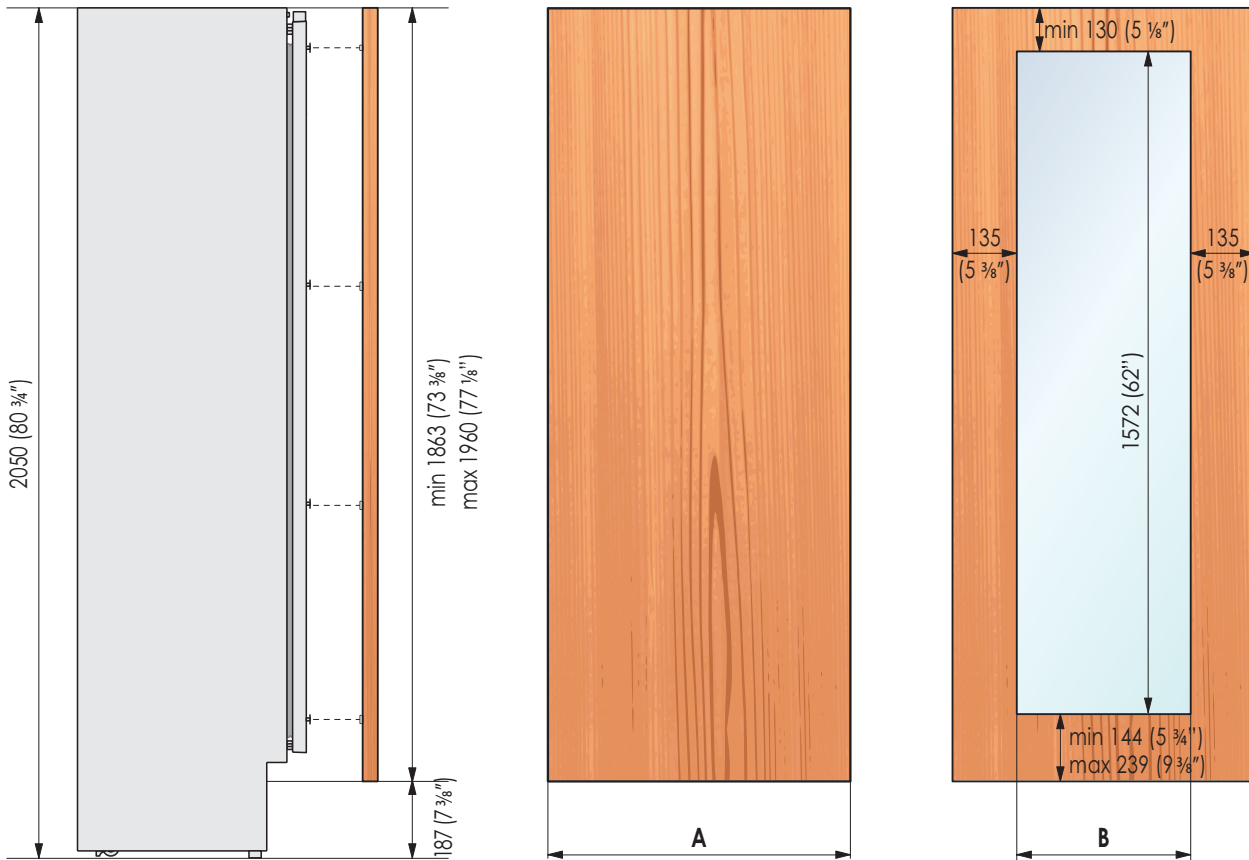
Total Height Calculation:

150 + 362 + 3 + 337 + 3 + 1305 = **2160 mm (85")**

Panels Dimensions Column Models (0F models)

Panels with width ranging between 18 mm (3/4 in) and 28 mm (1 1/8 in).
 Door panels with weight max of 34 kg (75 lb).
 Provide installation of decorative panels during installation of the unit.

Series	Door/Drawer Width A	Door Cutout Width B
899	897 (35 1/4")	627 (24 3/4")
749	747 (29 3/8")	477 (18 3/4")
599	597 (23 1/2")	327 (12 7/8")

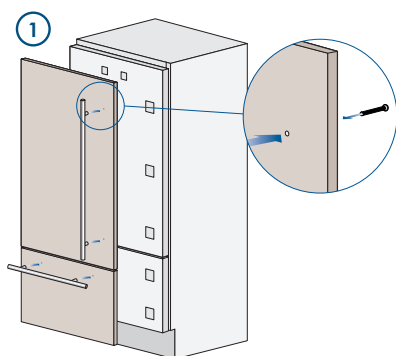


Mounting the handles

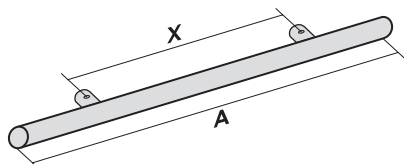
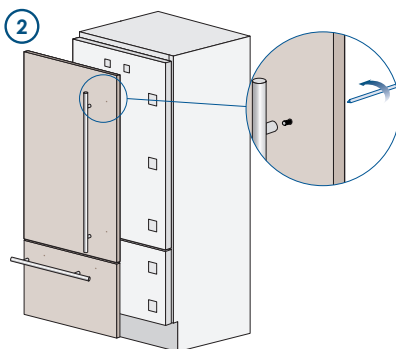
Handles will have to be mounted on the panels before they are applied to the fridge.

Operate as follows:

- Drill two holes on the back of the panels according to the table below ①.



- Place the handle on top of the holes and insert the screws through the panel and into the handle support ②.



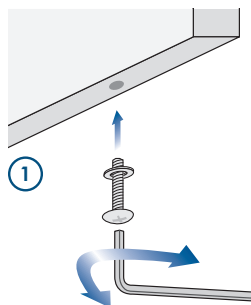
	Handle product code			
	HV	HO8	HO7	HO5
Length A	1104 mm (43 1/2")	794 mm (31 1/4")	644 mm (25 3/8")	494 mm (19 5/8")
Distance between fixing points X	900 mm (35 1/2")	480 mm (18 7/8")	490 mm (19 1/4")	340 mm (13 3/8")
Series	899 749 599	899	749	599

Mounting panels to the door and the drawer

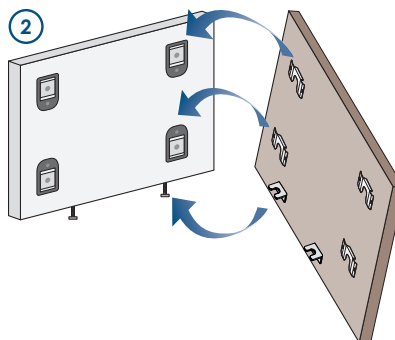
Once all brackets and small brackets have been applied to the panels, you can begin installing the bottom drawer.

Operate as follows:

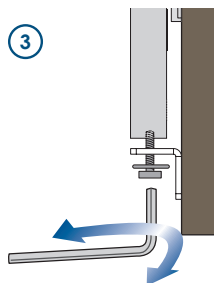
- Partially tighten the screw to the fixing ①.



- Hook the bottom drawer panel starting from the fixings on the bottom ②.

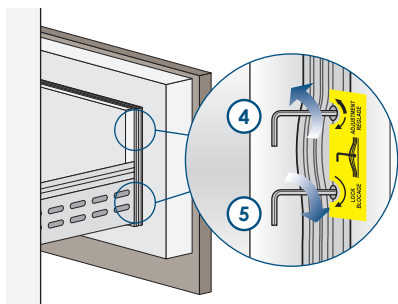


- It is now possible to align panels to adjacent cabinets in height using the lower alignment brackets, ③ tightening or untightening the screws into position as needed. With the screw slightly tightened, move the panel sideways to align it to the other panels on the unit or other adjacent structures.

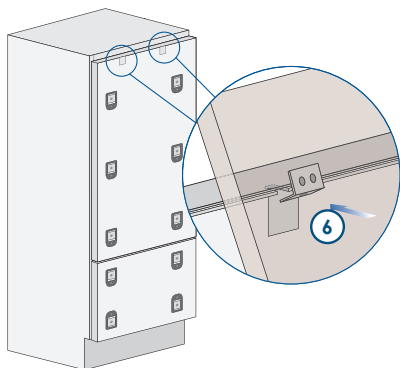


- Depth alignment: working from the inside of the drawer, after lifting up the magnetic seal, adjust the panel position so it is closer to or further away from the door using the holes ④ and then secure the panel using the holes ⑤.

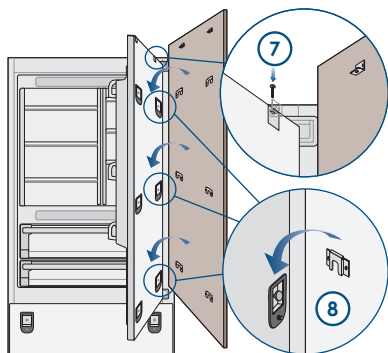
EN



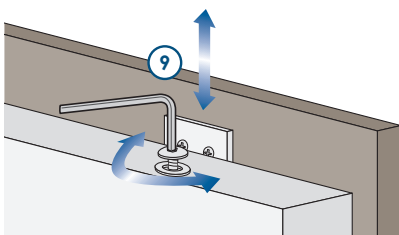
■ Hook the panel to the fixing devices starting from the top aligning brackets (6).



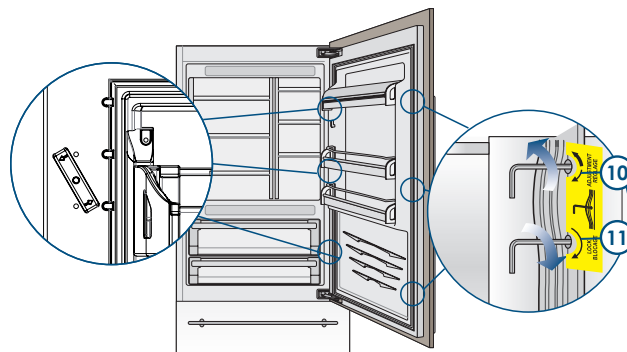
■ At this point, alignment between the panel and adjacent cabinets can be adjusted using the alignment brackets (7) and (8).



■ Vertical alignment: tighten or loosen the screw in the brackets to raise or lower the panel (9).



■ Depth alignment: working from the inside of the door, after lifting up the magnetic seal, adjust the panel position so it is closer to or further away from the door using the holes (10) and then fix the panel in position using the holes (11).



Once the front panel has been adjusted, check that the gasket has been repositioned correctly to assure the door/drawer are closing correctly and avoid operational errors of the unit.

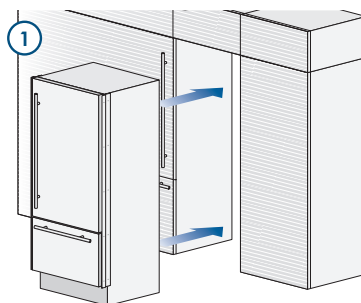
Installation

Built-in installation single appliance

For a built-in installation, to close gaps between the appliance and the adjacent cabinets, special side profiles and aluminum covering frames are provided.

Operate as follows:

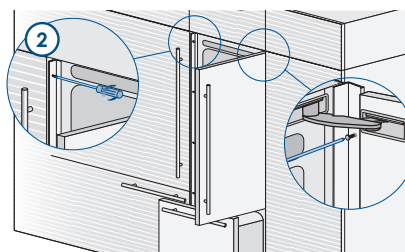
■ Push the appliance into the installation niche (1).



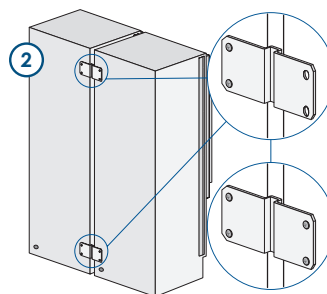
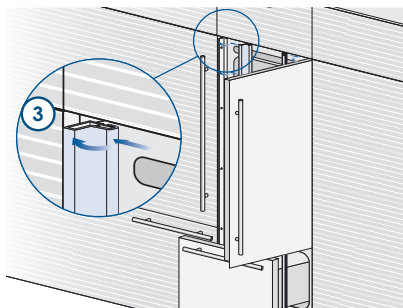
■ If the unit is to be installed inside a niche or within an enclosed structure, it is necessary to design a ventilation shaft at the back of the niche to assure proper ventilation at the back of the unit. A 5 mm gap is sufficient to prevent overheating. Always mount front panels on door and drawer before pushing the unit into its final position inside the niche or structure.

■ Secure the appliance to the adjacent cabinets by fixing to these the side profiles previously mounted on the appliance (2).

To make this operation easier keep the door and the drawer open.

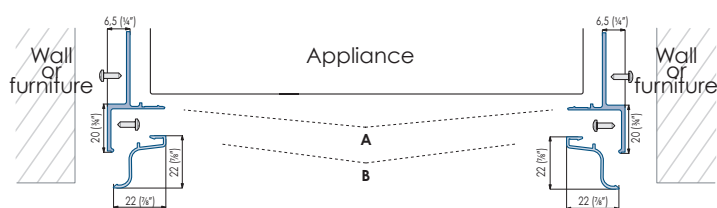


- Check the levelling of the appliance, adjusting its feet and wheels to correct it.
- Mount the profiles the covering frames: first insert them laterally and then push firmly until a "click" is heard (3).



- Place the two units side by side and join them at the front attaching the two profiles with the supplied screws (3). Attach the bracket on top of the units as per figure (4).

Side profiles mounting



- A Connecting element
- B Aluminium frame

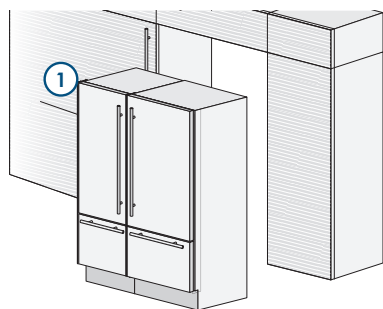
Built-in installation two or more appliances

Required accessories to be ordered separately:

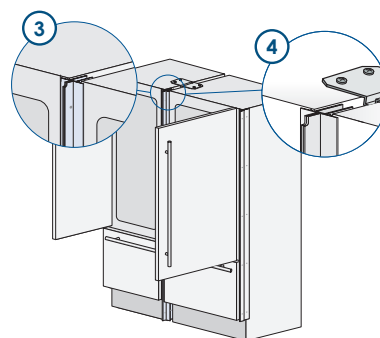
- Central connection Kit (KCC)
- Special side profiles and aluminum covering frames are provided for closing gaps between the appliance and the adjacent cabinets.

Operate as follows:

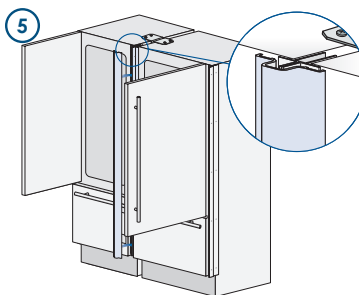
- Position the appliances in front of the installation area, leaving enough space to operate at their back (1).



- Move at the back of the appliances to mount the joining brackets: fix on side of the top and lower brackets to one of the appliances and subsequently to the other (2).



- Finish off by mounting the central cover frame onto the central profiles, by pushing it until a click is heard (5).

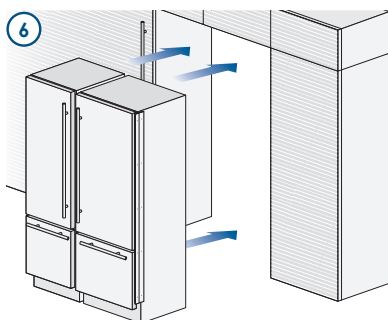


- Once completed the previous steps, push the units in their final position (6).

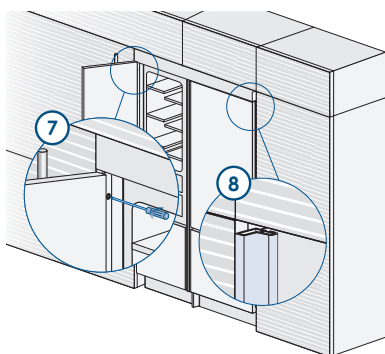
If the units are to be installed inside a niche or within an enclosed structure, it is necessary to design a ventilation shaft at the back of the niche to assure proper ventilation at the back of the unit. Always mount front panels on door and drawer before pushing the unit into its final position inside the niche or structure.

- Check the levelling of the appliance, adjusting its feet and wheels to correct it.
- Secure the appliance to the adjacent cabinets by fixing to these the side profiles previously mounted on the appliance (7). To make this operation easier keep the door and the drawer open.

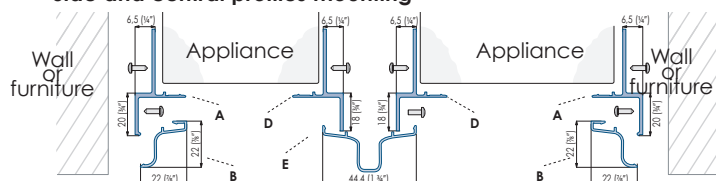
- Mount the covering frames onto the profiles, first insert



them laterally and then push firmly until a "click" is heard (8).



Side and central profiles mounting



- A Connecting element
- B Aluminium frame
- D Connecting element
- E Aluminium frame

Free-standing installation two or more appliances

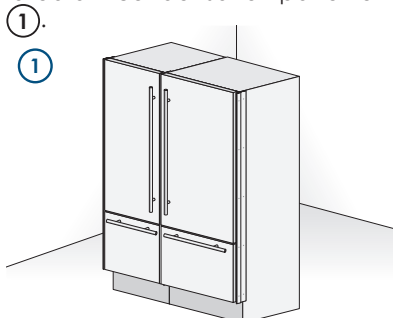
Required accessories to be ordered separately:

- Central Connection Kit (KCC)
- Freestanding Kit

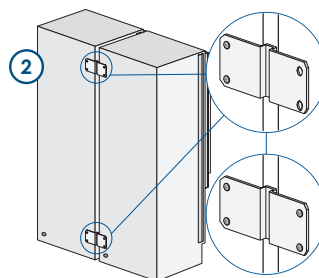
Aluminium profiles can be used to close the spaces between the appliance and adjacent structures.

Operate as follows:

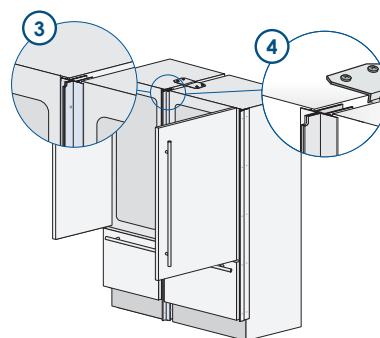
- Position the appliances in front of the installation area, leaving enough space to operate at their back.
- Peel off the self adhesive protection and apply the insulated anticondensation panel to the side of one appliance (1).



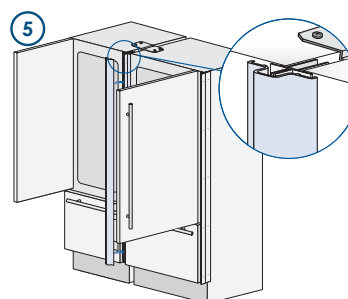
- Move at the back of the appliances to mount the joining brackets: fix one side of the top and lower brackets to one of the appliances and subsequently to the other (2).



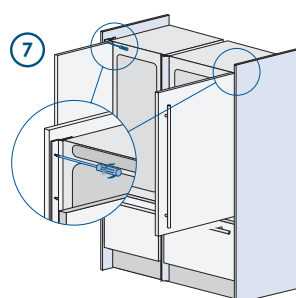
- Place the two units side by side and join them at the front attaching the two profiles with the supplied screws (3). Attach the bracket on top of the units as per figure (4).



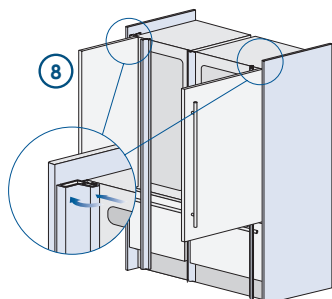
- Finish off by mounting the central cover frame onto the central profiles, by pushing it until a click is heard (5).



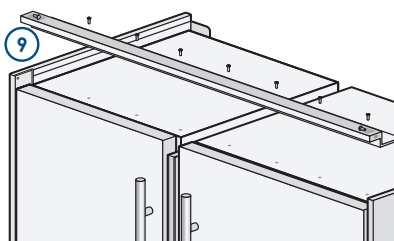
- Attach the side panels to the unit, mounting them on the side profiles (7) pre-mounted on the unit.



- Attach the aluminum cover (8) to each side profile, pressing onto them until they 'click' together.

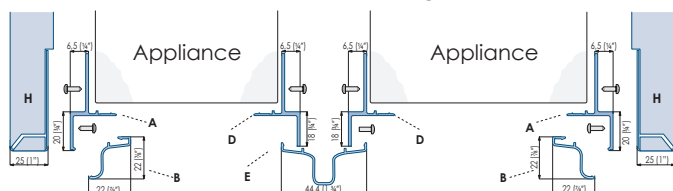


- Mount the top panel (9) on top of the unit, using the screws provided with the kit.



- Adjust the height of the unit with the leveling feet and the back wheels.

Side panels and central profile mounting



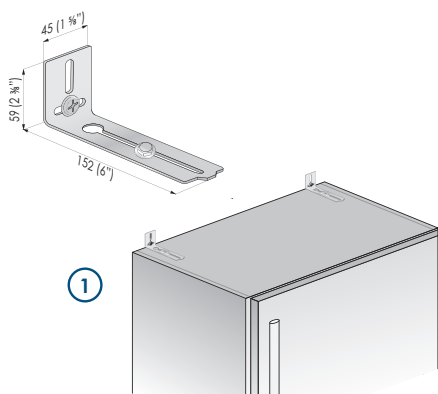
- D Central Connection
- E Central covering and connection system
- G Lateral connecting element
- H Side panel

Anti-tipping safety assembly

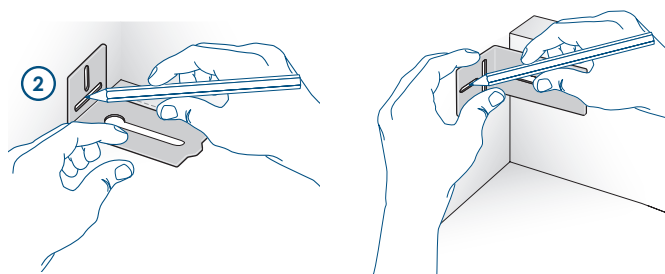
To prevent the appliance from tipping over an extra-long kit is available up on request if the appliance needs to remain distanced from the wall, it is mandatory to install two brackets on the upper part of the appliance for fixing it securely to the wall.

Operate as follows:

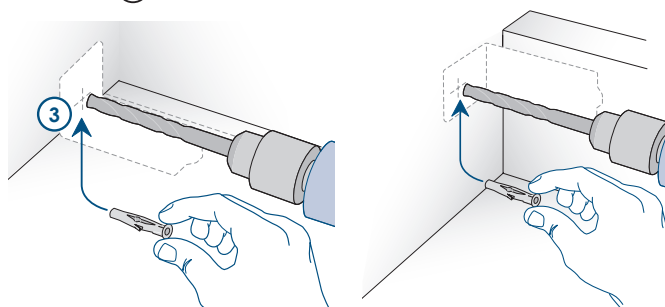
- The brackets should be applied as illustrated using the provided screws and expansion plugs. Place a bracket on the top of the appliance in correspondence to the fixing holes and against the wall (1).



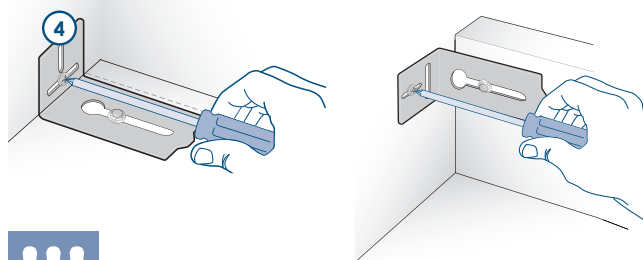
- Mark up the holes position on the wall (2).



- Drill the wall with an 8 mm (3/8") bit and insert the expansion plug (3).



- Reposition the bracket and fix it first to the cabinet and then to the wall (4).



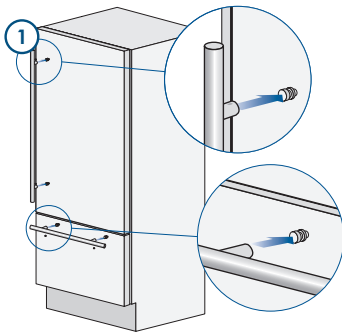
To avoid danger of the appliance tipping over it is mandatory to secure the appliance to the wall by means of two special brackets.

Mounting the handles on stainless front

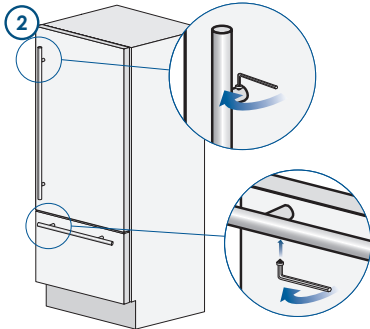
To mount the handles onto the door and the drawer operate as follows:

Operate as follows:

- Insert the two handle spacers onto the supports already available on the door and the drawer ①.



- Screw in the Allen screws available on the handle ②.

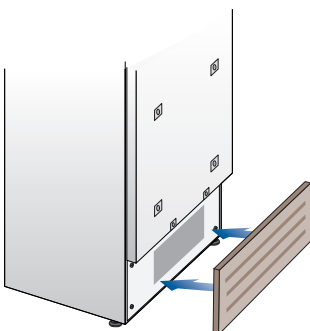


The screws must be tightened in by means of a 2.5 mm (1/8") hex wrench.

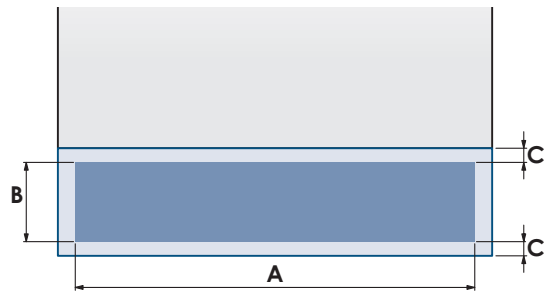
Ventilation


Integrated and Classic Series

A forced air system assures ventilation through a grille positioned in the lower front part of the unit. If the kitchen design includes a kickplate, the latter has to be punched in order to maintain a satisfactory air flow, as described in the drawing.

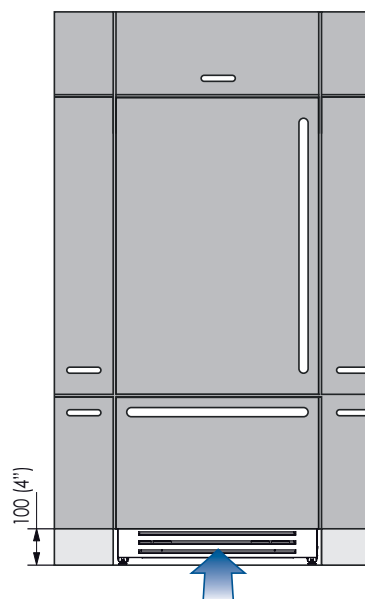


Holes can be in any shape and size, as long as the total area of the punched part equals 50% of the kickplate area. In this case, to guarantee a better air flow, it is advisable to remove the front grille included with the unit. The grille is secured to the unit with magnetic plates and can be easily removed even by the end user, to provide for regular cleaning procedures and remove dust. If the grille is partially covered by the kitchen kickplate, it is advisable to remove the grille in order to provide for a better airflow.



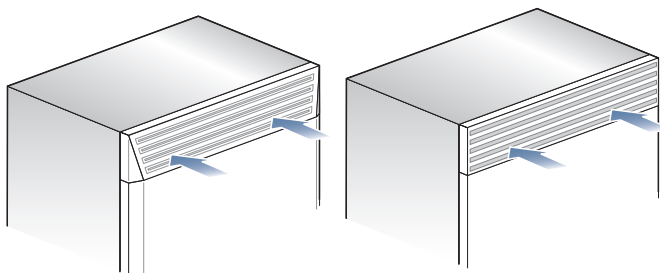
	899 Series	749 Series	599 Series
A	860 (33 7/8")	740 (29 1/8")	560 (22")
B	> 100 (4")		
C	10 (3/8")		
	50%		

The air intake and outlet must not be blocked or covered in any way. They also need to be dusted/cleaned on a regular basis.



StandPlus and X-Pro Series

Ventilation is insured by a forced air system through a grille located in the upper part of the appliance. This grille should never be covered by panels or any other devices that could reduce its efficiency. Please refer to page 5-6 to ensure correct air circulation.



Post installation control

- ☑ Check that the front levelling feet have been properly installed.
- ☑ Check that the connection to the water system does not have any leaks and that the closing tap is easily accessible.
- ☑ Check that the electrical connection is correctly installed and that the multipole switch and socket are easily accessible.
- ☑ Check the perfect alignment of the appliance with adjacent structures.
- ☑ Check that all adhesive tape and external or internal temporary protective devices have been removed.
- ☑ Check the perfect closing of the doors and the smooth sliding of the drawers and shelves.

Start up

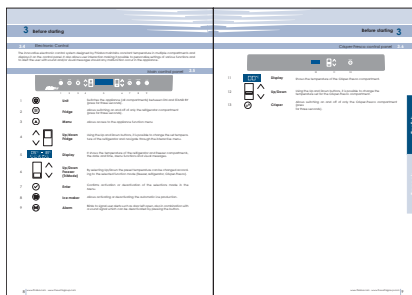
- To start the appliance, connect the plug to the electrical mains: at this point, when opening the door, the control panel will usually visualize the message "Stand by", and all the panel keys be off



- To turn on all the appliance compartments, press the Unit button for three seconds. The display will show the message "Initial test" for approx. 2 minutes. After this phase the compressors will start up and remain on until the default temperature set up in the factory is reached. Do bear in mind that this condition could last several hours. If the appliance is provided with an Ice Maker, prior to switching it on make sure that the water filter cartridge is installed, then fill the water system. To this purpose switch off the Ice Maker and perform a manual clean procedure. At the end switch the Ice Maker on again by touching the button.



- For further information about the appliance operation, refer to the User Manual.



If at the first start - up the message Stand by does not appear, but other messages appear, such as Fridge too warm, Fresco too warm, Freezer too warm, or sound signals are activated, it means that the appliance has already started the cooling process. If this is the case, deactivate any possible acoustic signals by pressing the Alarm button, close the door and wait until the set temperature is reached.



It is necessary to let the unit reach the correct temperature before foods are stored inside.

EN

Baron Industries srl is constantly researching new way to improve the features and the design of their products, therefore models are often upgraded and reviewed.

B09000704 A
24-08-2016