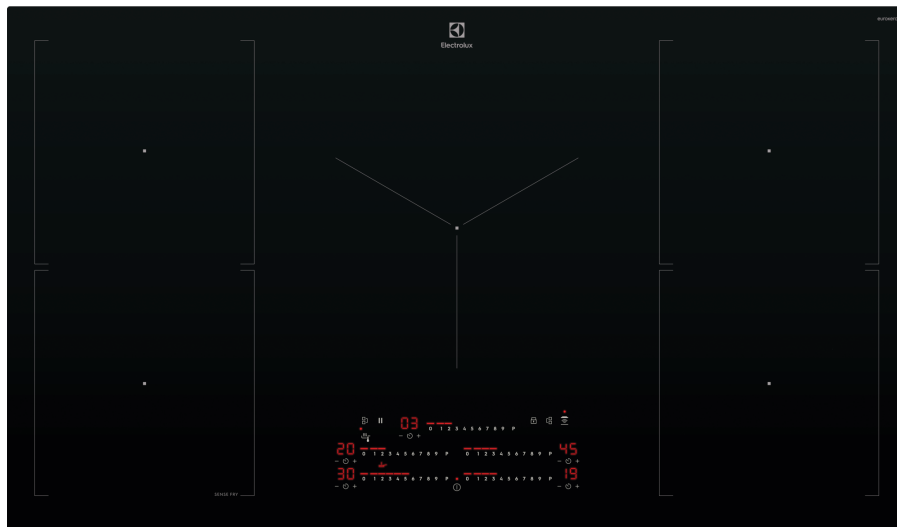


90cm 5 zone induction cooktop with SenseFry, MaxiZone, DoubleBridge zone and Hob2Hood capability.
Equipped with 9 power levels plus PowerBoost



Product Details

FEATURES

SenseFry

MaxiZone

DoubleBridge function

Hob2Hood technology

Touch and slide controls
Touch the control bar at the
necessary heat setting

PowerBoost
PowerBoost gives you an
intense heat boost to bring
water to the boil quickly.

STOP + GO function

Timer and minute minder

Auto pot detection

Safety child lock

BENEFITS

3 YEAR WARRANTY

Because peace of mind should last as long as great design, this product has three years of trusted Electrolux support. *Available for purchases after 1 March 2026.

EVEN FRYING. AUTOMATICALLY.

SenseFry keeps the ideal temperature beneath your pan, so everything from golden pancakes to juicy steaks cooks evenly no guesswork required.

TWICE THE COOKING SPACE

Need extra space? DoubleBridge combines two zones into one larger surface, balancing heat and timing automatically. Its ideal for plancha grill plates, large pots and roasting pans.

HANDS-FREE HOOD

The hoods fan speed adjusts automatically while you cook, keeping the air clean and fresh so you can focus on your favourite dishes.

SEAR. STIR-FRY. BOIL.

Instant heat when you need it. PowerBoost delivers a quick burst of heat for rapid boiling, searing, and stir-frying, then automatically adjusts to keep your cooking steady.

TIMED TO PERFECTION

Set individual timers for each cooking zone that automatically switch off when time is up. Perfect for multi-tasking, whether preparing for dinner party guests or a family gathering.

LOCK FOR PEACE OF MIND

Keep your kitchen safe with the Lock function. It disables the cooktop controls to prevent accidental activation, ideal for homes with curious little hands or when cleaning the surface.

Specifications

PRODUCT PROFILE

Domestic warranty details (yrs)	3
Cooktop type	induction
Materials/Colour	black ceramic glass
Removable trim (for cleaning)	No
Wok included designed to fit cooktop	No

CONTROLS

Controls of Cooktops	Touch and Slide controls
Position of controls	right front
Functions of Cooktops	stop and go,timer,automatic switch off,Hob2Hood,PowerBoost,Bridging,Pot detection,SenseFry,MaxiZone
Features of Cooktop	safety cut off,overheating protection,minute minder,hot surface indicator,Hob2Hood,Bridge zone,SenseFry,safety child lock,MaxiZone,function lock

DIMENSIONS

Total product height (mm)	51
Total product width (mm)	900
Total product depth (mm)	520
Cut out width (mm)	880
Cut out depth (mm)	490
Cut out height (mm)	44

ELEMENTS/BURNERS

LEFT FRONT ZONE

Left front zone	Bridge
Left front Watts	2300
Left front boost watts	3200
Left front diameter mm	210

CONTROLS

Timer of Cooktop	programmable 99min,auto off,countdown,Minute minder
------------------	---

LEFT REAR ZONE

Left rear zone	Bridge
----------------	--------

Left rear watts	2300
-----------------	------

Left rear diameter mm	210
-----------------------	-----

RIGHT FRONT ZONE

Right front zone	Bridge
------------------	--------

Right front Watts	2300
-------------------	------

Right front diameter mm	210
-------------------------	-----

ELECTRICAL SPECIFICATIONS

Connected load KW	7.35
-------------------	------

Maximum current rating (amps)	32
-------------------------------	----

Type of connection	hardwired
--------------------	-----------

CENTRE FRONT ZONE

Centre front zone	MaxiZone
-------------------	----------

Centre front Watts	1800-3500
--------------------	-----------

Centre front diameter mm	280
--------------------------	-----

RIGHT REAR ZONE

Right rear zone	Bridge
-----------------	--------

Right rear watts	2300
------------------	------

Right rear diameter mm	210
------------------------	-----

SHIPPING

Shipping Volume (m3)	0.0708
----------------------	--------

Shipping Weight (Kg)	17.6
----------------------	------

Pack Dimensions Height (mm)	118
-----------------------------	-----

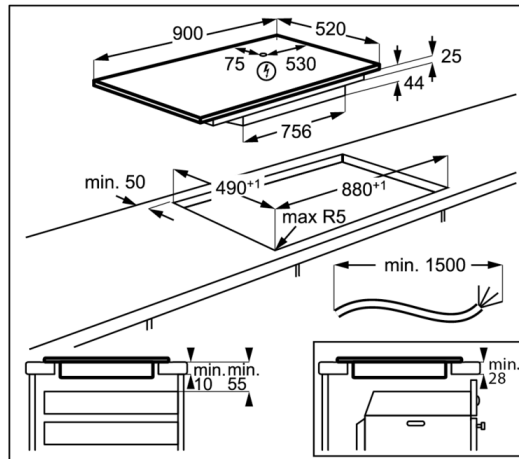
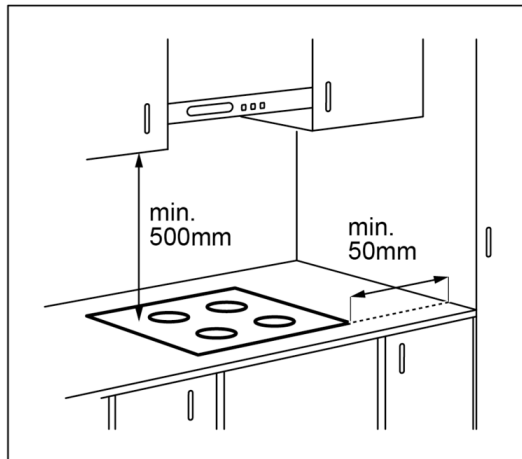
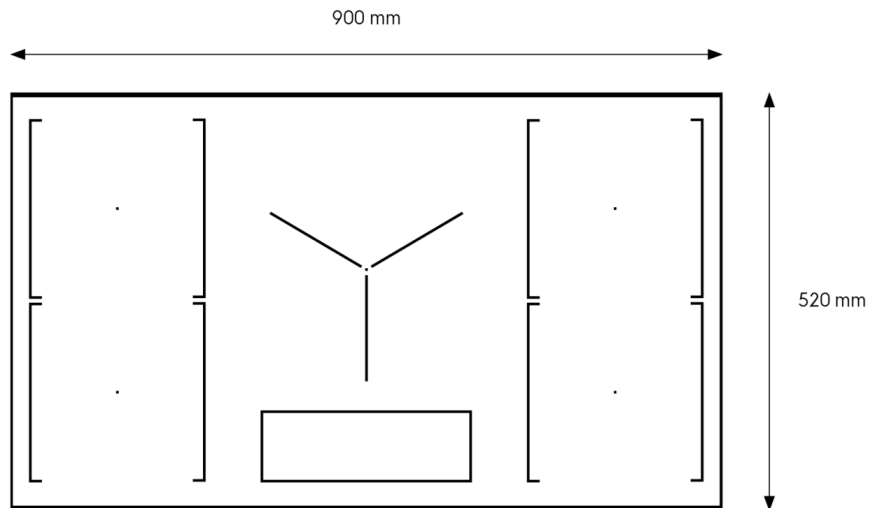
SHIPPING

Pack Dimension Width (mm)	1000
------------------------------	------

Pack Dimension Depth (mm)	600
------------------------------	-----

Dimensions

Model:
EHI9575BF



Terms and Conditions

IMPORTANT

This is a guide of product dimensions only. For complete installation instructions, refer to the manual provided with product.

PRODUCT INFORMATION

The descriptors and illustrations in this publication apply to the specific products and models described as at the date of issue. Under our policy of continuous product development, product specifications may change without notice. Prospective purchasers should therefore check with their retailer to ensure this publication correctly describes the products that are being offered for sale. All information supplied is to be used for general reference purposes only and is on the understanding that Electrolux Home Products Pty Ltd (Australia) and Electrolux (NZ) Ltd (New Zealand) will not be liable for any loss, liability or damage of whatever kind arising as a result of reliance on such information. Colours of products illustrated are as close as printing limitations allow. Electrolux will at all times comply with its obligations pursuant to law including Trade Practices (Australian Consumer Law) Act and Regulations.

WARRANTY

This warranty only applies to Appliances purchased and used in Australia or New Zealand and used in normal domestic applications and is in addition to (and does not exclude, restrict, or modify in any way) any non-excludable statutory warranties in Australia or New Zealand. All warranties are subject to the conditions set out in the warranty card accompanying the product when purchased.

ELECTROLUX HOME PRODUCTS AUSTRALIA

telephone: 1300 363 640

fax: 1800 350 067

email: customercare@electrolux.com.au

web: www.electrolux.com.au

ELECTROLUX HOME PRODUCTS NEW ZEALAND

telephone: 09 573 2230

fax: 09 573 2221

email: customercare@electrolux.co.nz

web: www.electrolux.co.nz