



## Combined oven with steamer

OCS66GSH.AU

### Craft

Series 6

Installation: Built-in

Graphite black

Combined steam oven

Oven volume: 71 l

Fully extendable telescopic guides on two levels

### Construction and performance

- Oven type: Combined steam oven

### Use and flexibility

- Oven illumination: Above and on side
- Water tank volume: 1.2 l
- Telescopic slides: Fully extendable telescopic guides on two levels
- Grill rack: 1 pcs
- Baking trays: 1 x steam tray, 1 x steam tray 1/1 width, 2 middle baking pans
- Rotating grill spit: No
- Door hinge: Soft opening and closing

### Interaction and control

- Buttons: Large and tactile
- ConnectLife: Monitoring and control in the palm of your hand: ConnectLife

### Design and integration

- Door material: Ceramic glass
- Colour of the product: Graphite black
- Support feet: 4 adjustable feet
- Min. niche width: 560 mm
- Min. niche height: 590 mm
- Depth (incl. wall spacing): 550 mm

### Safety and maintenance

- Ventilator system: Active cooling of oven and door glass
- Door surface temperature: Cool Door
- Cleanability door glasses: Easy to remove door glasses for cleaning

### Technical data

- Energy consumption hot air: 0.52 kWh
- Voltage (V): 220-240 V
- Fuse: 16
- Frequency: 50 Hz
- Time needed for the appliance to reach the applicable low power mode or condition: 15 min
- Power consumption in networked standby (status display excluded - WiFi enabled): 2 W
- Power consumption in standby mode - status display excluded: 0.5 W

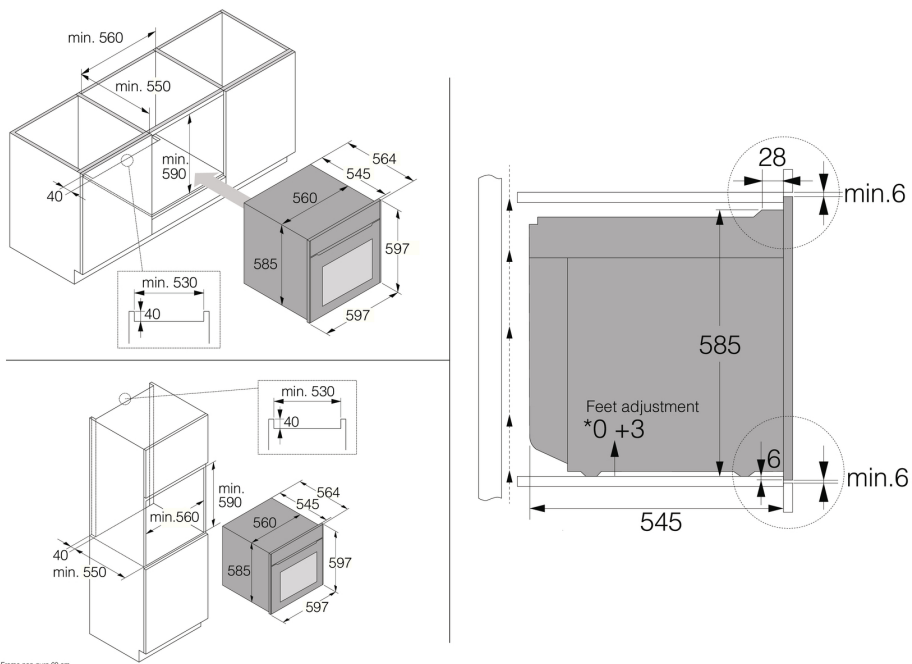
### Dimensions

- Height: 597 mm
- Width: 597 mm
- Depth: 564 mm
- Length of electrical cord: 2000 mm
- Net weight: 44.2 kg

### Logistic information

- Packaging height: 660 mm
- Packaging width: 640 mm

- Packaging depth: 695 mm
- Gross weight: 47.4 kg
- Product code: 746228
- EAN code: 3838782996214



B204 Frame non-gyro 60 cm