

SHT600X

smeg 60cm telescopic rangehood



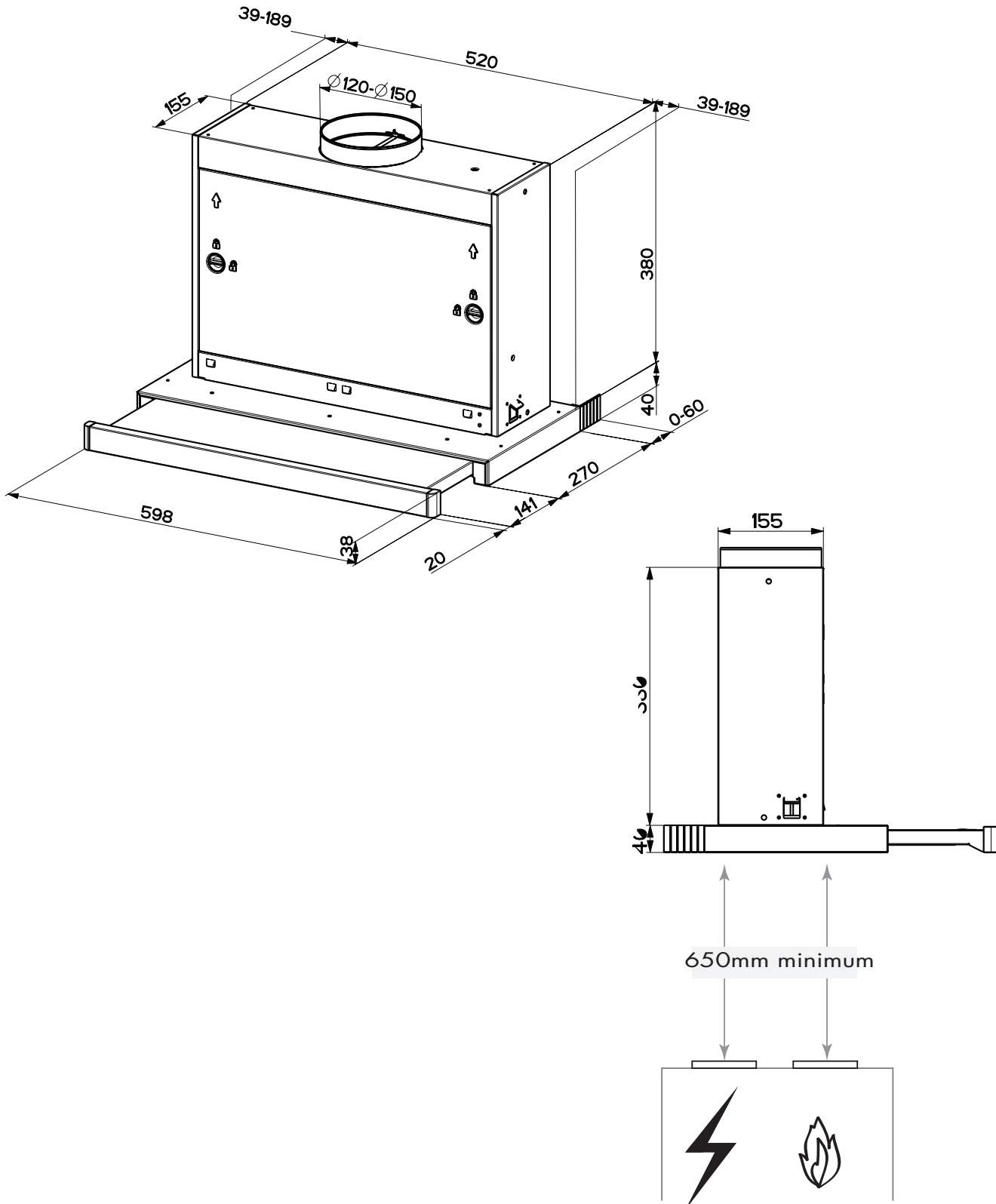
<b>EAN</b>	9345025000620
<b>finish</b>	stainless steel front rail
<b>dimensions</b>	600mm wide
<b>installation</b>	integrated telescopic
<b>motor</b>	2 x 250W
<b>air extraction</b>	<ul style="list-style-type: none"> <li>• duct direct to atmosphere — 150mm diameter ducting required</li> <li>• recirculate to kitchen — 125mm ducting required</li> </ul>
<b>capacity</b>	660m <sup>3</sup> /hr (IEC 61591: P0) 620m <sup>3</sup> /hr (IEC 61591: P1)
<b>noise rating</b>	50–67 dBA (IEC 60704-3)
<b>illumination</b>	2 X 20W halogen globes
<b>speeds</b>	three + intensive*
<b>maximum current</b>	0.17 amps
<b>power supply</b>	220–240V, 50Hz
<b>supplied</b>	2 x mesh grease filters
<b>optional</b>	charcoal filter, Part # KITFC156
<b>weight</b>	14kg gross, 12kg net
<b>package dimensions</b>	365x680x505mm

p = 0 → airflow direct out of motor housing  
p = 1 → airflow after 1m & 90° bend + 1m

**\*INTENSIVE:** the Intensive Speed function activates maximum air extraction for 10 minutes to meet the needs heavy-duty cooking, such as stir-fry.

SHT600X

smeg 60cm telescopic rangehood



**PLEASE NOTE: drawings are not to scale. They are to assist only.**