

Omega 90cm fixed rangehood with incandescent lights and stainless steel finish.

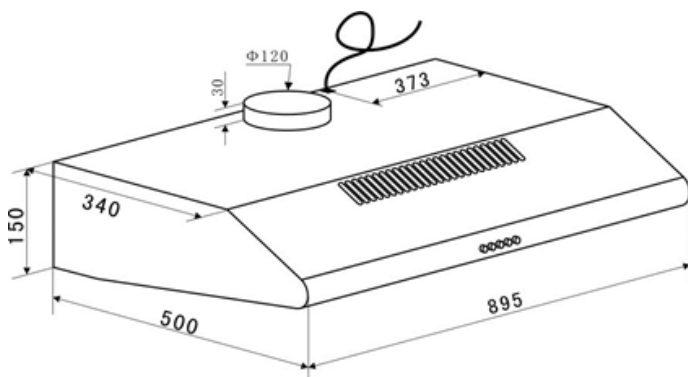


### Technical details

Profile type: Fixed  
 Size: 90cm  
 Installation type: Built-in to a cupboard  
 Airflow: 345m<sup>3</sup>/hr NET  
 Number of motors: 2  
 Watts of motor: 100W  
 Speeds: 3  
 Washable aluminium filter: 3  
 Carbon filter: Optional (ORCF110 X 2)  
 Filtration: 3 aluminium, removable and washable filters  
 Lighting: 2 x 40W incandescent  
 Noise level (DB): 57.9dBA  
 Air extraction: Ducted or recirculating  
 Maximum current: 3 pin plug  
 Connection: 220 - 240V, 50Hz  
 Warranty: 24 months parts and labour

### Aesthetics

Finish: Brushed stainless steel  
 Front rail: No  
 Extension flue: No  
 Control type: Backlit push buttons



### Dimensions/weight

Overall dimensions (mm): 150h x 900w x 500d  
 Chimney height (mm): N/A  
 Flue diameter: 120mm  
 Net weight: 9kg



RECIRCULATION

Key features	Benefits
<b>90cm width</b>	Great for wide spaces and large cooktops.
<b>Recirculation</b>	A recirculating rangehood draws the air inside the appliance, cleans it and pushes it through the front panel. Because there is no ducting required, these rangehoods are very easy to install.
<b>Washable filters</b>	These removable filters are easy to maintain and keep clean.

NB: Drawings are not to scale - they are to assist only. WARNING: technical specifications and product sizes can be varied by the manufacturer without notice. Cut-outs for appliances should only be by physical product measurements. The above information is indicative only.