

MODEL QBE



52 CM



25 YEAR
BENCHTOP
WARRANTY



5 YEAR STEEL
WARRANTY



SYMMETRICAL
DESIGN



STORAGE

PRODUCT INFORMATION

FINISH

- Available in Imperia Black (IB), Torano Statuario (TS) or Cosmopolita Grey (CG)

FEATURES

- The Cube is an innovative, mobile storage device to fit the QAP outdoor kitchens
- Compact design ingeniously stows away under the BBQ
- Heavy duty wheels so it can be stored underneath the bench and moved alongside the BBQ for extra working space, or as a servery at table height
- Removable board with porcelain stone surface to match the outdoor kitchen benchtop
- Perfect for general storage of your BBQ utensils
- Storage for gas bottle
- The door folds away with 270° hinge
- Made from galvanised and powder coated steel for extra longevity
- One adjustable or removable shelf
- symmetrical design
- reversible door hinge



Pictured: QAP19FG-TS with x2 QBE, ABBQM3 & ABC1B

PAGE 1 OF 3
AR13012022

DISCLAIMER

Eurolinx PTY LTD, is continually seeking ways to improve the design specifications, aesthetics and production techniques of its products. As a result alterations to our products and designs take place continually. Whilst every effort is made to produce information and literature that is up to date, this brochure should not be regarded as an infallible guide to the current specifications, nor does it constitute an offer for the sale of any particular product. Product dimensions indicated in our literature is indicative only. Actual product only should be used to define dimension cut outs. Distributors, and retailers are not agents of Eurolinx and are not authorized to bind Eurolinx by any express or implied undertaking or representation.

FOLLOW US ON:  [instagram.com/artusi_appliances](https://www.instagram.com/artusi_appliances)

 www.linkedin.com/company/eurolinx-pty-ltd-t-a-lve/

Australia National Telephone Number 1300 (694 583) New Zealand Telephone Number 64 3 344 5913
Artusi showroom hours: Tuesday to Friday - 9am-5pm, Saturday - 10am-4pm, Sunday and Monday - closed
* Melbourne showroom hours: Tuesday to Saturday - 10am-4pm

[artusi.com.au](https://www.artusi.com.au)

NSW & ACT (Head Office)
48-50 Moore Street
Leichhardt
F 02 8569 4699

QLD
1/42 Cavendish Road
Coorparoo
F 07 3397 0850

WA & NT
Unit 10/55 Howe Street
Osborne Park
F 08 9201 9188

New Zealand
PO Box 11,160
Sockburn Christchurch
F 03 344 5906

MODEL QBE

ASCALE STYLES



IMPERIA BLACK (IB)

A basal-tine rock is of volcanic origin created from rapidly cooled lava. This stone presents a salt and pepper design which is ideal for functional work surfaces.

Because of the exceptional mineral properties, Imperia Black is suitable for both indoor and outdoor applications. The dark finish can bring any space a touch of luxury.

This product offers it self to multiple uses in a space due to the continuity of each piece and because it's a calm, elegant and quiet stone. Essentially a single color, it still features the nuances of natural stone.

TORANO STATUARIO (TS)

Without a doubt one of ASCALE's most popular styles. The Statuario marble is an precious rock of Italian origin that is identified by its light colour and by its grayish veins, very homogeneous, with very fine and parallel lines.

Due to its mineral properties and its natural beauty, it is very appreciated in architecture and as a aesthetic in any application

Not uncommon that it is used in interiors, bathrooms, decoration, cladding and even flooring.

COSMOPOLITA GREY (CG)

Worktops with cement style finishes are extremely popular products for busy, practical and outdoor spaces that need balance and sobriety in their designs. This type of finish fosters a feeling of continuity in any space

Cosmopolita Grey is extensively used in urban and industrial-inspired interior designs for homes.

Plus, the gray finish can make any space look instantly more elegant.

DISCLAIMER

Eurolinx PTY LTD, is continually seeking ways to improve the design specifications, aesthetics and production techniques of its products. As a result alterations to our products and designs take place continually. Whilst every effort is made to produce information and literature that is up to date, this brochure should not be regarded as an infallible guide to the current specifications, nor does it constitute an offer for the sale of any particular product. Product dimensions indicated in our literature is indicative only. Actual product only should be used to define dimension cut outs. Distributors, and retailers are not agents of Eurolinx and are not authorized to bind Eurolinx by any express or implied undertaking or representation.

FOLLOW US ON:  [instagram.com/artusi_appliances](https://www.instagram.com/artusi_appliances)

 www.linkedin.com/company/eurolinx-pty-ltd-t-a-ilve/

Australia National Telephone Number 1300 (694 583) New Zealand Telephone Number 64 3 344 5913
Artusi showroom hours: Tuesday to Friday - 9am-5pm, Saturday - 10am-4pm, Sunday and Monday - closed
* Melbourne showroom hours: Tuesday to Saturday - 10am-4pm

[artusi.com.au](https://www.artusi.com.au)

NSW & ACT (Head Office)
48-50 Moore Street
Leichhardt
F 02 8569 4699

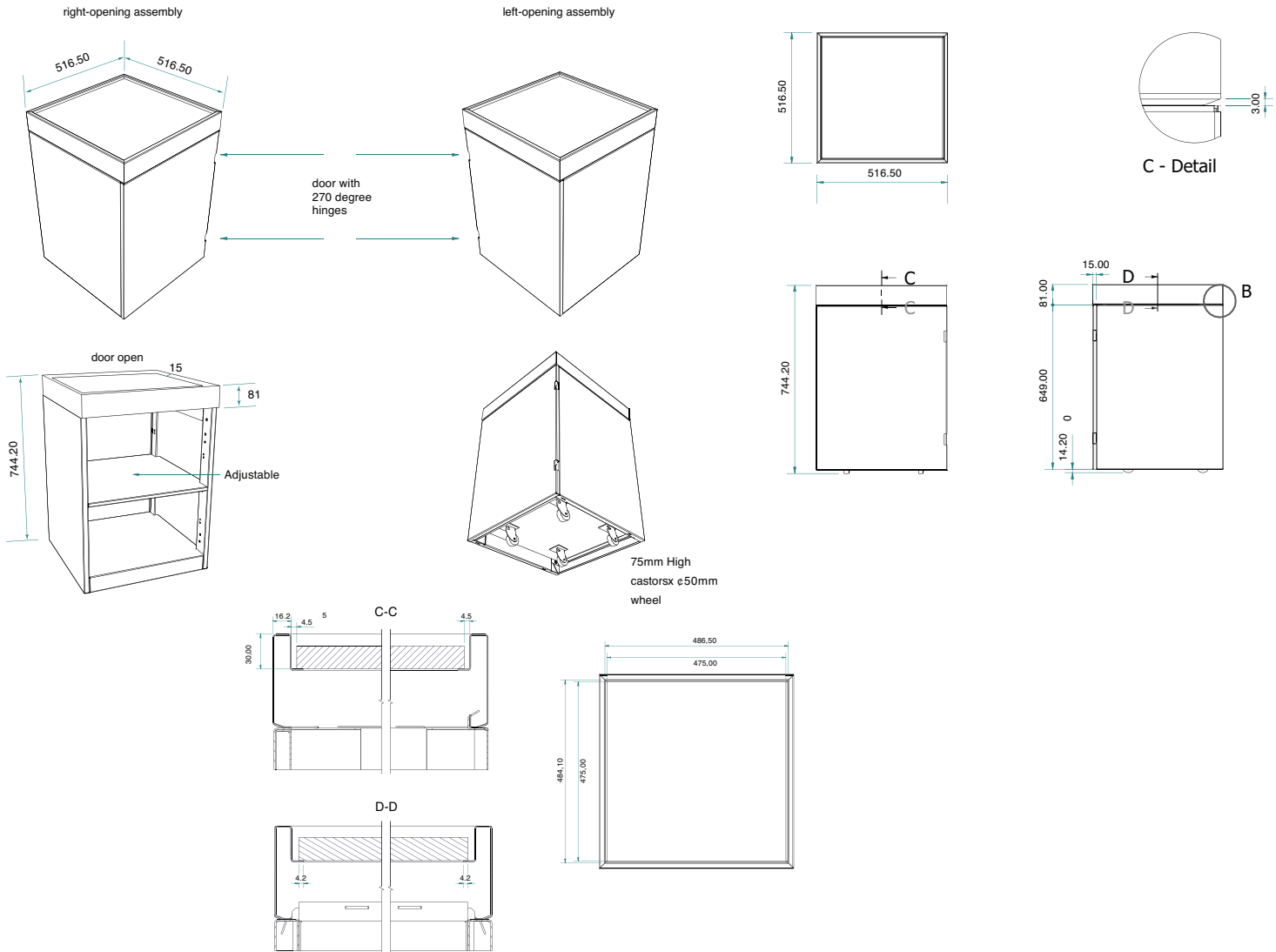
QLD
1/42 Cavendish Road
Coorparoo
F 07 3397 0850

WA & NT
Unit 10/55 Howe Street
Osborne Park
F 08 9201 9188

New Zealand
PO Box 11,160
Sockburn Christchurch
F 03 344 5906

MODEL QBE

TECHNICAL DIAGRAM



NB: drawings are not to scale — for the most accurate technical information you should refer to the actual product

Designed exclusively for ARTUSI by QUADRO

PAGE 3 OF 3
AR13012022

DISCLAIMER

Eurolinx PTY LTD, is continually seeking ways to improve the design specifications, aesthetics and production techniques of its products. As a result alterations to our products and designs take place continually. Whilst every effort is made to produce information and literature that is up to date, this brochure should not be regarded as an infallible guide to the current specifications, nor does it constitute an offer for the sale of any particular product. Product dimensions indicated in our literature is indicative only. Actual product only should be used to define dimension cut outs. Distributors, and retailers are not agents of Eurolinx and are not authorized to bind Eurolinx by any express or implied undertaking or representation.

FOLLOW US ON: [instagram.com/artusi_appliances](https://www.instagram.com/artusi_appliances)

www.linkedin.com/company/eurolinx-pty-ltd-t-a-lve/

Australia National Telephone Number 1300 (694 583) New Zealand Telephone Number 64 3 344 5913
Artusi showroom hours: Tuesday to Friday - 9am-5pm, Saturday - 10am-4pm, Sunday and Monday - closed
* Melbourne showroom hours: Tuesday to Saturday - 10am-4pm

[artusi.com.au](https://www.artusi.com.au)

NSW & ACT (Head Office)
48-50 Moore Street
Leichhardt
F 02 8569 4699

QLD
1/42 Cavendish Road
Coorparoo
F 07 3397 0850

WA & NT
Unit 10/55 Howe Street
Osborne Park
F 08 9201 9188

New Zealand
PO Box 11,160
Sockburn Christchurch
F 03 344 5906