

54CM FREESTANDING COOKER

MODEL AFDE547OW



24 MONTH WARRANTY



54CM



TRIPLE GLAZING



4 ZONES



BELL TIMER

GRILL



25L OVEN CAPACITY



2 SHELF POSITIONS

MAIN OVEN



56L OVEN CAPACITY



5 SHELF POSITIONS



PRODUCT INFORMATION

OVEN FEATURES

- white enamel
- adjustable feet
- oven heat indicator
- thermostat 50–250°C
- mechanical timer
- removable door

FUNCTIONS

- 7 functions — upper+lower heat (conventional cooking), electric grill, base heat, fan grill, fan assisted, fan+base heat, fan + light

SAFETY

- triple-glazed glass door

CAPACITY & INTERIOR

- oven capacity: 56 litres gross
- grill capacity: 25 litres gross
- 5 shelf heights (oven)
- 2 shelf heights (grill)

ACCESSORIES

- baking tray, 2x chrome-wire shelves, chrome side rack supports, heat-resistant tray handles

COOKTOP ZONES

- four EGO plates —
 - 2 x 145mm diameter, 1.0kW
 - 1 x 180mm diameter, 1.5kW
 - 1 x 180mm diameter, 2.0kW

DISCLAIMER

Eurolinx PTY LTD, is continually seeking ways to improve the design specifications, aesthetics and production techniques of its products. As a result alterations to our products and designs take place continually. Whilst every effort is made to produce information and literature that is up to date, this brochure should not be regarded as an infallible guide to the current specifications, nor does it constitute an offer for the sale of any particular product. Product dimensions indicated in our literature is indicative only. Actual product only should be used to define dimension cut outs. Distributors, and retailers are not agents of Eurolinx and are not authorized to bind Eurolinx by any express or implied undertaking or representation.



EAN 9347777000453

AR170521

FOLLOW US ON: [instagram.com/artusi_appliances](https://www.instagram.com/artusi_appliances)

www.linkedin.com/company/eurolinx-pty-ltd-t-a-llve/

Australia National Telephone Number 1300 (694 583) New Zealand Telephone Number 64 3 344 5913
Artusi showroom hours: Tuesday to Friday - 9am-5pm, Saturday - 10am-4pm, Sunday and Monday - closed
* Melbourne showroom hours: Tuesday to Saturday - 10am-4pm

[artusi.com.au](https://www.artusi.com.au)

NSW & ACT (Head Office)
48-50 Moore Street
Leichhardt
F 02 8569 4699

QLD
1/42 Cavendish Road
Coorparoo
F 07 3397 0850

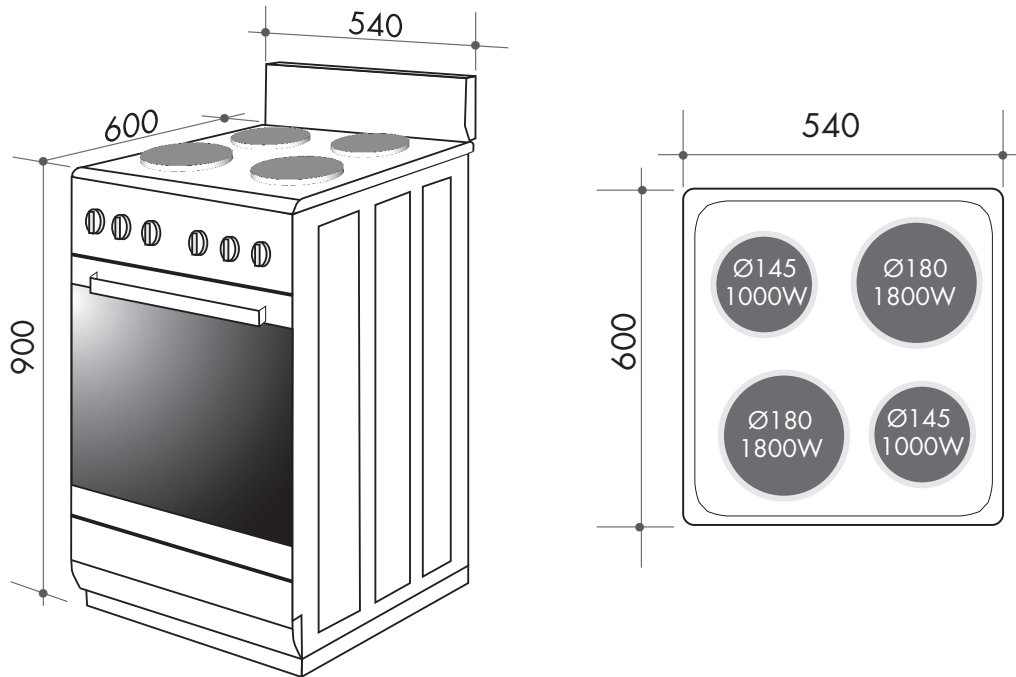
WA & NT
Unit 10/55 Howe Street
Osborne Park
F 08 9201 9188

New Zealand
PO Box 11,160
Sockburn Christchurch
F 03 344 5906

54CM FREESTANDING COOKER

MODEL AFDE547OW

TECHNICAL DIAGRAM



NB: drawings are not to scale — they are to be used for detailed installation instructions, please refer to user guide.

EAN 9347777000453

AR170521

DISCLAIMER

Eurolinx PTY LTD, is continually seeking ways to improve the design specifications, aesthetics and production techniques of its products. As a result alterations to our products and designs take place continually. Whilst every effort is made to produce information and literature that is up to date, this brochure should not be regarded as an infallible guide to the current specifications, nor does it constitute an offer for the sale of any particular product. Product dimensions indicated in our literature is indicative only. Actual product only should be used to define dimension cut outs. Distributors, and retailers are not agents of Eurolinx and are not authorized to bind Eurolinx by any express or implied undertaking or representation.

AFDE547OW Freestanding Cooker

oven capacity: 56 litres gross

grill capacity: 25 litres gross

grill heat power 2.0 kW

total main power: 10 kW

FOLLOW US ON:  [instagram.com/artusi_appliances](https://www.instagram.com/artusi_appliances)

 www.linkedin.com/company/eurolinx-pty-ltd-t-a-lve/

Australia National Telephone Number 1300 (694 583) New Zealand Telephone Number 64 3 344 5913
Artusi showroom hours: Tuesday to Friday - 9am-5pm, Saturday - 10am-4pm, Sunday and Monday - closed
* Melbourne showroom hours: Tuesday to Saturday - 10am-4pm

[artusi.com.au](https://www.artusi.com.au)

NSW & ACT (Head Office)
48-50 Moore Street
Leichhardt
F 02 8569 4699

QLD
1/42 Cavendish Road
Coorparoo
F 07 3397 0850

WA & NT
Unit 10/55 Howe Street
Osborne Park
F 08 9201 9188

New Zealand
PO Box 11.160
Sockburn Christchurch
F 03 344 5906