

Double Door Sheltered Outdoor Beverage Chiller

STAINLESS STEEL AOF2SM5
BLACK AOF2BM5



24 MONTH WARRANTY



86CM



330ML BOTTLES



500ML BOTTLES



CHILD LOCK



SHELF POSITIONS



LED LIGHTS



TOUCH CONTROL



WEATHER PROOF



190L FRIDGE CAPACITY



10AMP POWER CONNECTION

PRODUCT INFORMATION

FINISH

- gloss black
- black weatherproof exterior

FEATURES

- built-in or freestanding
- Should be installed under a sheltered area
- R600A refrigerant
- ventilated cooling, auto defrost
- 4 shelves with interchangeable height
- heated outer door to prevent condensation
- button controls
- LED lighting
- hammered aluminium interior
- withstands high humidity
- Operating Noise Level: 45 db/A

CAPACITY & INTERIOR

- 190 litres net
- 330ml bottles: 190 / 500ml bottles: 110
- facing per shelf: 10

DOOR

- spring-loaded self-closing doors
- door lock
- tolerant of water spray from any direction
- triple glazed glass door

TEMPERATURE

- -5 to 10°C temperature range
- climate type: ST, up to 38°C ambient temperature

TECHNICAL

- Commercial MEPS 7 Star Rating



AOF2SM5 EAN 9347777007483
AOF2BM5 EAN 9347777007476

AR28112025

DISCLAIMER

Worldwide Appliances Pty Ltd, is continually seeking ways to improve the design specifications, aesthetics and production techniques of its products. As a result alterations to our products and designs take place continually. Whilst every effort is made to produce information and literature that is up to date, this brochure should not be regarded as an infallible guide to the current specifications, nor does it constitute an offer for the sale of any particular product. Product dimensions indicated in our literature is indicative only. Actual product only should be used to define dimension cut outs. Distributors, and retailers are not agents of Worldwide Appliances and are not authorised to bind Worldwide Appliances by any express or implied undertaking or representation.

FOLLOW US ON: [/artusi_kitchen_laundry_](https://www.instagram.com/artusi_kitchen_laundry)

Australia National Telephone Number 1300 694 583
For showroom opening times, visit our website

artusi.com.au

NSW & ACT (Head Office)
48-50 Moore Street
Leichhardt
F 02 8569 4699

Victoria
2r/131 Church Street
Hawthorn

QLD Contact Head Office

WA & NT
Contact Head Office

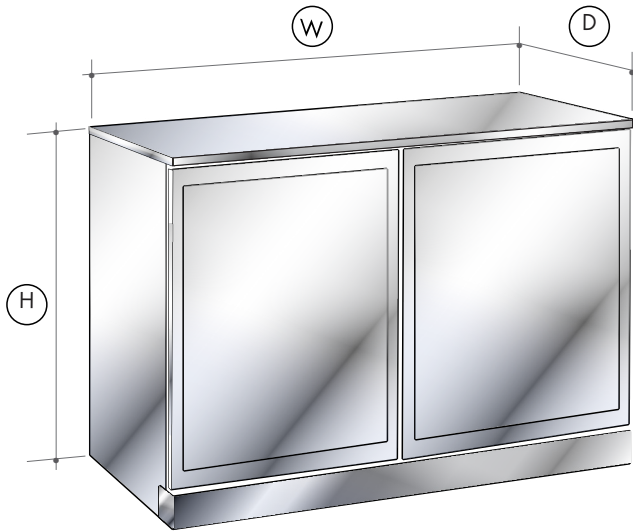
Double Door Sheltered Outdoor Beverage

STAINLESS STEEL AOF2SM5

BLACK AOF2BM5

TECHNICAL INFORMATION

***TO BE INSTALLED IN UNDERCOVER SPACES ONLY**



Keys



865mmW

H 875mm 496mm (without door)

D handle - +45mm)

NB: drawings are not to scale — for detailed installation instructions, please refer to user guide.

AOF2 Double-door sheltered outdoor refrigerator

220V/50Hz 340W

55.5kg gross, 59.5kg net

2.8kW per 24 hours

10AMP, 1.5m power cord

AOF2SM5 EAN 9347777007483

AOF2BM5 EAN 9347777007476

AR28112025

DISCLAIMER

Worldwide Appliances Pty Ltd, is continually seeking ways to improve the design specifications, aesthetics and production techniques of its products. As a result alterations to our products and designs take place continually. Whilst every effort is made to produce information and literature that is up to date, this brochure should not be regarded as an infallible guide to the current specifications, nor does it constitute an offer for the sale of any particular product. Product dimensions indicated in our literature is indicative only. Actual product only should be used to define dimension cut outs. Distributors, and retailers are not agents of Worldwide Appliances and are not authorised to bind Worldwide Appliances by any express or implied undertaking or representation.

FOLLOW US ON:  [/artusi_kitchen_laundry_](https://www.instagram.com/artusi_kitchen_laundry)

Australia National Telephone Number 1300 694 583
For showroom opening times, visit our website

artusi.com.au

NSW & ACT (Head Office)
48-50 Moore Street
Leichhardt
F 02 8569 4699

Victoria
2r/131 Church Street
Hawthorn

QLD Contact Head
Office

WA & NT
Contact Head Office