

# Rangehood Selection Tips.

## Size and design

Try to always select a rangehood that is at least as wide as your cooktop. Your cooking style should be taken into account for example stir frying requires a higher rate of air extraction.

## Stainless steel baffle filters

This design of filter not only looks good but they catch and hold the moisture in the air stopping it dripping back into your cooking. They are ideal for use over induction cooktops. The baffle filters are heavier and two hands should be used when replacing them to prevent them suddenly dropping onto the cooktop.

## LED lights

LED lights have extremely low electricity consumption and are very durable. This means that they are not only perfect for illuminating the cooking process but they are ideal for subtle lighting of the kitchen.

## Ducting

It's important that your rangehood has the right ducting to allow the exhaust to be efficiently expelled to the outside. Your choice of ducting impacts the noise of the rangehood and how well it operates.

We strongly recommend using solid or semi rigid ducting. Flexible foil type ducting is not to be used as it contributes to additional noise and there is a loss of efficiency due to air turbulence. Also never reduce the diameter of the ducting as this will lead to increases in noise and loss of efficiency.

## Recirculating

When a rangehood is installed in recirculating mode (which means it is not ducted to the outside) carbon filters are used to remove cooking odours. The carbon filters need to be replaced on a regular basis.

## High ceilings

Contact us on 1300 307 917 and ask for After Sales Service to check on the availability of extension chimneys (shrouds) to suit higher ceilings.



Glem Gas Australasia Pty Ltd

Unit 26, 10 Straits Avenue, South Granville, NSW 2142 | PO BOX 63 Blaxcell PO, South Granville, NSW 2142

Telephone: (02) 9721 2755 | Facsimile: (02) 9721 2766 info@glemgas.com.au | www.emiliaglem.com.au | Local charge 1 300 307 917

The descriptions and images in this brochure apply to the specific products at the date of publication. Glem Gas has a policy of continuous product development and product specifications may change without notice. Please check with the retailer that this brochure correctly describes the products that are being offered for sale. Glem Gas should not be held responsible for any errors in this brochure caused by inaccuracy in printing or transcription.

Warranty: Glem products are covered by a two year warranty, on parts and labour and conditional to our Warranty policy.  
Service: Glem Gas has an Australia wide service network available. Call 02 9721 2755 for assistance.

## AirFriendly Rangehoods.

There's nothing quite like the kitchen. It's a meeting place, a place to excel, a place to relax, a place to share. A true comfort.



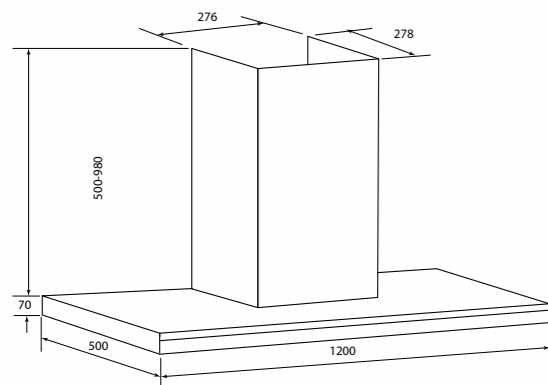
# Rangehoods for today's kitchen.

Emilia Glem rangehoods meet the demands of today's kitchens and complement the extensive range of Emilia and Glem Cooking appliances. The slide out rangehoods and our under cupboard rangehoods allow for integration with cupboards for compact, urban living and streamlined, galley kitchens. For larger showpiece kitchens, the elegant canopy rangehoods provide high extraction capacity and a commercial look that appeals to serious cooks. All rangehoods feature quality stainless steel construction and dishwasher safe filters, working to minimise cooking odours and moisture build up in the home.

## The Flat Canopy One Twenty.

CK120BTBF

- 120cm wide
- Stainless steel construction
- 800 cubic metre per hour extraction
- 3 speed fan
- Touch controls
- Twin LED lights
- Outlet diameter 150mm
- Noise Rating - db 55
- Can be recirculated

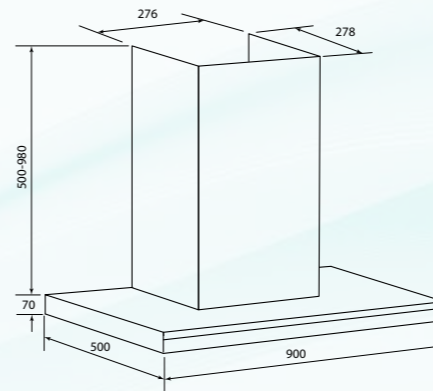


STAINLESS STEEL  
BAFFLE FILTERS  
PERFECT FOR  
INDUCTION COOKING

## The Flat Canopy Ninety.

CK90TBTF

- 90cm wide
- Stainless steel construction
- 800 cubic metre per hour extraction
- 3 speed fan
- Touch controls
- Twin LED lights
- Outlet diameter 150mm
- Noise Rating - db 58
- Can be recirculated

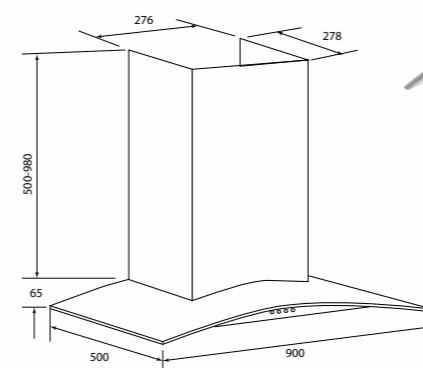


STAINLESS STEEL  
BAFFLE FILTERS  
PERFECT FOR  
INDUCTION COOKING

## The Curved Glass Canopy Ninety.

CK90CGLBF

- 90cm wide
- Stainless steel construction
- 800 cubic metre per hour extraction
- 3 speed fan
- Electronic controls
- Twin LED lights
- Outlet diameter 150mm
- Noise Rating - db 59
- Can be recirculated

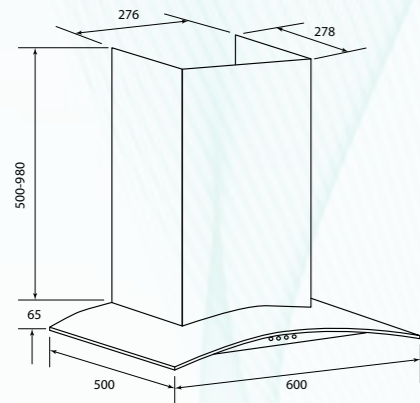



STAINLESS STEEL  
BAFFLE FILTERS  
PERFECT FOR  
INDUCTION COOKING

## The Curved Glass Canopy Sixty.

**CK60CGLBF**

- 60cm wide
- Stainless steel construction
- 800 cubic metre per hour extraction
- 3 speed fan
- Electronic controls
- Twin LED lights
- Outlet diameter 150mm
- Noise Rating - db 59
- Can be recirculated

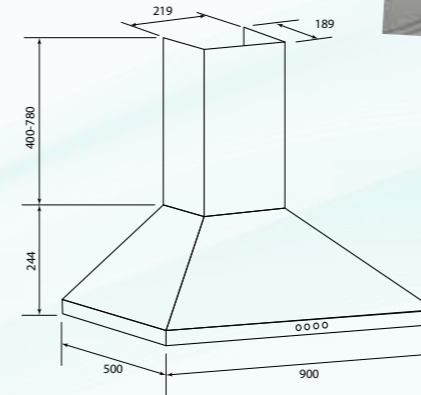


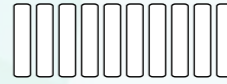
**STAINLESS STEEL  
BAFFLE FILTERS**  
  
**PERFECT FOR  
INDUCTION COOKING**

## The Canopy Ninety.

**CK90LBF**

- 90cm wide
- Stainless steel construction
- 800 cubic metre per hour extraction
- 3 speed fan
- Electronic controls
- Twin LED lights
- Outlet diameter 150mm
- Noise Rating - db 59
- Can be recirculated

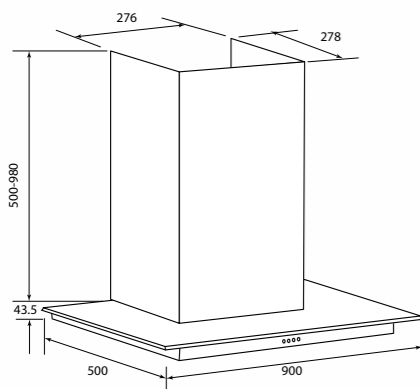


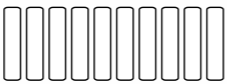
**STAINLESS STEEL  
BAFFLE FILTERS**  
  
**PERFECT FOR  
INDUCTION COOKING**

## The Flat Glass Canopy Ninety.

**CK90FGLBF**

- 90cm wide
- Stainless steel construction
- 800 cubic metre per hour extraction
- 3 speed fan
- Electronic controls
- Twin LED lights
- Outlet diameter 150mm
- Noise Rating - db 59
- Can be recirculated

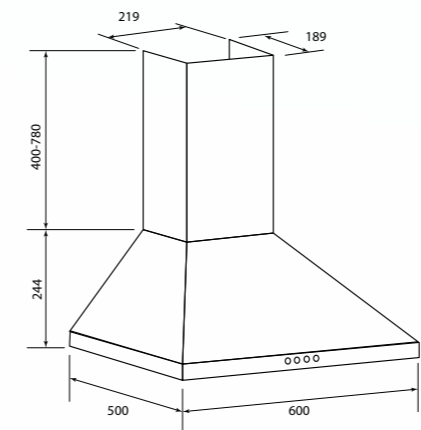


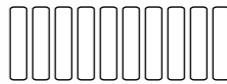
**STAINLESS STEEL  
BAFFLE FILTERS**  
  
**PERFECT FOR  
INDUCTION COOKING**

## The Canopy Sixty.

**CK60LBF**

- 60cm wide
- Stainless steel construction
- 800 cubic metre per hour extraction
- 3 speed fan
- Electronic controls
- Twin LED lights
- Outlet diameter 150mm
- Noise Rating - db 60
- Can be recirculated



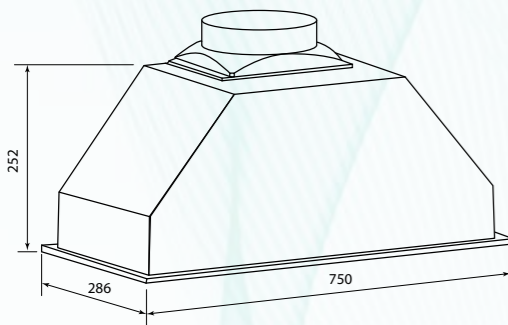
**STAINLESS STEEL  
BAFFLE FILTERS**  
  
**PERFECT FOR  
INDUCTION COOKING**

## The Undercupboard Seventy Five.

Perfect for a 90cm cooktop.

**CK75UCF**

- 75cm wide
- Stainless steel construction
- 700 cubic metre per hour extraction
- 3 speed fan
- Push button controls
- Twin square LED lights
- Outlet diameter 120mm
- Noise Rating - db 58

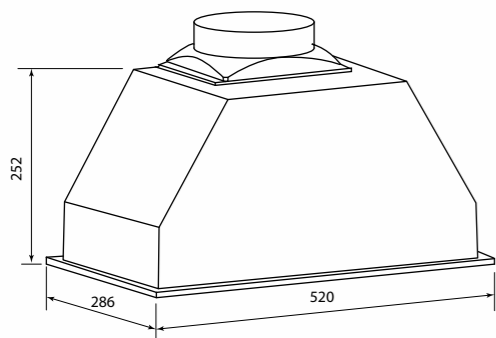


## The Undercupboard Fifty Three.

Perfect for a 60cm cooktop.

**CK53UCF**

- 53cm wide
- Stainless steel construction
- 700 cubic metre per hour extraction
- 3 speed fan
- Push button controls
- Twin square LED lights
- Outlet diameter 120mm
- Noise Rating - db 58



## The Slide Out Sixty.

**CK60SLF**

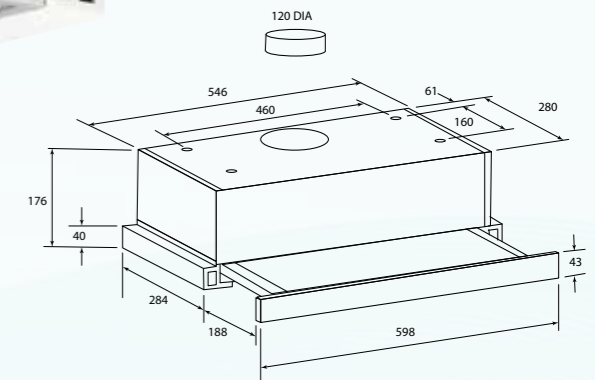
**Ducted only**

- 60cm wide
- Stainless steel construction
- 320 cubic metre per hour extraction
- 2 speed fan
- Twin square LED lights
- Outlet diameter 120mm
- Noise Rating - db 43

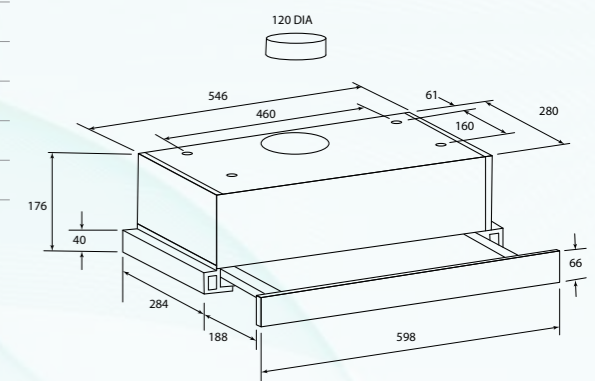
**CK60FRF**

**Recirculated**

- 60cm wide
- Stainless steel construction
- 210 cubic metre per hour extraction
- 2 speed fan
- Twin square LED lights
- Outlet diameter 120mm
- Noise Rating - db 55



CK60SLF - 43mm high frontbar



CK60FRF - 66mm high frontbar



## The fixed Sixty.

**CK60FXF**

- 60cm wide
- Stainless steel construction
- 210 cubic metre per hour extraction
- 3 speed fan
- Outlet diameter 120mm
- Noise Rating - db 54

