



BOSCH

NEW

Tronic 4000

3 Phase Electric Instantaneous Water Heater



Electric



Clickfix Easy Installation



Electronic Air Bubble Detection System



Simple Digital LED Indicator

Tronic 4000

A cost effective water heater that reliably delivers a constant supply of hot water. Thanks to innovative **CLICKFIX 2.0 installation technology**, appliances can be installed quickly and easily in just **3 steps**, while electronically controlled bare wire technology heats water faster with improved efficiency.

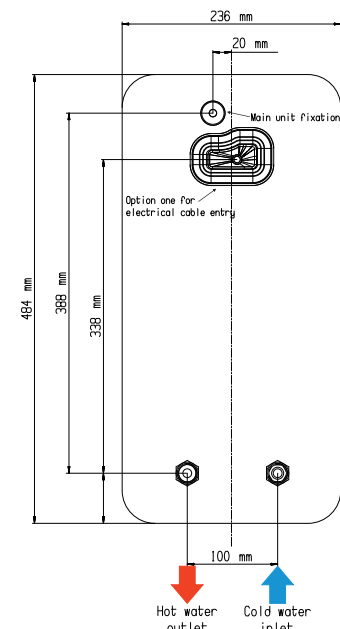
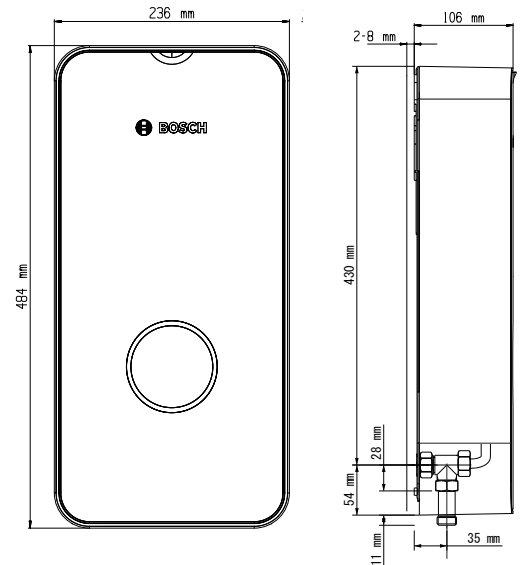
PRODUCT FEATURES:

- Made in Europe for the highest quality and durability.
- Simple digital display with an LED status light and error notification, with no operating interaction required.
- 50°C temperature limit eliminates the need for an external tempering valve.
- Electronic air bubble detection helps prevent potential damage caused by air entering the system during installation.
- Same connection points as the most common three-phase electric instantaneous water heaters.
- Horizontal or vertical water fitting connection options for easy installation or replacement.
- Three options for electrical supply connection location and a wall offset function for easy cable routing.

Model		TR4001 13 Locked 50°C	TR4001 18 Locked 50°C	TR4001 27 Locked 50°C
Part Number		7736507505	7736507506	7736507507
Rated output Power(415V)	Kw	14	19.4	27.5
Rated current (415V)	A	19.5	27	39.7
Connection		3/PE	3/PE	3/PE
Fuse Protection	A	20	32	40
Electrical Installation	In accordance with AS/NZS3000			
Plumbing Installation	AS/NZS3500.4.2 & local requirements			
Switch on flow rate	L/min	2.5	2.5	2.5
Temperature settings	°C	Not adjustable 50°C	Not adjustable 50°C	Not adjustable 50°C
Water connection		G1/2"	G1/2"	G1/2"
Max. permissible pressure	kPa	1000	1000	1000
Max. Inlet Temperature for reheating	°C	50	50	50
IP rating		IP25	IP25	IP25
Height	mm	484	484	484
Width	mm	236	236	236
Depth	mm	106	106	106
Weight	Kg	3.3	3.3	3.3
Colour		White	White	White
Approvals		WaterMark Lic No. WMK26959. AS3498 Electrical AS/NZS 60335.2.35:2013 Inc A1-2 As/NZS 60335.1:2020 Inc A1-2		

Bosch Tronic 415V Flow rate l/m (without volumetric flow rate limiter)			
Model		18kW	27kW
Δ Temperature rise	25°C	11	16
	30°C	9	13
	35°C	8	11

Seasonal average ambient cold water inlet temp °C for Australia	
Melbourne	15°C
Hobart	14°C
Canberra	14°C
Sydney	18°C
Brisbane	18°C
Adelaide	18°C
Perth	20°C
Townsville/Darwin	25°C



CLICKFIX 2.0 transparent back plate
Bosch CLICKFIX 2.0 offers quick installation via three simple steps.



bosch-homecomfort.com.au
PH: 1300 30 70 37 for sales and service



5 year parts and labour warranty when used in a residential application. 1 year parts and labour warranty for commercial application. For full terms and conditions please contact Bosch Customer Contact Centre on 1300 30 70 37 in Australia if you have any queries in relation to this warranty or contact us using the online form at <https://www.bosch-homecomfort.com/au/en/residential/customer-support/warranty-and-servicing/>