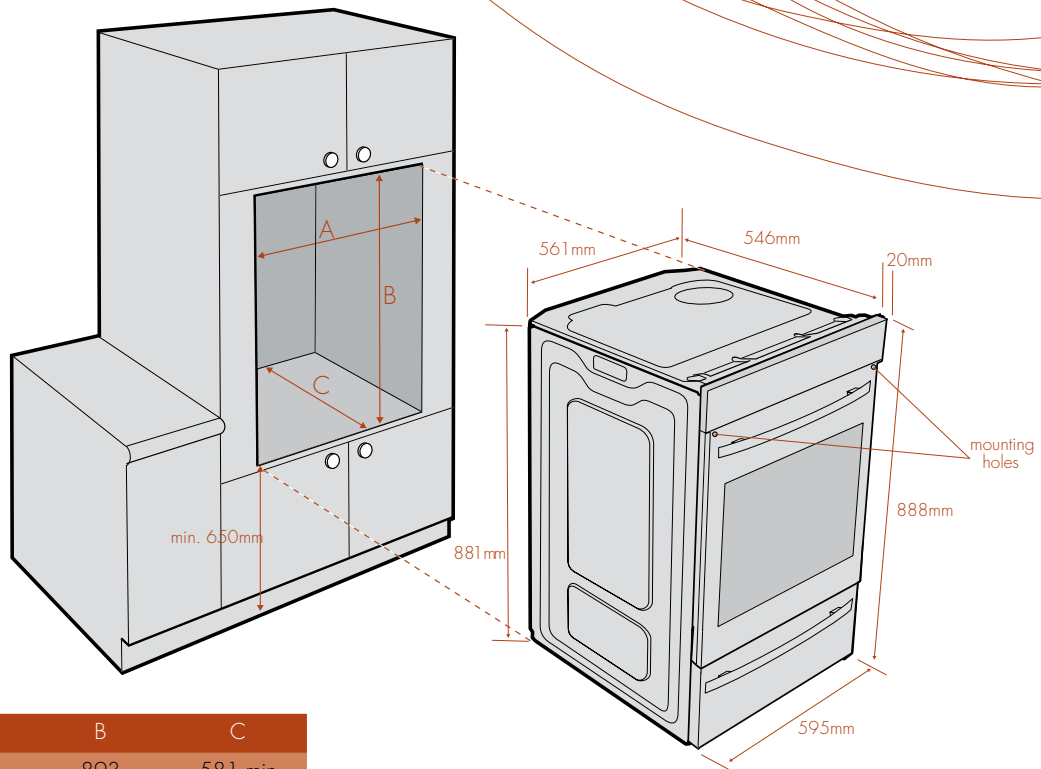


# installation guide

## electric wall ovens with separate grill

models: EXC614 (S/W), EXC624 (S/W)

### oven dimensions



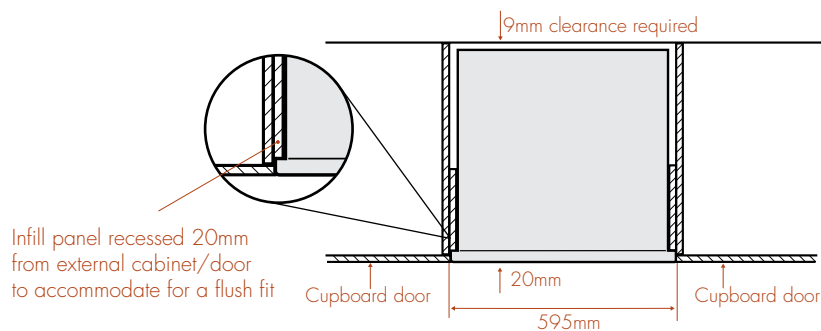
	A	B	C
Flush fit	600	893	581 min
Proud fit	565	885	560 min

C = from face of cabinet/door to rear of enclosure.

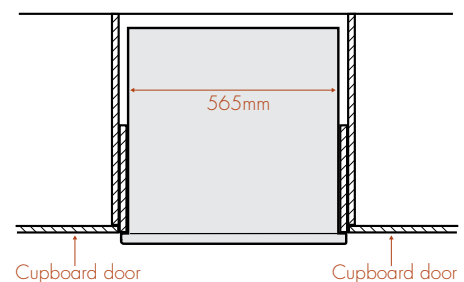
### Cabinet construction for your appliance

For the best integration within a kitchen, install this appliance in a standard 600mm wide cupboard that gives a flush fit with the surrounding cupboard fronts. A recess of 20mm is ideal. It can also be installed using a proud fit with the surrounding cupboard.

#### Flush fit (top view)



#### Proud fit (top view)

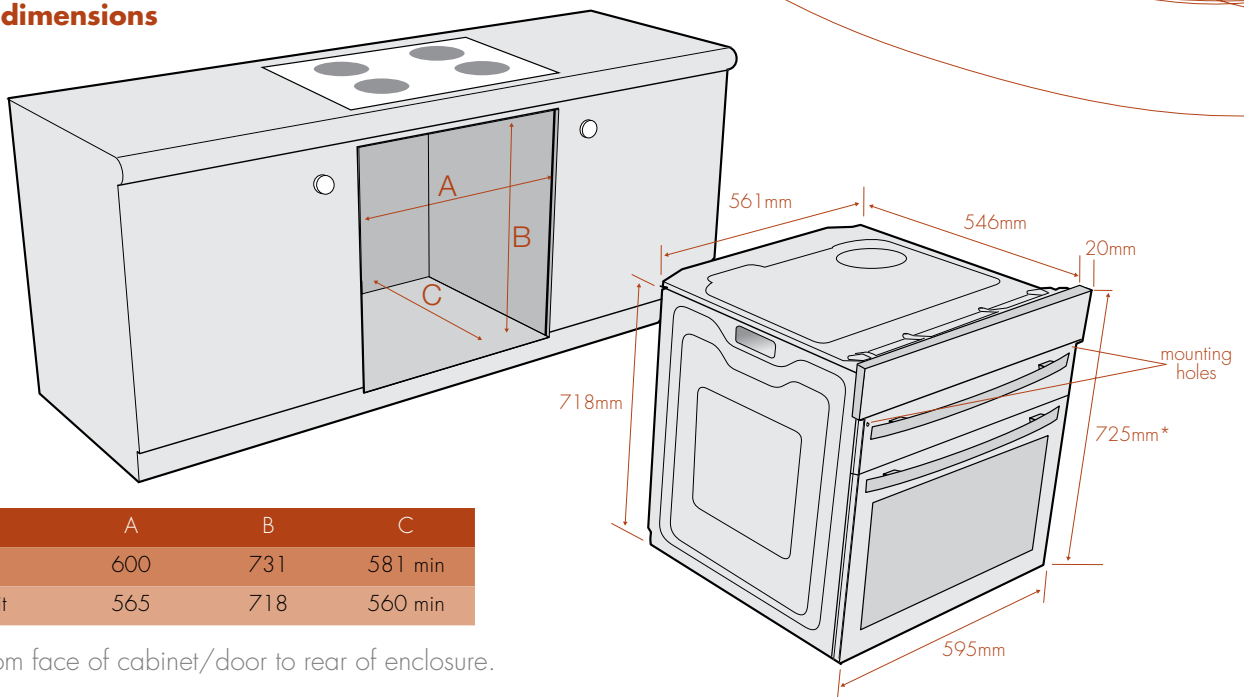


# installation guide

## electric underbench ovens with separate grill

models: EGC624 (S/W), EGC634 (S/W)

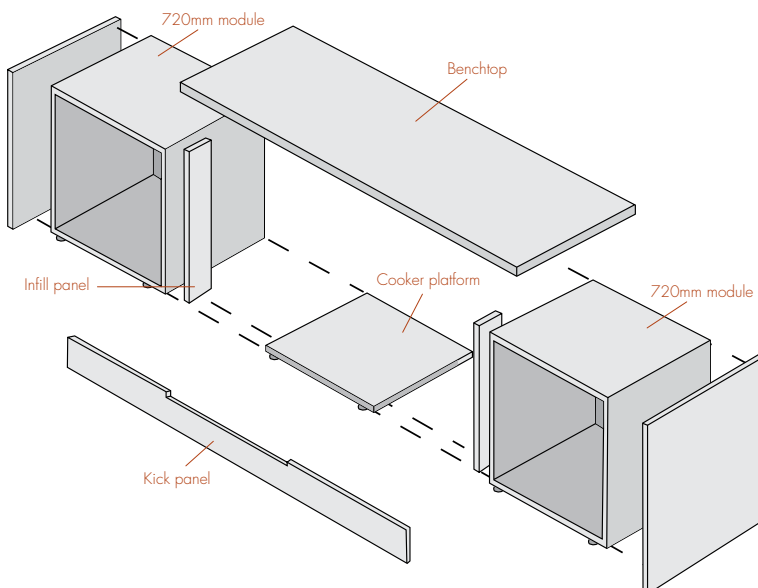
### oven dimensions



	A	B	C
Flush fit	600	731	581 min
Proud fit	565	718	560 min

C = from face of cabinet/door to rear of enclosure.

### Cabinet construction for your appliance



\*Visible front surface from bottom of door to top of control panel = 720mm (to match standard cabinet door height).

Separate grill underbench oven installation requires kitchen kick panel to be rebated (see diagram on the left).

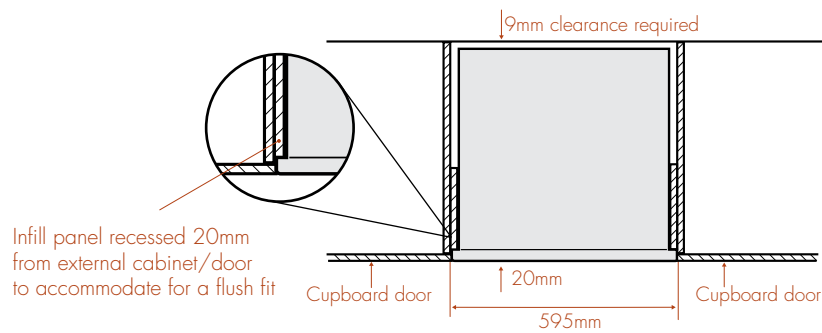
# installation guide

## electric underbench ovens with separate grill

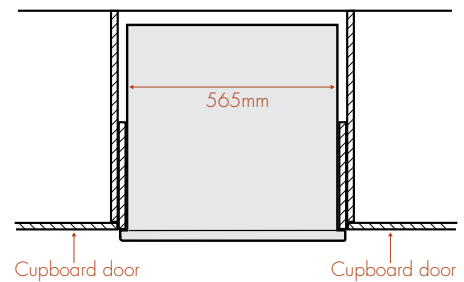
models: EGC624 (S/W), EGC634 (S/W)

For the best integration within a kitchen, install this appliance in a standard 600mm wide cupboard that gives a flush fit with the surrounding cupboard fronts. A recess of 20mm is ideal. It can also be installed using a proud fit with the surrounding cupboard.

### Flush fit (top view)



### Proud fit (top view)

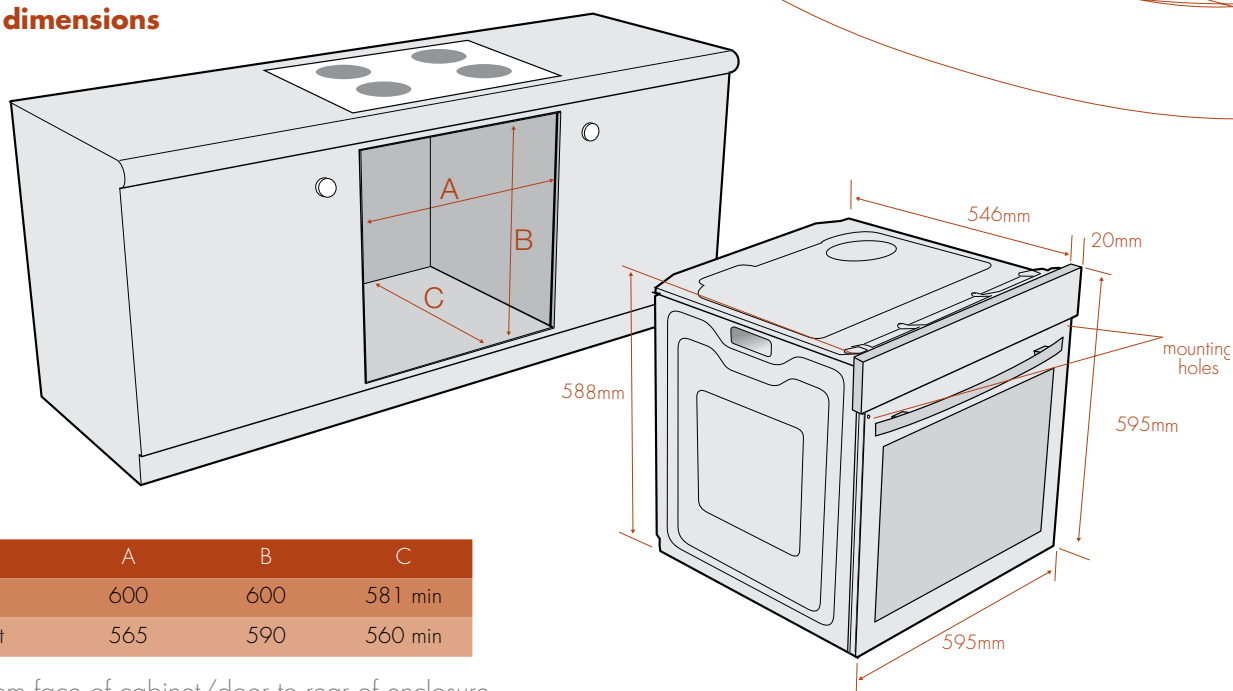


# installation guide

## chef electric underbench ovens

models: EOC614 (S/W), EOC624 (S/W), EOC644 (S/W)

### oven dimensions



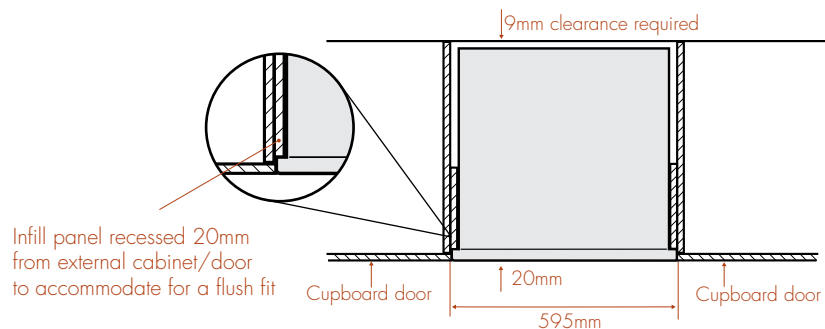
	A	B	C
Flush fit	600	600	581 min
Proud fit	565	590	560 min

C = from face of cabinet/door to rear of enclosure.

### Cabinet construction for your appliance

For the best integration within a kitchen, install this appliance in a standard 600mm wide cupboard that gives a flush fit with the surrounding cupboard fronts. A recess of 20mm is ideal. It can also be installed using a proud fit with the surrounding cupboard.

#### Flush fit (top view)



#### Proud fit (top view)

