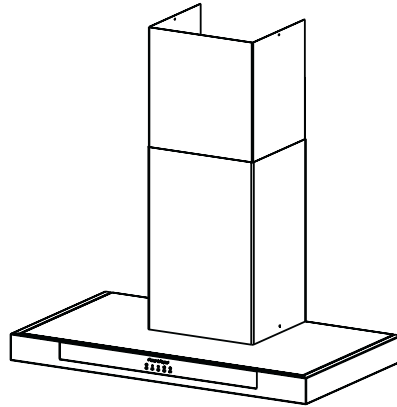


Fisher & Paykel

Designer Series Wall Canopy

- 80325 – EC90 DXV1 (SS NZ/AUS)
- 80326 – EC90 DMV1 (IR NZ/AUS)
- 80387 – EC90 DXV1 (SS EU)
- 88832 – EC90 DXV2 (SS UK)



Please note product may vary slightly from the picture.
Please read the entire instructions before installing the canopy.

INSTALLATION INSTRUCTIONS

PRE-INSTALLATION

Thank you for purchasing a quality, stainless steel canopy hood. We have a high standard of quality control and each canopy hood is tested and approved before it leaves the factory.

IMPORTANT

- Please read the entire instructions before installing the canopy hood
- Always switch the power off prior to installation, servicing or cleaning the canopy hood.
- Never use the canopy hood without the filters.
- Stainless steel is very easily damaged during installation if abraded or knocked by tools.
- A power outlet should be within 750mm of the motor assembly and can be either on the wall, behind the chimney or in the ceiling.
- To comply to electrical safety regulations this canopy must be plugged into a socket near the appliance. The socket must be accessible and enable the end user to isolate the canopy from the power for the purpose of internal cleaning or maintenance.

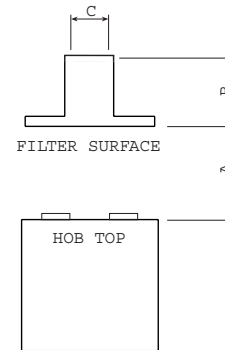
Ducting accessories are not supplied. All ducting must comply with local requirements and building codes.

	All electrical work must be done in accordance with local and/or national electrical codes as applicable. For safety, this product must be earthed. If you are unfamiliar with methods of installing electrical wiring, employ the services of a qualified electrician. Turn off power at service entrance before installing wiring or servicing this product.
	The canopy hood is heavy please ensure adequate care when installing the canopy hood to prevent personal injury. The canopy hood must be installed onto a solid wall, stud, beam or truss. Weight of product 22.2 kg.

CONTENTS

Contents of packaging	Equipment required	Optional accessories
1 x canopy hood	Electric drill	Charcoal filter 103821
2 x chimney pieces with bracket	Screwdriver	Light bulb 104467
1 x installation instructions	Duct tape	Chimney ext (10") SS 1740
3 x filter (part number 104660)	Jig saw	Chimney ext (12") SS
Installation kit (part number 104834)	Ladder	Chimney ext (10") IR
2 x 12 x 2" screw	Ducting	Recirculation kit 1744
2 x cup washer	Tape measure	
3 x 8 x 1.25" screw	Drill bits	
1 x wall anchor	Spirit level	
4 x 6 x 1/4" self tapping screw		

HEIGHT OF CANOPYHOOD



- A=600 min (electric cook top)
- A=650 min (gas cook top)
- B=225 mm
- C=260 mm

- The canopy hood is designed for 2440mm high ceilings.
- The chimney is telescopic and is designed for hood installations between 650 to 750mm above the cooking surface.
- Ascertain the desired installation height of the canopy hood.
- Any installation above 750mm will compromise the extraction performance.
- The air outlet from the motor requires 150mm round ducting which requires 170mm diameter hole in the ceiling.

CONTROL PANEL

Delay switch: Canopy hood will remain on a low, mid or high speed for five minutes to clear away all residual cooking odours before switching off automatically.



WALL/CEILING PREPERATION

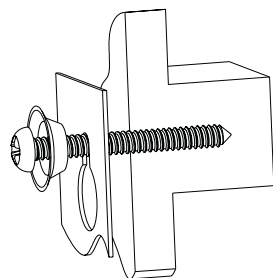
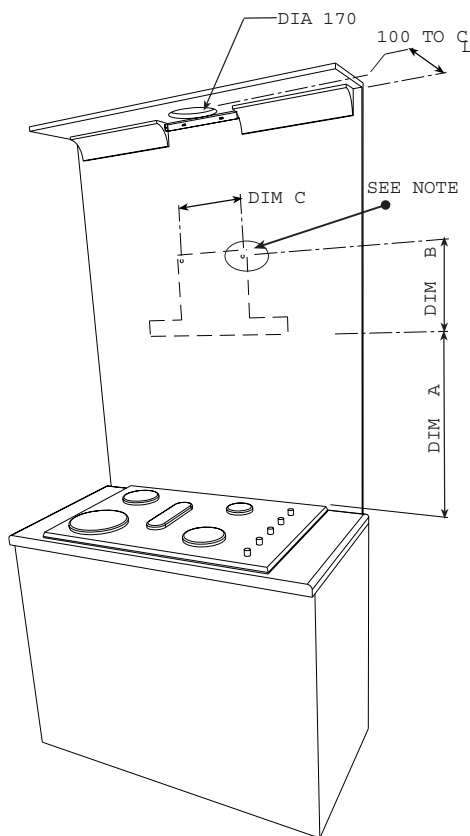
RECIRCULATION

For recirculation, do not cut 170mm hole into the wall/ceiling and purchase the charcoal filters and recirculation kit 1744. The recirculation kit must be used to channel the air to the top of the flue. For other accessories, parts and service, please contact your local supplier or approved service agent

DUCTED

For ducted installation, it is recommended you use 150mm diameter rigid / semi rigid ducting this will require a 170mm hole in the wall/ceiling.

Before drilling any holes check the area behind the surface to be drilled is clear of any electrical cables, pipes etc.



NOTE: Fixing to a solid stud is recommended.

1. Pre drill pilot hole 3mm diameter at dimensions C and B.
B=225mm and C=260mm.
2. Loosely fix the 12 x 2" screws and 2 x cup washers in position, check with a spirit level across the screws to ensure they are level.
3. Mark the position of the decorative chimney at the ceiling and wall. Cut the cornice moulding away if required, to enable the chimney to fit flush against the wall and ceiling.
4. Mark and cut out the hole in the ceiling / wall to fit the ducting. (170mm dia.) This is positioned centrally above the canopy hood and 85mm from the wall. (For ceiling option)
5. Using the screws supplied, fix the chimney bracket to the wall / ceiling, checking that it is central about the canopy.
6. Remove the protective plastic covering from all parts including the filters. Fit the canopy hood on the mounting screws, tighten screws.
7. Connect to the power supply and switch on the power to the canopy hood. Check the function of the canopy hood. Connect and secure the ducting (use duct tape if required).
8. Assemble the chimney pieces to a height that best suits the installation, leave these screws loose so that the chimney is free to extend by a few mm. Place the two pieces onto the canopy top and secure the lower part to the canopy sides. Extend the upper chimney to the ceiling and secure in place with two screws supplied.

MAINTENANCE

The manufacturer is not liable for any damage caused by not following these instructions.

Particular care must be taken with the grease filters which must be periodically cleaned (at least every two months). Remove the grease filters and wash them either by hand using hot soapy water or in the dishwasher using mild detergent. Note - some discolouration of the frame may occur. Caution: Never use abrasive or oil based liquid cleaners. To clean the stainless steel and glass components of the appliance use mild detergent and warm water. In areas of high humidity and coastal environments cleaning should be carried out frequently.

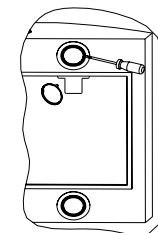
In the case of charcoal filters, these are disposable items and it is recommended that these be replaced every two to four months depending on the use of the canopy hood.

For other accessories, parts and service, please contact your local supplier (refer to the warranty certificate).

LIGHT REPLACEMENT

(Halogen bulb 12 Volts/20 Watt)

1. Switch off the power to the canopy hood.
2. Use a small bladed screwdriver to prise off the light cover taking care not to damage the surrounding material.
3. Remove the defective bulb from the canopy hood.
4. Replace with a new bulb using a cloth. Do not touch the bulb with fingers.
5. Snap the cover back into place.



WARNINGS

- This canopy hood is not intended for use by young children or infirm persons without supervision.
- Young children should be supervised to ensure that they do not play with the canopy hood.
- There shall be adequate ventilation of the room when the canopy hood is used at the same time as appliances burning gas or other fuels. (A partial vacuum in the room could result in too high a concentration of gas in the air).
- You must read the details concerning the method and frequency of cleaning.
- There is a fire risk if cleaning is not carried out in accordance with the instructions.
- Do not flambé under the canopy hood.
- Exhaust air must not be discharged into an existing flue which is used for exhausting fumes from appliances burning gas or other fuels.
- The minimum distance between the hob surface and the filters of the canopy hood shall be 600mm (650mm if installed over a gas hob).
- Attention should be given to ensure that any applicable regulations concerning the discharge of exhaust air is fulfilled.
- If the supply cord of this equipment is damaged it must only be replaced by the manufacturer, its service agent or similarly qualified person in order to avoid a hazard.

Manufactured for

Fisher & Paykel

By:

Robinhood Ltd

6 Zelanian Drive, East Tamaki

Auckland, New Zealand

ISO9001 Certified

Electrical Rating:

265W (1.10 A)

Max at 240V 50Hz

104921 issue A

ECN 06 037