



ENGLISH

# OWNER'S MANUAL

## Micro Hi-Fi System

Please read this manual carefully before operating your set and retain it for future reference.

CM1531 (CM1531, CMS1531F)



MFL67876426

# Safety Information



1

Getting Started



**CAUTION:** TO REDUCE THE RISK OF ELECTRIC SHOCK DO NOT REMOVE COVER (OR BACK) NO USER-SERVICEABLE PARTS INSIDE REFER SERVICING TO QUALIFIED SERVICE PERSONNEL.



This lightning flash with arrowhead symbol within an equilateral triangle is intended to alert the user to the presence of uninsulated dangerous voltage within the product's enclosure that may be of sufficient magnitude to constitute a risk of electric shock to persons.



The exclamation point within an equilateral triangle is intended to alert the user to the presence of important operating and maintenance (servicing) instructions in the literature accompanying the product.

**WARNING:** TO PREVENT FIRE OR ELECTRIC SHOCK HAZARD, DO NOT EXPOSE THIS PRODUCT TO RAIN OR MOISTURE.

**WARNING:** Do not install this equipment in a confined space such as a book case or similar unit.

**CAUTION:** Do not block any ventilation openings. Install in accordance with the manufacturer's instructions.

Slots and openings in the cabinet are provided for ventilation and to ensure reliable operation of the product and to protect it from over heating. The openings shall be never be blocked by placing the product on a bed, sofa, rug or other similar surface. This product shall not be placed in a built-in installation such as a bookcase or rack unless proper ventilation is provided or the manufacturer's instruction has been adhered to.

**CAUTION:** This product employs a Laser System. To ensure proper use of this product, please read this owner's manual carefully and retain it for future reference. Shall the unit require maintenance, contact an authorized service centre. Use of controls, adjustments or the performance of procedures other than those specified herein may result in hazardous radiation exposure. To prevent direct exposure to laser beam, do not try to open the enclosure.

### CAUTION concerning the Power Cord

Most appliances recommend they be placed upon a dedicated circuit;

That is, a single outlet circuit which powers only that appliance and has no additional outlets or branch circuits. Check the specification page of this owner's manual to be certain. Do not overload wall outlets. Overloaded wall outlets, loose or damaged wall outlets, extension cords, frayed power cords, or damaged or cracked wire insulation are dangerous. Any of these conditions could result in electric shock or fire. Periodically examine the cord of your appliance, and if its appearance indicates damage or deterioration, unplug it, discontinue use of the appliance, and have the cord replaced with an exact replacement part by an authorized service centre. Protect the power cord from physical or mechanical abuse, such as being twisted, kinked, pinched, closed in a door, or walked upon. Pay particular attention to plugs, wall outlets, and the point where the cord exits the appliance. To disconnect power from the mains, pull out the mains cord plug. When installing the product, ensure that the plug is easily accessible.

This device is equipped with a portable battery or accumulator.

**Safety way to remove the battery or the battery from the equipment:** Remove the old battery or battery pack, follow the steps in reverse order than the assembly. To prevent contamination of the environment and bring on possible threat to human and animal health, the old battery or the battery put it in the appropriate container at designated collection points. Do not dispose of batteries or battery together with other waste. It is recommended that you use local, free reimbursement systems batteries and accumulators. The battery shall not be exposed to excessive heat such as sunshine, fire or the like.

**CAUTION:** The apparatus shall not be exposed to water (dripping or splashing) and no objects filled with liquids, such as vases, shall be placed on the apparatus.

## 4 Getting Started

---

- The appliance is not intended for use by young children or infirm persons without supervision.
- Young Children should be supervised to ensure that they do not play with appliance.
- If the appliance is supplied from a cord extension set or an electrical portable outlet device, the cord extension set on electrical portable outlet device must be positioned so that it is not subject to splashing or ingress of moisture.

# Table of Contents

## 1 Getting Started

---

- 2 Safety Information
- 6 Unique Features
- 6 Accessories
- 6 Playable file Requirement
  - 6 – MP3/WMA music file requirement
  - 7 – Compatible USB Devices
- 7 – USB device requirement
- 8 Remote Control
- 9 Front Panel
- 10 Back Panel

## 2 Connecting

---

- 11 Connecting the speakers to the unit
  - 11 – Connecting the speakers to the unit
- 11 Antenna Connection
- 12 Optional Equipment Connection
  - 12 – USB Connection
  - 12 – PORT. IN Connection
- 12 – Listening to music from your external device

## 3 Operating

---

- 13 Basic Operations
  - 13 – CD/ USB Operations
  - 13 – Selecting a folder
- 14 Other Operations
  - 14 – Programmed Playback
  - 14 – Displaying file information (ID3 TAG)
  - 14 – Turn off the sound temporarily
  - 14 – Auto Power Down
- 15 Radio Operations
  - 15 – Listening to the radio
  - 15 – Improving poor FM reception
  - 15 – Presetting the Radio Stations
  - 15 – Deleting all the saved stations
- 16 Sound adjustment
  - 16 – Setting the surround mode
- 16 Advanced Operations
  - 16 – Playing the iPod/iPhone
  - 17 – Compatible iPod/iPhone

## 4 Troubleshooting

---

- 19 Troubleshooting

## 5 Appendix

---

- 20 Trademarks and Licenses
- 21 Specifications
- 22 Maintenance
  - 22 – Handling the Unit
  - 22 – Notes on Discs

1

2

3

4

5

## Unique Features

### Portable In

Listens to music from your portable device. (MP3, Notebook, etc)

### Radio

Listens to the radio.

### USB

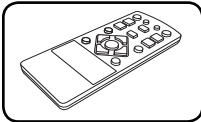
Listens to music from your USB device.

### iPod/iPhone

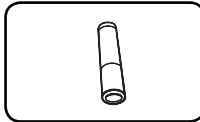
Listen to music from your iPod/iPhone device.

## Accessories

Please check and identify the supplied accessories.



Remote Control (1)



Battery (1)

## Playable file Requirement

### MP3/WMA music file requirement

MP3/WMA file compatibility with this unit is limited as follows.

- Sampling Frequency : 8 - 48 kHz (MP3), 8 - 48 kHz (WMA)
- Bit rate : 32 - 384 kbps (MP3), 32 - 384 kbps (WMA)
- Maximum files : Under 999
- File extensions : ".mp3"/".wma"
- CD-ROM file format : ISO 9660/JOLIET
- We recommend that you use "Easy-CD Creator", which creates an ISO 9660 file system.
- You have to set the disc format option to [Mastered] in order to make the discs compatible with the LG players when formatting rewritable discs. When setting the option to Live File System, you cannot use it on LG players. (Mastered/Live File System : Disc format system for Windows Vista)

## Compatible USB Devices

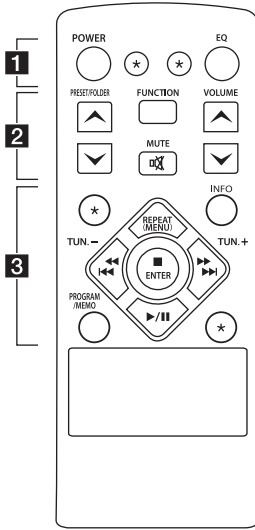
- MP3 Player : Flash type MP3 player.
- USB Flash Drive :  
Devices that support USB1.1 or USB2.0
- The USB function of this unit does not support all USB devices.

## USB device requirement

- Devices which require additional program installation when you have connected it to a computer, are not supported.
- Do not extract the USB device while in operation.
- For a large capacity USB, it may take longer than a few minute to be searched.
- To prevent data loss, back up all data.
- If you use a USB extension cable or USB hub, the USB device is not recognized.
- Using NTFS file system is not supported. (Only FAT(16/ 32) file system is supported.)
- This unit is not supported when the total number of files is 1 000 or more.
- External HDD, Card readers, Locked devices, or hard type USB devices are not supported.
- USB port of the unit cannot be connected to PC. The unit cannot be used as a storage device.
- Some USB may not work with this unit.

1  
Getting Started

# Remote Control



..... **1** .....

**POWER** : Switches the unit ON or OFF.

**EQ** : Chooses sound impressions.

**\*** : The button is not available for any function.

..... **2** .....

**PRESET/FOLDER  $\wedge$ /V** :

- Searches for a folder of MP3/ WMA files. When a CD/ USB containing MP3/ WMA files in several folders is being played, press **PRESET/FOLDER  $\wedge$ /V** to select the folder you want to play.
- Choose a preset number for a radio station.

**FUNCTION** : Selects the function and input source.

**MUTE** : Mutes the sound.

**VOLUME  $\wedge$ /V** : Adjusts speaker volume.

..... **3** .....

**INFO** : Sees informations about your music. MP3 files often come with ID3 tags. The tag gives the Title, Artist, Album or Time information.

**PROGRAM/MEMO** :

- Stores radio stations.
- Creates a playlist you want to listen to.

**REPEAT(MENU)** : Listens to your tracks/files repeatedly or randomly.

**◀◀◀/▶▶▶** (Skip/Search) :

- Skips Fast backward or Forward.
- Searches for a section within a track/file.

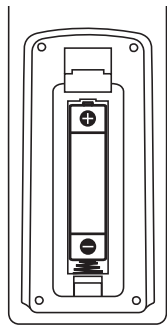
**TUN. -/+** : Selects the radio station.

**ENTER** : Stops playback. Chooses an item on IPOD mode.

**▶/||** (Play/Pause) : Starts or pauses playback.

**\*** : The button is not available for any function.

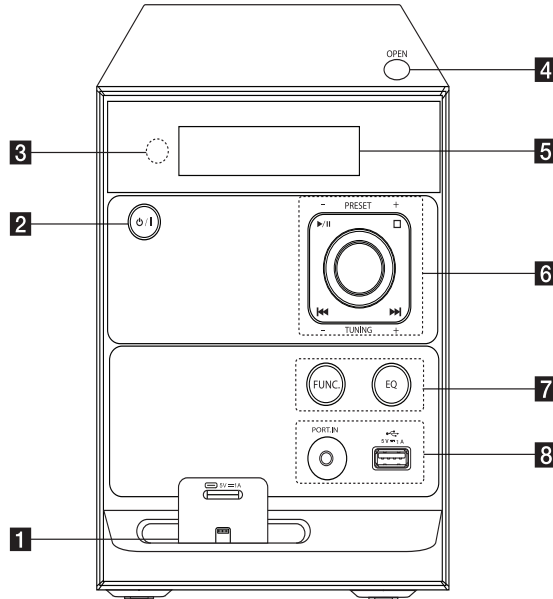
## Battery Installation



Remove the battery cover on the rear of the Remote Control, and insert one (size AAA) battery with **+** and **-** matched correctly.



# Front Panel



1

Getting Started

- 1** iPod/iPhone Dock  
Connects an iPod/iPhone.
- 2** (Power ON/OFF)
- 3** Remote Sensor
- 4** **OPEN**  
Uses it when inserting or removing a CD.

- 5** Display Window
- 6** **PRESET -/+**  
Selects preset numbers.

**TUNING -/+**  
Tunes in the desired radio.

(Play/Pause)  
Starts or pauses playback.  
 (Stop)  
Stops playback.

(Skip)  
- Searches backward or forward.  
- Skips to the previous/next track/file.

Volume Knob  
Adjusts volume of speaker.

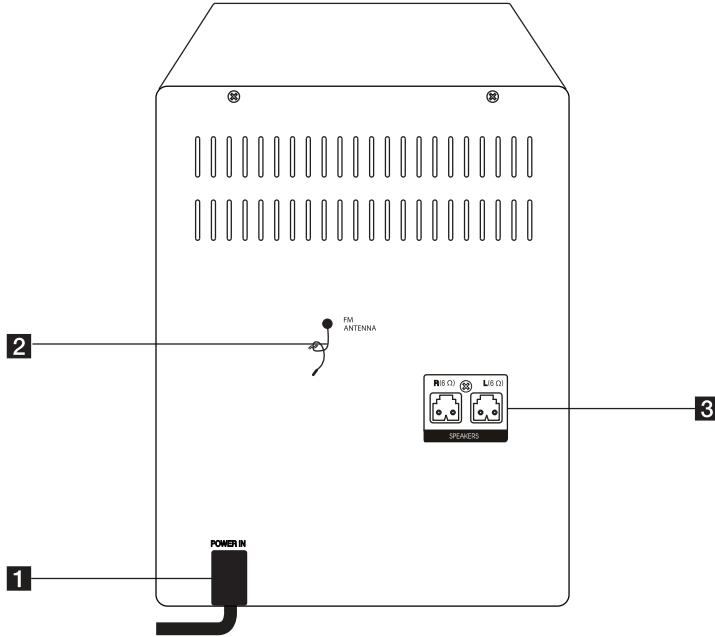
- 7** **FUNC.** (Function)  
Selects the function and input source.
- EQ**  
Chooses sound impressions.
- 8** **PORT.IN**  
Listens to music from your portable device.

**USB Port**  
Plays the audio files by connecting the USB device.

1

Getting Started

# Back Panel



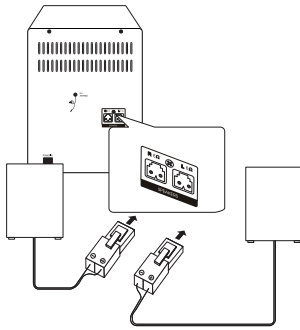
- 1** Power cord
- 2** FM ANTENNA
- 3** SPEAKERS connector (R/L)

## Connecting the speakers to the unit

### Connecting the speakers to the unit

Connect the speaker cable plugs to the SPEAKER connector.

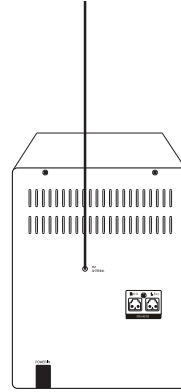
Connect the red cable plug to the **R** connector and the the white one to the **L** connector.



Color	Speaker
Red	Front
White	Front

## Antenna Connection

Be sure to fully extend the FM wire antenna.



2

Connecting

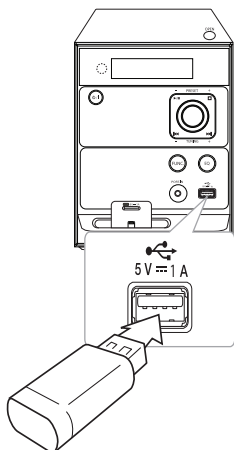
## Optional Equipment Connection

2

Connecting

### USB Connection

Connect the USB Memory (or MP3 player, etc.) to the USB port on the front of the unit.

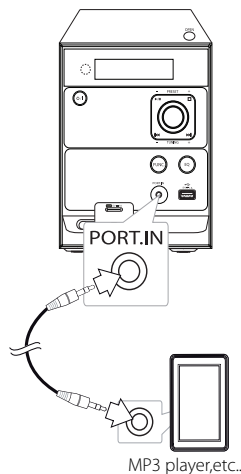


#### ! Note

- Removing the USB Device from the unit
  1. Choose a different function/mode or press **ENTER** on the remote control or **□** on the unit twice in a row.
  2. Remove the USB device from the unit.

### PORT. IN Connection

Connect an output (earphone or line out) of portable device (MP3 or PMP etc) to the PORT. IN connector.



### Listening to music from your external device

The unit can be used to play the music from many types of external device.

1. Connect the external device to the PORT. IN connector of the unit.
2. Turn the power on by pressing **POWER**.
3. Select the PORTABLE function by pressing **FUNC.** on the unit.
4. Turn the external device and start playing music.



## Other Operations

### Programmed Playback

The program function enables you to store your favorite files from any disc or USB device.

A program can contain 20 tracks/files.

1. Insert a CD or a USB and wait for it to be ordered.
2. Press **PROGRAM/MEMO** on the remote control in stop status.
3. Press **◀◀◀/▶▶▶▶▶** to select a track/file.
4. Press **PROGRAM/MEMO** again to save.
5. Repeat steps 3-4 to select a next track/file.
6. Press **▶/||** to play the programmed music tracks/files.
7. To clear your selection, press **■** on the remote twice.

#### Note

The programs are also cleared when the disc or USB device is removed, the unit is powered off or the function is switched to others.

### Displaying file information (ID3 TAG)

While playing an MP3 file containing file information, you can display the information by pressing **INFO**.

### Turn off the sound temporarily

Press **MUTE** on the remote control to mute your sound.

You can mute your sound, for example, to answer the telephone, the mute symbol "M" is displayed in the display window.

To cancel it, press **MUTE** again or change the volume level.

### Auto Power Down

This unit will be off itself to save electronic consumption in the case main unit is not connected to external device and is not used for 25 minutes. So does this unit after 6 hours since Main unit has been connected to other device using analog input.

## Radio Operations

### Listening to the radio

1. Press **FUNCTION** on the remote control or **FUNC.** on the unit until FM appears in the display window.  
The last received station is tuned in.
2. Auto tuning : Press **TUN.-/+** on the remote control or **TUNING -/+** on the unit for about 2 seconds until the frequency indication starts changing, then release. scanning stops when the unit tunes in a station.  
Manual tuning: Press **TUN.-/+** on the remote control or **TUNING -/+** on the unit repeatedly.
3. Adjust the volume by using **VOLUME ^/V** on the remote control or rotate Volume knob on the unit.

### Improving poor FM reception

Press **▶/||** on the remote control. This will change the tuner from stereo to mono. Then the reception will be better than before.

### Presetting the Radio Stations

You can preset 50 stations for FM.

Before tuning, make sure to turn down the volume.

1. Press **FUNCTION** on the remote control or **FUNC.** on the unit until FM appears in the display window.
2. Select the desired frequency by pressing **TUN.-/+** on the remote control or **TUNING -/+** on the unit.
3. Press **PROGRAM/MEMO**. A preset number will blink in the display window.
4. Press **PRESET/FOLDER ^/V** to select the preset number you want.
5. Press **PROGRAM/MEMO**. The station is stored.
6. Repeat steps 2 to 5 to store other stations.
7. To listen a preset station, press **PRESET/FOLDER ^/V**.

### Deleting all the saved stations

1. Press and hold **PROGRAM/MEMO** for two seconds. "ERASE" will blink in the display window.
2. Press **PROGRAM/MEMO** to erase all saved radio stations.

## Sound adjustment

### Setting the surround mode

This system has a number of pre-set surround sound fields. You can select a desired sound mode by using **EQ**.

The displayed items for the Equalizer may be different depending on sound sources and effects.

On Display	Description
AUTO EQ	Sets the sound equalizer on the mode that is the most similar to the genre which is included in the MP3 ID3 tag of song files.
POP CLASSIC JAZZ ROCK	This program lends an enthusiastic atmosphere to the sound, giving you the feeling you are at an actual pop, classic, jazz or rock concert.
BYPASS	You can enjoy the sound without equalizer effect.
BASS BLAST (BASS)	Reinforces the treble, bass and surround sound effect.

#### **Note**

Maybe you need to reset the surround mode, after switching the input, sometimes even after the sound track changed.

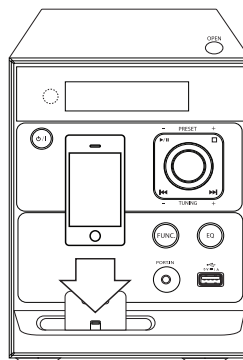
## Advanced Operations

### Playing the iPod/iPhone

You can enjoy Music played back from your iPod/iPhone. For details about iPod/iPhone, refer to the iPod/iPhone User Guide.

#### To connect iPod/iPhone to Dock

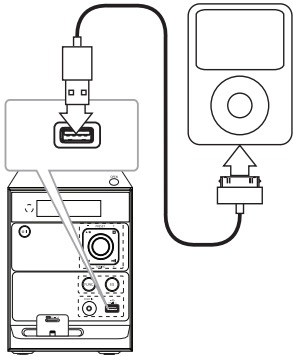
1. If you have Light Connector iPod/iPhone Connector connect the iPod/iPhone to the iPod/iPhone dock. Your iPod/iPhone will be automatically turned on and start recharging
2. Turn the unit on.
3. Press **FUNC.** on the unit or **FUNCTION** on the remote control to select IPOD function.
4. You can use your iPod/iPhone by using the remote control and using your iPod/iPhone.





### To connect iPod/iPhone to USB cable

1. If you have correct 30 pin iPod/iPhone connection, use USB cable to connect your iPod/iPhone to the unit.
2. Turn the unit on.
3. Press **FUNC.** on the unit or **FUNCTION** on the remote control to select USB function. "USB iPod" will appear in the display window.
4. You can use your iPod/iPhone by using the remote control and using your iPod/iPhone.



### Compatible iPod/iPhone

We recommend installing the latest software version.

The unit supports the models as follows.

- iPod touch
- iPod with video
- iPod nano
- iPod mini
- iPod with click wheel
- iPhone 4S
- iPhone 4
- iPhone 3GS
- iPhone 3G
- iPhone 5

Depending on your iPod/iPhone's software version, you may not control your iPod/iPhone from the unit.

To	Do this	
	ON UNIT	ON REMOTE
Pause or restart	>	▶/
Skip	<</>>	◀◀/▶▶
Search	Press and hold  <</>>	Press and hold ◀◀/▶▶
Move to the previous menu	-	REPEAT (MENU)
Move to the desired item	-	PRESET/ FOLDER ^/V
Choose an item	□	■ ENTER

**Note**

- When the unit is turned OFF, the iPod/iPhone can recharge, ONLY using iPod/iPhone Dock, and can NOT recharge, using iPod/iPhone cable.
- An Error can Occur as per below conditions:
  - Your iPod/iPhone is not connected firmly.
  - This unit recognizes your iPod/iPhone as an unknown device.
  - Your iPod/iPhone is exceptionally low in power.
    - ➔ The battery needs to be charged.
    - ➔ If you charge the battery while iPod/iPhone is extremely low in power, it may take longer to be charged.
- Depending on your iPod/iPhone's software version, it may not be possible to control your iPod/iPhone from this unit. We recommend installing the latest software version.
- If you use an application, make a call, or send and receive SMS text message, etc. on iPod touch or iPhone, disconnect it from iPod dock of this unit and then use it.
- If you have a problem with your iPod/iPhone, please visit [www.apple.com/support](http://www.apple.com/support).

# Troubleshooting


Problem	Cause & Correction
No Power.	<ul style="list-style-type: none"> <li>• The power cord is not plugged in. Plug in the power cord.</li> <li>• Check whether electricity failed. Check the condition by operating other electronic devices.</li> </ul>
No sound.	<ul style="list-style-type: none"> <li>• Check whether you select right function. Press <b>FUNC.</b> and check the selected function.</li> <li>• Speaker cables are not connected correctly. Connect the speaker cables correctly.</li> <li>• The volume is set to minimum. Use the Volume Knob to adjust the volume.</li> </ul>
The unit does not start playback.	<ul style="list-style-type: none"> <li>• An unplayable disc is inserted. Insert a playable disc.</li> <li>• No disc is inserted. Insert a disc.</li> <li>• The disc is dirty. Clean the disc. (Refer to the page 22)</li> <li>• The disc is inserted upside down. Place the disc with the label or printed side facing upwards.</li> </ul>
Radio stations cannot be tuned in properly.	<ul style="list-style-type: none"> <li>• The antenna is positioned poorly. Adjust its position.</li> <li>• The signal strength of the radio station is too weak. Tune to the station manually.</li> <li>• No stations have been preset or preset stations have been cleared (when being tuned by scanning preset channels). Preset some radio stations, see page15 for details.</li> </ul>
The remote control does not work properly.	<ul style="list-style-type: none"> <li>• The remote control is not pointed at the remote sensor of the unit. Point the remote control at the remote sensor of the unit.</li> <li>• The remote control is too far from the unit. Operate the remote control within about 16 ft (5 m).</li> <li>• There is an obstacle in the path of the remote control and the unit. Remove the obstacle.</li> <li>• The battery in the remote control is exhausted. Replace the battery with new one.</li> </ul>
iPod/iPhone does not work.	Check whether the iPod/iPhone is connected to the unit correctly. Connect it to the unit correctly.

## Trademarks and Licenses



“Made for iPod”, “Made for iPhone” means that an electronic accessory has been designed to connect specifically to iPod, iPhone respectively, and has been certified by the developer to meet Apple performance standards. Apple is not responsible for the operation of this device or its compliance with safety and regulatory standards. Please note that the use of this accessory with iPod, iPhone may affect wireless performance.

## Specifications

General	
Power supply	Refer to the main label.
Power consumption	Refer to the main label.
Net Weight	1.7 kg
External dimensions (W x H x D)	150 X 200 X 256 mm
Operating conditions Temperature	5 °C to 35 °C (41 °F to 95 °F)
Operating humidity	5 % to 85 %
Bus Power Supply	DC 5 V  1 A

Inputs	
PORT. IN	0.7 Vrms (3.5 mm stereo jack)

Tuner	
FM Tuning Range	87.5 to 108.0 MHz or 87.50 to 108.00 MHz

Amplifier	
Output Power	5 W + 5 W
T.H.D	10 %

CD	
Frequency Response	40 Hz to 20 kHz
Signal-to-noise ratio	70 dB
Dynamic range	55 dB

Speakers	
Type	1way 1speaker.
Impedance	6 Ω
Rated Input Power	5 W
Max. Input Power	10 W
Net Dimensions (WxHxD)	132 X 200 X 141 mm
Net Weight(1EA)	0.8 kg

- Design and specifications are subject to change without notice.

## Maintenance

### Handling the Unit

#### When shipping the unit

Please save the original shipping carton and packing materials. If you need to ship the unit, for maximum protection, re-pack the unit as it was originally packed at the factory.

#### Keeping the exterior surfaces clean

Do not use volatile liquids such as insecticide spray near the unit.

Wiping with strong pressure may damage the surface.

Do not leave rubber or plastic products in contact with the unit for a long period of time.

#### Cleaning the unit

To clean the player, use a soft, dry cloth. If the surfaces are extremely dirty, use a soft cloth lightly moistened with a mild detergent solution. Do not use strong solvents such as alcohol, benzene, or thinner, as these might damage the surface of the unit.

#### Maintaining the Unit

The unit is a high-tech, precision device. If the optical pick-up lens and disc drive parts are dirty or worn, the picture quality could be diminished. For details, please contact your nearest authorized service centre.

## Notes on Discs

### Handling Discs

Never stick paper or tape on the disc.

### Storing Discs

After playing, store the disc in its case. Do not expose the disc to direct sunlight or sources of heat and never leave it in a parked car exposed to direct sunlight.

### Cleaning Discs

Do not use strong solvents such as alcohol, benzene, thinner, commercially available cleaners, or anti-static spray intended for old vinyl records.



